

ReachElite High Punch Powercore gen2, eW 200

Date: _____

Type: _____

Firm Name: _____

Project: _____

**3000 K, 100 to 277 VAC, 3°, Native (no spread lens),
UL/cUL, CE, CQC**

High-performance exterior long-throw floodlight with single temperature white light

ReachElite is a premium exterior long-throw luminaire designed to light large-scale outdoor structures ranging from bridges and facades to monuments and skyscrapers. Powerful enough to hit targets up to 564 m (1,852 ft) away with the 300 W luminaire, ReachElite raises the bar for optical control, performance and beam quality in LED lighting. What sets ReachElite apart from the competition is its application efficiency, high punch, and adaptability. ReachElite delivers high-quality white light exactly where you want it. With a 3° native beam angle ReachElite introduces a new level of precision and punch to the premium exterior LED luminaire market.



- High punch—ReachElite's High Punch optical system enables the layering of precise high quality light. Increased application efficacy is realized as a result of high illuminance sources. As a result luminaires can be placed at far greater distances from surfaces to be illuminated. The native 3° beam angle allows for the light to hit targets up to 564 m (1,852 ft) away using the 300 W luminaire, without sacrificing light efficiency or quality.
- Design flexibility—ReachElite is available in three versions: 100 W, 200 W, and 300 W. Each luminaire contains either one, two, or three 100 W heads that can be aimed independently of each other. This empowers lighting designers to utilize multiple applications and beam direction in a single luminaire.
- Flexible field-installed accessories—Choose from a full line of high-quality accessories, from seven different spread lenses, a louver, full and half glare shields, a rock guard, and a slipfitter mount for all ReachElite luminaires. Color Kinetics accessories make project customization simple.
- Integrates patented Powercore technology—Patented Powercore controls power output to luminaires directly from line voltage - rapidly, efficiently, and accurately.
- Application adaptability—ReachElite High Punch excels in a wide range of lighting applications including spot lighting, and wall grazing. Optional secondary accessories combined with easy precise aiming bring ultimate in system flexibility to customize the look and performance of any project. Precision optical system allows for placement freedom.
- Reliable—ReachElite Powercore provides years of reliable use under rugged conditions. ReachElite offers more protection from corrosion by meeting ASTM B117 standard for > 1,500 hours of corrosion resistance and ANSI C136.31 with a 5G vibration rating (3G with Slipfitter mount), and elimination of water pooling on main cover lens and accessories.
- Precision Dimming—Smooth dimming down to 1% with optional Data Enabler Pro and digital control interface.

For detailed product information, please refer to the ReachElite Product Guide at www.colorkinetics.com/global/products/essentialwhite/reachelite-highpunch-powercore-gen2-ew

Specifications

Due to continuous improvements and innovations, specifications may change without notice.

Output

Color Temperature *	3000 K
Beam Angle	3°
Lumens (no spread lens) †	10,036
Efficacy (lm/W) (no spread lens)	56.7
CRI	80.0

Electrical

Input Voltage	100 to 277 VAC, auto-ranging, 50/60 Hz
Power Consumption (Maximum at full output, steady state)	200 W
Power Factor	0.99 @ 120 VAC 0.81 @ 277 VAC

Surge Limits ¶ 2 kV maximum differential (L to N)
4 kV maximum common (L to Gnd or N to Gnd)

For additional Surge Protection Requirements for LED Lighting Systems, please refer to www.colorkinetics.com/KB/surge-protection.

Control

Dimmer ‡

On/Off; digital dimming by 4 connector cable & DE Pro

Remote Monitoring & Management Works with Interact Landmark

Lumen Maintenance

Threshold§	Ambient Temperature		Reported ¶¶	Calculated ¶¶
	25 °C	50 °C		
L 90	25 °C	50 °C	> 44,202	> 44,202
	50 °C	50 °C	> 44,202	> 44,202
L 80	25 °C	50 °C	>60,000	>100,000
	50 °C	50 °C	>60,000	>100,000
L 70	25 °C	50 °C	>60,000	>100,000
	50 °C	50 °C	>60,000	>100,000
L 50	25 °C	50 °C	-	>100,000
	50 °C	50 °C	-	>100,000

* Correlated color temperature (CCT) complies with ANSI C78.377-2008 for the chromaticity of solid state lighting products.

† ReachElite High Punch Powercore gen2, eW 4000 K lumen output measurements comply with IES LM-79-08 testing procedures. All 3000 K measurements are estimated based on 4000 K measurements. ReachElite 200 and 300 output measurements are estimated based on ReachElite 100 measurements.

§ Lxx = xx% lumen maintenance (when light output drops below xx% of initial output). All values are given at B10, or the median value where 90% of the LED population is better than the reported or calculated lumen maintenance measurement.

¶ Minimum surge limits per IEC 61547, tested in accordance with IEC 61000-4-5.

¶¶ Lumen maintenance figures are based on lifetime prediction graphs supplied by LED source manufacturers. Whenever possible, figures use measurements that comply with IES LM-80-08 testing procedures. In accordance with TM-21-11, Reported values represent the interpolated value based on six times the LM-80-08 total test duration (in hours). Calculated values represent time durations that exceed six times the total test duration.

Physical

Dimensions (Height x Width x Depth)	344.2 x 702.8 x 406 mm (13.56 x 27.68 x 16 in)
Weight	28 kg (61.7 lb)
Effective Projected Area (EPA)	0.252 m² (2.71 ft²) With full glare shield.

Housing Material	Die-cast aluminium, black powder-coated finish
Lens	Clear tempered glass
Luminaire Connections	Integral male/female waterproof connector

Temperature Ranges

-40 to 50 °C (-40 to 122 °F) Operating
-20 to 50 °C (-4 to 122 °F) Startup
-40 to 80 °C (-40 to 176 °F) Storage

Vibration Resistance

ANSI C136.31 with a 5G vibration rating (3G with Slipfitter mount)

Mechanical Impact IK09 (IK10 with Louver or Wire Rock Guard accessory.)

Corrosion Resistance

Complies with ASTM B117 standard for > 1,500 hours

Humidity 0 to 95%, non-condensing

Thermal Protection enabled

For additional Thermal Protection information, please refer to <https://colorkinetics.helpdocs.io/article/sh301ducix>

Luminaire Run Lengths

To calculate luminaire run lengths and total power consumption for your specific installation, download the Configuration Calculator from www.colorkinetics.com/support/install_tool/

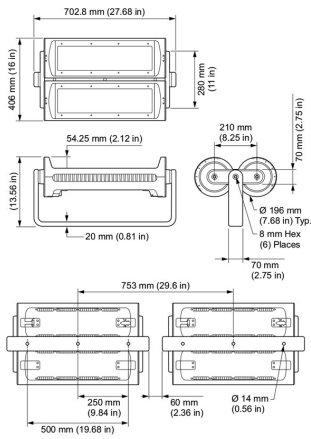
Certification and Safety

Approbation	UL/cUL, FCC Class A, CE, PSE, CQC, RCM
Environment	Dry/Damp/Wet Location, IP66

For additional Energy Efficiency Class Information, please refer to <https://colorkinetics.helpdocs.io/article/cviis2p8qq>.



Dimensions



Photometrics 3000 K, 100 W, 3°, Native (no spread lens)

Beam Angle	3°
LED	3000 K
Lumens (no spread lens)	5,018.0
Efficacy (lm/W) (no spread lens)	56.7

Illuminance at Distance



Distance	Center Beam fc	Beam Width	
		ft	in
4 ft	59,967.5 fc	0.2 ft	0.2 ft
8 ft	14,991.9 fc	0.4 ft	0.4 ft
12 ft	6,663.1 fc	0.7 ft	0.7 ft
16 ft	3,748.0 fc	0.9 ft	0.9 ft
20 ft	2,398.1 fc	1.1 ft	1.1 ft
24 ft	1,665.8 fc	1.3 ft	1.3 ft

306.0 m (1004 ft)
1 fc maximum distance

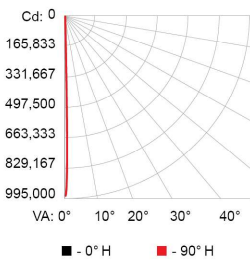
Vert. Spread: 3.2°
Horiz. Spread: 3.1°

Zonal Lumen

Zone	Lumens	% Luminaire
0-30	4733.5	94.3%
0-40	4822.1	96.1%
0-60	4967.3	99.0%
60-90	50.8	1.0%
70-100	15.7	0.3%
90-120	0.0	0.0%
0-90	5018.1	100.0%
90-180	0.0	0.0%
0-180	5018.1	100.0%

For lux multiply fc by 10.7

Polar Candela Distribution



VA	0°	10°	20°	30°	40°
0	959480	959480	959480	959480	959480
5	7722	9290	12249	18706	25252
15	572	586	623	708	780
25	217	201	208	233	239
35	120	112	116	147	145
45	79	77	83	99	99
55	55	46	53	133	125
65	27	26	30	38	38
75	12	11	11	13	12
85	1	1	1	1	0
90	0	0	0	0	0

Coefficients of Utilization - Zonal Cavity Method

Effective Floor Cavity Reflectance: 20%

RCC %:	80				70				50				30				10				0
RW %:	70	50	30	0	70	50	30	0	50	30	20	50	30	20	50	30	20	50	30	20	0
0	1.19	1.19	1.19	1.19	1.16	1.16	1.16	1.00	1.11	1.11	1.11	1.06	1.06	1.06	1.02	1.02	1.02	1.00	1.00	1.00	1.00
1	1.16	1.14	1.13	1.11	1.14	1.12	1.11	0.99	1.08	1.07	1.06	1.05	1.04	1.03	1.01	1.01	1.00	0.99	0.99	0.99	0.99
2	1.13	1.11	1.08	1.06	1.11	1.09	1.07	0.98	1.06	1.04	1.03	1.03	1.02	1.01	1.01	1.00	0.99	0.97	0.97	0.97	0.97
3	1.11	1.08	1.05	1.03	1.09	1.06	1.04	0.97	1.04	1.02	1.00	1.02	1.00	0.99	1.00	0.99	0.98	0.96	0.96	0.96	0.96
4	1.09	1.05	1.02	1.00	1.08	1.04	1.02	0.96	1.02	1.00	0.99	1.01	0.99	0.98	0.99	0.98	0.98	0.96	0.96	0.96	0.96
5	1.07	1.03	1.00	0.96	1.06	1.03	1.00	0.95	1.01	0.99	0.97	1.00	0.98	0.98	0.98	0.97	0.98	0.95	0.95	0.95	0.95
6	1.06	1.02	0.99	0.97	1.05	1.01	0.99	0.95	1.00	0.98	0.96	0.99	0.97	0.95	0.98	0.96	0.95	0.94	0.94	0.94	0.94
7	1.05	1.00	0.98	0.96	1.04	1.00	0.97	0.94	0.99	0.97	0.95	0.98	0.96	0.95	0.97	0.96	0.94	0.94	0.94	0.94	0.94
8	1.04	0.99	0.97	0.95	1.03	0.99	0.96	0.94	0.98	0.96	0.94	0.97	0.95	0.94	0.97	0.95	0.94	0.93	0.93	0.93	0.93
9	1.03	0.98	0.96	0.94	1.02	0.98	0.96	0.93	0.97	0.95	0.94	0.97	0.95	0.93	0.96	0.95	0.93	0.93	0.93	0.93	0.93
10	1.02	0.98	0.95	0.94	1.01	0.97	0.95	0.93	0.97	0.95	0.93	0.96	0.94	0.93	0.96	0.94	0.93	0.92	0.92	0.92	0.92

Luminaire and Accessories

Use Item Number when ordering in North America

Luminaire	Item Number	Item 12NC
ReachElite High Punch Powercore gen2, eW 200, 3000 K, 100 to 277 VAC, 3°, Native (no spread lens), UL/cUL, CE, CQC Luminaire only. Leader cable sold separately.	523-000204-01	912400137783
Accessories		
Slipfitter Mount, 2-3/8in	120-000197-04	912400135534
Louver	120-000197-02	912400135532
Rock Guard	120-000197-03	912400135533
Half Glare Shield	120-000197-01	912400135531
Full Glare Shield	120-000197-00	912400135530
Spread Lens With Trim Bezel, 10°	120-000197-07	912400135537
Spread Lens With Trim Bezel, 20°	120-000197-08	912400135538
Spread Lens With Trim Bezel, 40°	120-000197-09	912400135539
Spread Lens With Trim Bezel, 60°	120-000197-10	912400135540
Spread Lens With Trim Bezel, 80°	120-000197-11	912400135541
Spread Lens With Trim Bezel, 10° x 40°	120-000197-12	912400135542
3 Conductor Leader Cable, For use with all ReachElite family luminaires, 100 to 277 VAC, 15.2 m (50 ft), UL	108-000056-00	910503703138
3 Conductor Leader Cable, For use with all ReachElite family luminaires, 100 to 277 VAC, 15.2 m (50 ft), CE	108-000056-01	910503704069
3 Conductor Leader Cable, For use with all ReachElite family luminaires, 100 to 277 VAC, 3 m (10 ft), UL	108-000056-03	910503704066
3 Conductor Leader Cable, For use with all ReachElite family luminaires, 100 to 277 VAC, 3 m (10 ft), CE	108-000056-04	910503704067
3 Conductor Leader Cable, For use with all ReachElite family luminaires, 100 to 277 VAC, 3 m (10 ft), BIS	108-000056-06	912400137375
4 Conductor Leader Cable, For use with ReachElite luminaires, 15.2 m (50 ft), UL (for digital dimming)	108-000055-00	910503703137
4 Conductor Leader Cable, For use with ReachElite luminaires, 15.2 m (50 ft), CE/PSE (for digital dimming)	108-000055-01	910503704064
4 Conductor Leader Cable, For use with ReachElite luminaires, 3 m (10 ft), UL (for digital dimming)	108-000055-03	910503704066
4 Conductor Leader Cable, For use with ReachElite luminaires, 3 m (10 ft), Black, CE/PSE (for digital dimming)	108-000055-04	910503704067
4 Conductor Leader Cable, For use with ReachElite luminaires, 3 m (10 ft), BIS (for digital dimming)	108-000055-13	912400137373
Power Supplies		
Data Enabler Pro, 3/4 in / 1/2 in NPT (U.S. trade size conduit) - required for digital dimming	106-000004-00	910503701210
Data Enabler Pro, PG21/PG13 (metric size conduit) - required for digital dimming	106-000004-01	910503701211

