

Project Name:	Type:
Part Number:	Date:



GREENCREATIVE

# EXTERNAL DRIVER T8

## FEATURES

- Replaces 2' / 3' / 4' / U bent T8 fluorescent lamp
- **Compatible with GREEN CREATIVE external drivers only**
- Flicker Free (percent flicker and flicker index are less than one percent)
- Utilizes existing lamp holders – shunted or non-shunted
- Ultra-high efficacy up to 158 LPW
- Opaque glass lens reduces glare
- 310° wide light emitting area
- 0-10V dimming (dims to 10%)\*
- Parallel output driver requires no minimum lamp load to operate properly
- Suitable for use in enclosed fixture and damp location
- Meets NSF Requirements (use of a shatter guard required)
- Fixture operating temperature: -4°F to 95°F (-20°C to 35°C)
- Lamp ambient temperature: -4°F to 113°F (-20°C to 45°C)
- Rated lifetime (L70) up to: 60,000hrs
- 5 year limited warranty\*\* / 10 year available  
(see EXTENDED WARRANTIES table for information)
- Suitable for all indoor general lighting applications



011325



## SPECIFICATIONS - LAMP

Product	Model	Nominal Length	Equiv.	Life (hrs)	Wattage	Lumens	CCT	CRI	Efficacy (LPW)	Beam Angle	DLC	DOE
35675	14T8/4F/835/EXT	4'	32W	60,000	14	2,000	3500K	82	143	220°	√	√
37126	14T8/4F/840/EXT/R	4'	32W	60,000	14	2,050	4000K	82	146	220°	√	√
37127	14T8/4F/850/EXT/R	4'	32W	60,000	14	2,050	5000K	82	146	220°	√	√
98331	11.5T8/4F/830/EXT	4'	32W	60,000	11.5	1,600	3000K	82	139	220°	√	√
37121	11.5T8/4F/830/EXT/R	4'	32W	60,000	11.5	1,600	3000K	82	139	220°	√	√
98332	11.5T8/4F/835/EXT	4'	32W	60,000	11.5	1,650	3500K	82	143	220°	√	√
98333	11.5T8/4F/840/EXT	4'	32W	60,000	11.5	1,700	4000K	82	148	220°	√	√
37123	11.5T8/4F/840/EXT/R	4'	32W	60,000	11.5	1,700	4000K	82	148	220°	√	√
37124	11.5T8/4F/850/EXT/R	4'	32W	60,000	11.5	1,700	5000K	82	148	220°	√	√
98329	10.5T8/3F/835/EXT	3'	25W	60,000	10.5	1,500	3500K	82	143	220°	√	√
98330	10.5T8/3F/840/EXT	3'	25W	60,000	10.5	1,600	4000K	82	152	220°	√	√
98326	9.5T8/2F/835/EXT	2'	17W	60,000	9.5	1,400	3500K	82	147	220°	√	√
98327	9.5T8/2F/840/EXT	2'	17W	60,000	9.5	1,500	4000K	82	158	220°	√	√
35671	9.5T8/2F/850/EXT	2'	17W	60,000	9.5	1,500	5000K	82	158	220°	√	√
98337	14.5T8U6/830/EXT	U-6	32W	60,000	14.5	2,000	3000K	82	138	220°	√	√
35461	14.5T8U6/835/EXT	U-6	32W	60,000	14.5	2,000	3500K	82	138	220°	√	√
98338	14.5T8U6/840/EXT	U-6	32W	60,000	14.5	2,200	4000K	82	152	220°	√	√

\* This lamp might not be compatible with all dimmers. Please visit [www.greencreative.com](http://www.greencreative.com) for compatibility information.

\*\* Please visit [www.greencreative.com](http://www.greencreative.com) for Limited Warranty terms.



# EXTERNAL DRIVER T8

## SPECIFICATIONS - EXTERNAL DRIVER

Product	Model	Max. Lamp Quantity	Input Voltage (V)	Input Freq. (Hz)	Max. Input Current (A)	Output Voltage (V)	Output Current (A)	Dim.	Max Case Temperature (°C/°F)	Power Factor	THD
98259	15T8T5HEDRIVER/2CH/R	2	120-277	50/60	0.31	DC 30-48	0.3 * 2	0-10V	90/194	0.9	<20%
98260	15T8T5HEDRIVER/4CH/R	4	120-277	50/60	0.6	DC 30-48	0.3 * 4	0-10V	90/194	0.9	<20%

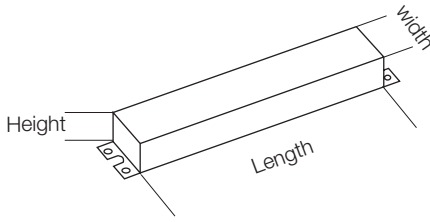
## SPECIFICATIONS - LAMP & DRIVER SYSTEM

External Driver Information			98259				98260				
			15T8T5HEDRIVER/2CH/R				15T8T5HEDRIVER/4CH/R				
Lamp Information			1 Lamp		2 Lamps		3 Lamps		4 Lamps		
			Product	Model	CCT	System Power	Flux	System Power	Flux	System Power	Flux
	35675	14T8/4F/835/EXT	3500K	16	2,000	32	4,000	48	6,000	64	8,000
	37126	14T8/4F/840/EXT/R	4000K	16	2,050	32	4,100	48	6,150	64	8,200
	37127	14T8/4F/850/EXT/R	5000K	16	2,050	32	4,100	48	6,150	64	8,200
	98331	11.5T8/4F/830/EXT	3000K	13	1,600	26	3,200	39	4,800	52	6,400
	37121	11.5T8/4F/830/EXT/R	3000K	13	1,600	26	3,200	39	4,800	52	6,400
	98332	11.5T8/4F/835/EXT	3500K	13	1,650	26	3,300	39	4,950	52	6,600
	98333	11.5T8/4F/840/EXT	4000K	13	1,700	26	3,400	39	5,100	52	6,800
	37123	11.5T8/4F/840/EXT/R	4000K	13	1,700	26	3,400	39	5,100	52	6,800
	37124	11.5T8/4F/850/EXT/R	5000K	13	1,700	26	3,400	39	5,100	52	6,800
	98328	10.5T8/3F/830/EXT	3000K	12.5	1,450	25	2,900	37.5	4,350	50	5,800
	98329	10.5T8/3F/835/EXT	3500K	12.5	1,500	25	3,000	37.5	4,500	50	6,000
	98330	10.5T8/3F/840/EXT	4000K	12.5	1,600	25	3,200	37.5	4,800	50	6,400
	98326	9.5T8/2F/835/EXT	3500K	11	1,400	22	2,800	33	4,200	44	5,600
	98327	9.5T8/2F/840/EXT	4000K	11	1,500	22	3,000	33	4,500	44	6,000
	35671	9.5T8/2F/850/EXT	5000K	11	1,500	22	3,000	33	4,500	44	6,000
	98337	14.5T8U6/830/EXT	3000K	17	2,000	34	4,000	51	6,000	68	8,000
	35461	14.5T8U6/835/EXT	3500K	17	2,000	34	4,000	51	6,000	68	8,000
	98338	14.5T8U6/840/EXT	4000K	17	2,200	34	4,400	51	6,600	68	8,800

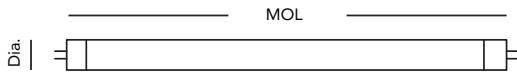


# EXTERNAL DRIVER T8

## DIMENSION & WEIGHT



Model	15T8T5HEDRIVER/2CH/R 15T8T5HEDRIVER/4CH/R
Length	9-1/2"
Width	1-5/16"
Height	1-3/16"
Weight	1.0 lb



Model	9.5T8/2F/xxx/EXT	10.5T8/3F/xxx/EXT	11.5T8/4F/xxx/EXT 14T8/4F/xxx/EXT/R	11.5T8/4F/xxx/EXT/R 14T8/4F/xxx/EXT/R
Base	G13	G13	G13	
MOL	23-3/4"	35-3/4"	47-3/4"	
Dia.	1-1/8"	1-1/8"	1-1/8"	
Weight	0.26lb	0.4lb	0.49lb	



Model	14.5T8U6/xxx/EXT
Base	G13
MOL	22-7/16"
Dia.	7-1/16"
Weight	0.56lb

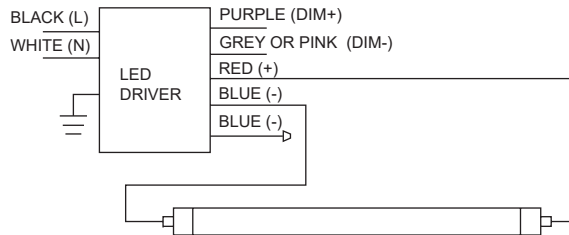
Where xxx means 824-965 which indicates CRI and color temperature

## INSTALLATION

### Double-ended Installation

- For shunted & non-shunted lamp holders
- Not polarity sensitive, lamps can be wired at either end

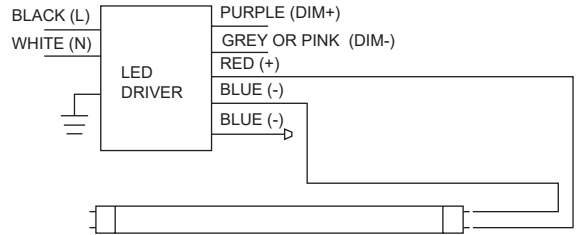
#### 1 LAMP



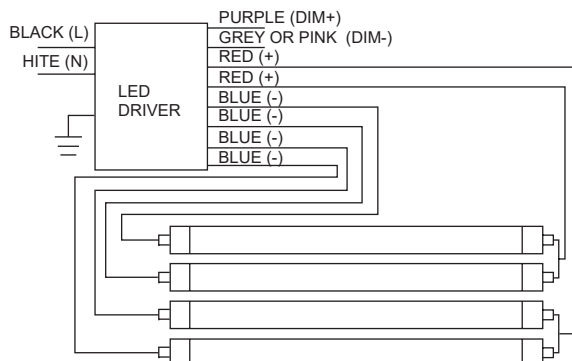
### Single-ended Installation

- For non-shunted lamp holders only
- Not polarity sensitive, lamps can be wired at either end

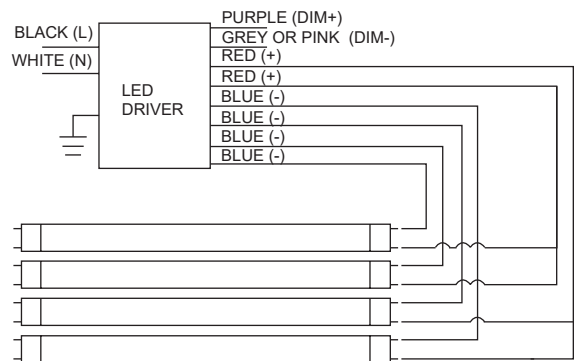
#### 1 LAMP



#### 4 LAMPS



#### 4 LAMPS



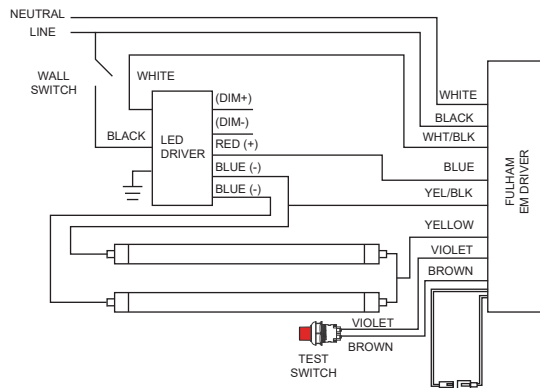


# EXTERNAL DRIVER T8

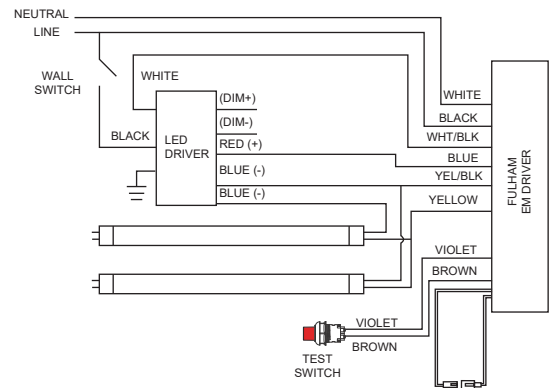
ACCESSORY ORDERING INFORMATION					
Product	Model	Description	Pictures	Dimensions	Compatible Skus
FHSCP-UNV-10.7WL	FHSCP-UNV-10.7WL	FHSCP-UNV-10.7WL			9.5T8/2F/8xx/EXT 10.5T8/3F/8xx/EXT 11.5T8/4F/8xx/EXT 14T8/4F/8xx/EXT 14.5T8U6/8xx/EXT 11.5T8/4F/8xx/EXT/R 14T8/4F/8xx/EXT/R
35799	FU17W/T5T8/EXT/EMDRIVER	FHSCP-UNV-17WL			14.5T8U6/8xx/EXT
37934	8EMINVERTER	California Title 20 Compliant 8W Emergency LED Inverter (Field Installation)			9.5T8/2F/8xx/EXT 10.5T8/3F/8xx/EXT 11.5T8/4F/8xx/EXT 11.5T8/4F/8xx/EXT/R 14T8/4F/8xx/EXT 14T8/4F/8xx/EXT/R 14.5T8U6/8xx/EXT
37935	21EMINVERTER	California Title 20 Compliant 21W Emergency LED Inverter (Field Installation)			9.5T8/2F/8xx/EXT 10.5T8/3F/8xx/EXT 11.5T8/4F/8xx/EXT 11.5T8/4F/8xx/EXT/R 14T8/4F/8xx/EXT 14T8/4F/8xx/EXT/R 14.5T8U6/8xx/EXT

## FULHAM EMERGENCY DRIVER INSTALLATION

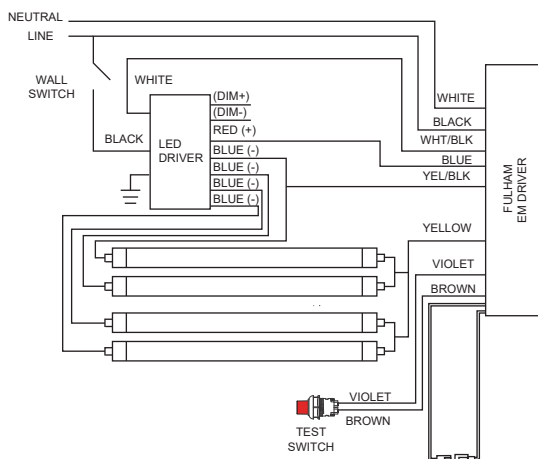
1 LAMP



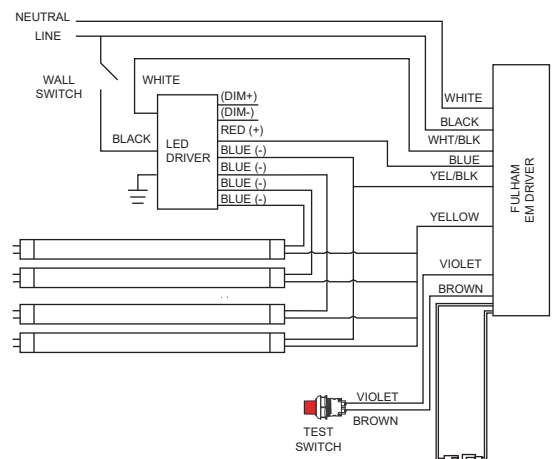
1 LAMP



4 LAMPS



4 LAMPS



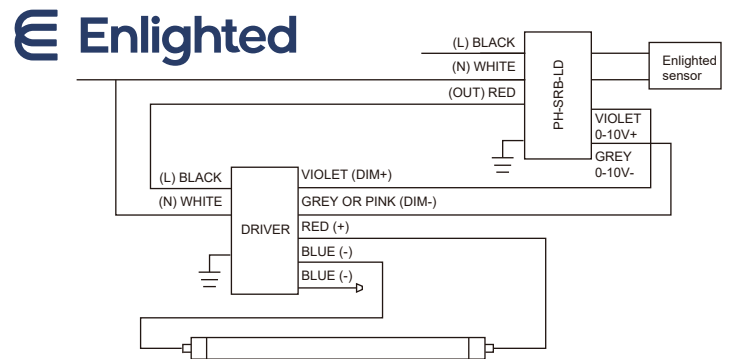
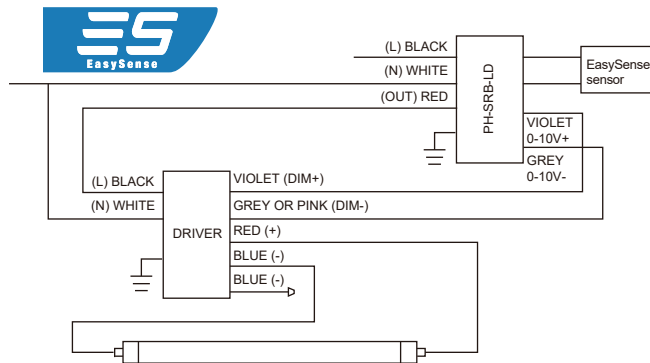


# EXTERNAL DRIVER T8

## CONTROL ORDERING INFORMATION

Product	Model	Description	Picture	Dimension
98517	PH-SRB-LD	Titanium SR Bridge - Side Entry - Field installation and Wiring		
98518	PH-SNS2000CMP	Easy Sense Ceiling Mount Sensor (SNS200) - Field installation and Wiring		
KIT-SU-5E-D-CL	KIT-SU-5E-D-CL	Enlighted SU-5E Micro Sensor With 2-Wire Connection, Connected Lighting - Field installation and Wiring		
KIT-SU-5E-D-IL	KIT-SU-5E-D-IL	Enlighted SU-5E Micro Sensor With 2-Wire Connection, Enlighted One - Field installation and Wiring		
KIT-SU-5E-D-IOT	KIT-SU-5E-D-IOT	Enlighted SU-5E Micro Sensor With 2-Wire Connection, IoT Node - Field installation and Wiring		
HCMC-SU-5E	HCMC-SU-5E	Carrier for mounting KI-SU-5E-D Micro sensor in thick materials such as drywalls, ceiling tiles, plywood, etc – Field installation		

## COMPATIBLE CONTROL SYSTEMS





# EXTERNAL DRIVER T8

## DLC KITS REFERENCES

T8 4'				
Model No. (DLC)	Lamp Model	Lamp Qty	External Driver Model	DLC Product ID
14T8/4F/840/EXT/RC/A2	37126 14T8/4F/840/EXT/R	2	98259 15T8T5HEDRIVER/2CH/R	S-58Z3IR
14T8/4F/840/EXT/RC/A3		3	98260 15T8T5HEDRIVER/4CH/R	S-PZB4XT
14T8/4F/840/EXT/RC/A4		4		S-HD7WKE
14T8/4F/850/EXT/RC/A2	37127 14T8/4F/850/EXT/R	2	98259 15T8T5HEDRIVER/2CH/R	S-T24AO3
14T8/4F/850/EXT/RC/A3		3	98260 15T8T5HEDRIVER/4CH/R	S-EGKI4U
14T8/4F/850/EXT/RC/A4		4		S-LMGO9C
14T8/4F/840/EXT/A2/R	98335 14T8/4F/840/EXT	2	98259 15T8T5HEDRIVER/2CH/R	PLJEY782DG5H
14T8/4F/840/EXT/A3/R		3	98260 15T8T5HEDRIVER/4CH/R	PL577Q8YX12C
14T8/4F/840/EXT/A4/R		4		PL48C1A62CV5
14T8/4F/850/EXT/A2/R	98336 14T8/4F/850/EXT	2	98259 15T8T5HEDRIVER/2CH/R	PL1QQZ0JRVEX
14T8/4F/850/EXT/A3/R		3	98260 15T8T5HEDRIVER/4CH/R	PLWIB5CH1B3Q
14T8/4F/850/EXT/A4/R		4		PL001QHCVCL2
11.5T8/4F/830/EXT/RC/A2	37121 11.5T8/4F/830/EXT/R	2	98259 15T8T5HEDRIVER/2CH/R	S-IFE6Y3
11.5T8/4F/830/EXT/RC/A3		3	98260 15T8T5HEDRIVER/4CH/R	S-RCVEMF
11.5T8/4F/830/EXT/RC/A4		4		S-L145SF
11.5T8/4F/835/EXT/RC/A2	37122 11.5T8/4F/835/EXT/R	2	98259 15T8T5HEDRIVER/2CH/R	S-92UVRO
11.5T8/4F/835/EXT/RC/A3		3	98260 15T8T5HEDRIVER/4CH/R	S-ZAW14Q
11.5T8/4F/835/EXT/RC/A4		4		S-XIZTNB
11.5T8/4F/840/EXT/RC/A2	37123 11.5T8/4F/840/EXT/R	2	98259 15T8T5HEDRIVER/2CH/R	S-FJZM7Y
11.5T8/4F/840/EXT/RC/A3		3	98260 15T8T5HEDRIVER/4CH/R	S-AB78X1
11.5T8/4F/840/EXT/RC/A4		4		S-FQGVEZ
11.5T8/4F/850/EXT/RC/A2	37124 11.5T8/4F/850/EXT/R	2	98259 15T8T5HEDRIVER/2CH/R	S-YNCF86
11.5T8/4F/850/EXT/RC/A3		3	98260 15T8T5HEDRIVER/4CH/R	S-1OLA5T
11.5T8/4F/850/EXT/RC/A4		4		S-QM4D0Y
11.5T8/4F/830/EXT/A2/R	98331 11.5T8/4F/830/EXT	2	98259 15T8T5HEDRIVER/2CH/R	PL2SX5VMBI3V
11.5T8/4F/830/EXT/A3/R		3	98260 15T8T5HEDRIVER/4CH/R	PL5XI9LML290
11.5T8/4F/830/EXT/A4/R		4		PL56XHSX9YM3
11.5T8/4F/835/EXT/A2/R	98332 11.5T8/4F/835/EXT	2	98259 15T8T5HEDRIVER/2CH/R	PLH64RBZNOEA
11.5T8/4F/835/EXT/A3/R		3	98260 15T8T5HEDRIVER/4CH/R	PLW2CRRZ7MW3
11.5T8/4F/835/EXT/A4/R		4		PLNP1OT7W2T0
11.5T8/4F/840/EXT/A2/R	98333 11.5T8/4F/840/EXT	2	98259 15T8T5HEDRIVER/2CH/R	PLCLA8S3KCXT
11.5T8/4F/840/EXT/A3/R		3	98260 15T8T5HEDRIVER/4CH/R	PL9MLMV0UDK7
11.5T8/4F/840/EXT/A4/R		4		PL5VTYLAXX7X
11.5T8/4F/850/EXT/A2/R	98334 11.5T8/4F/850/EXT	2	98259 15T8T5HEDRIVER/2CH/R	PL5ZM032EK83
11.5T8/4F/850/EXT/A3/R		3	98260 15T8T5HEDRIVER/4CH/R	PL0J7C9IU8WZ
11.5T8/4F/850/EXT/A4/R		4		PLQTXUQNI33X



# EXTERNAL DRIVER T8

## DLC KITS REFERENCES

T8 3'				
Model No. (DLC)	Lamp Model	Lamp Qty	External Driver Model	DLC Product ID
10.5T8/3F/830/EXT/A2/R	98328 10.5T8/3F/830/EXT	2	98259 15T8T5HEDRIVER/2CH/R	PL74PJLNCZAX
10.5T8/3F/835/EXT/A2/R	98329 10.5T8/3F/835/EXT	2		PLN8BUPRKXUI
10.5T8/3F/840/EXT/A2/R	98330 10.5T8/3F/840/EXT	2		PL8BEF279780
T8 2'				
Model No. (DLC)	Lamp Model	Lamp Qty	External Driver Model	DLC Product ID
9.5T8/2F/830/EXT/A2/R	98325 9.5T8/2F/830/EXT	2	98259 15T8T5HEDRIVER/2CH/R	PLM8D0P0F40J
9.5T8/2F/830/EXT/A3/R		3	98260 15T8T5HEDRIVER/4CH/R	PLI2CYURPJJK
9.5T8/2F/830/EXT/A4/R		4		PLTI905OYXXP
9.5T8/2F/835/EXT/A2/R	98326 9.5T8/2F/835/EXT	2	98259 15T8T5HEDRIVER/2CH/R	PLGPR73K3M4F
9.5T8/2F/835/EXT/A3/R		3	98260 15T8T5HEDRIVER/4CH/R	PLAPZOXUMXIT
9.5T8/2F/835/EXT/A4/R		4		PL72NX2CJI0V
9.5T8/2F/840/EXT/A2/R	98327 9.5T8/2F/840/EXT	2	98259 15T8T5HEDRIVER/2CH/R	PLFTE8GCMPQM
9.5T8/2F/840/EXT/A3/R		3	98260 15T8T5HEDRIVER/4CH/R	PLL1ZDVYC90G
9.5T8/2F/840/EXT/A4/R		4		PLZ6P9IX9XET

## ORDERING INFORMATION

Product Series	Master Carton			Shipping Carton		
	Case QTY	Case Dimensions (LxWxH)	Case Weight	Case QTY	Case Dimensions (LxWxH)	Case Weight
14T8/4F/8XX/EXT	N.A	N.A	N.A	25	49-1/4" x7-7/8" x 7-7/8"	14.6 lb
14T8/4F/8XX/EXT/R	N.A	N.A	N.A	25	49-1/4" x7-7/8" x 7-7/8"	13.67 lb
11.5T8/4F/8XX/EXT	N.A	N.A	N.A	25	49-1/4" x7-7/8" x 7-7/8"	14.6 lb
11.5T8/4F/8XX/EXT/R	N.A	N.A	N.A	25	49-1/4" x7-7/8" x 7-7/8"	13.67 lb
10.5T8/3F/8XX/EXT	N.A	N.A	N.A	25	37-7/16" x7-7/8" x 7-7/8"	11.24 lb
9.5T8/2F/8XX/EXT	N.A	N.A	N.A	25	25" x 6-1/8" x 5"	5.73 lb
14.5T8U6/8XX/EXT	1	23-5/8" x 8-1/4" x1-3/4"	1.12 lb	12	24-7/16" x 17-1/8" x 10-5/8"	13.45 lb
15T8T5HEDRIVER/SD/2CH	6	9-7/8" x 5-5/8" x 2-3/4"	5.69 lb	24	11-7/8" x 10-5/6" x 6-11/16"	22.82 lb
15T8T5HEDRIVER/SD/4CH	6	9-7/8" x 5-5/8" x 2-3/4"	6.22 lb	24	11-7/8" x 10-5/6" x 6-11/16"	24.69 lb

xx - Refers to the CCT

Note: All rights reserved. All sizes and specifications are subject to change at any time without notice.



# EXTERNAL DRIVER T8

## COMPATIBILITY WITH FULHAM EM DRIVER

Type	Model No	Lumen output level at EM mode	
		FHSCP-UNV-10.7WL	FHSCP-UNV-17WL
T8	9.5T8/2F/8XX/EXT	113%	-
	10.5T8/3F/8XX/EXT	102%	-
	11.5T8/4F/8XX/EXT 11.5T8/4F/xxx/EXT/R	93%	-
	14T8/4F/8XX/EXT 14T8/4F/8XX/EXT/R	76%	-
	14.5T8U6/8XX/EXT	74%	117%

## EXTENDED WARRANTIES\*\*

Model	Description***
9.5T8/2F/EXT/10YEARWARRANTY	10 Year warranty for 9.5T8/2F/8xx/EXT/yy
10.5T8/3F/EXT/10YEARWARRANTY	10 Year warranty for 10.5T8/3F/8xx/EXT/yy
11.5T8/4F/EXT/10YEARWARRANTY	10 Year warranty for 11.5T8/4F/8xx/EXT/yy
14T8/4F/EXT/10YEARWARRANTY	10 Year warranty for 14T8/4F/8xx/EXT/yy
14.5T8/U6/EXT/10YEARWARRANTY	10 Year warranty for 14.5T8U6/8xx/EXT/yy

\*\* Warranty based on a maximum of 4,368 annual operating hours (per year for ten years) and exposure to a maximum fixture operating temperature of 80°F / 27°C.

\*\*\* xx – Refers to the CCT yy – Refers to model generations within the same nominal performance. Typically blank, 'R', or 'RC'