



LED Designer Deco

26UFO/PER/830/FR/P/E26/ND 4/1PF

Philips LED Designer Deco lamps allow you to maintain a warm, classic light or a modern, chic effect while providing longer life and energy savings

Product data

General Information	
Cap-Base	E26 [Single Contact Medium Screw]
Nominal lifetime	15,000 hour(s)
Switching Cycle	50,000
Rated Lifetime (Hours)	15,000 hour(s)
Lighting Technology	LED
Light Technical	
Color Code	830 [CCT of 3000K]
Color Code	830 [CCT of 3000K]
Beam Angle (Nom)	120 degree(s)
Luminous Flux	1,950 lm
Color Designation	White (WH)
Correlated Color Temperature (Nom)	3000 K
Luminous Efficacy (rated) (Nom)	75 lm/W
Color Consistency	<6
Color rendering index (CRI)	80
LLMF At End Of Nominal Lifetime (Nom)	70 %
Operating and Electrical	
Line Frequency	50 to 60 Hz
Input Frequency	50 to 60 Hz
Power Consumption	26 W
Lamp Current (Nom)	360 mA
Wattage Equivalent	125 W

Starting Time (Nom)	0.5 s
Warm-up time to 60% light	0.5 s
Power Factor (Fraction)	0.5
Voltage (Nom)	110-240 V
Temperature	
T-Case Maximum (Nom)	162 °F
Controls and Dimming	
Dimmable	No
Mechanical and Housing	
Bulb Finish	Frosted
Bulb Material	Plastic
Bulb Shape	Others
UL Wet/ damp/ dry location	Damp location
Net Weight (Piece)	0.562 lb
Approval and Application	
EU RoHS compliant	Yes
EyeComfort	Yes
T20 compliant	No
LED Innovations	EyeComfort
Ambient temperature range	-4 °F to 113 °F

LED Designer Deco

Application Conditions

can it be used in closed luminaires No

Product Data

Order product name	26UFO/PER/830/FR/P/E26/ND 4/1PF
Full product name	26UFO/PER/830/FR/P/E26/ND 4/1PF
Full product code	871951441031200
Order code	577007

Material Nr. (12NC) 929002010753

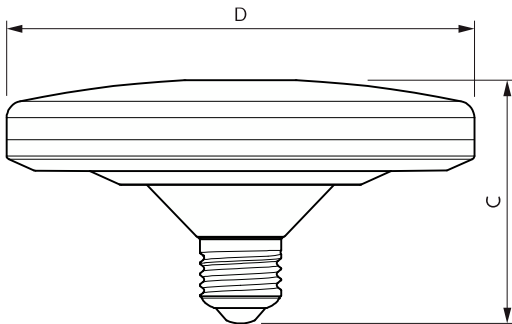
Numerator - Quantity Per Pack 1

EAN/UPC - Product/Case 046677577001

Numerator - Packs per outer box 4

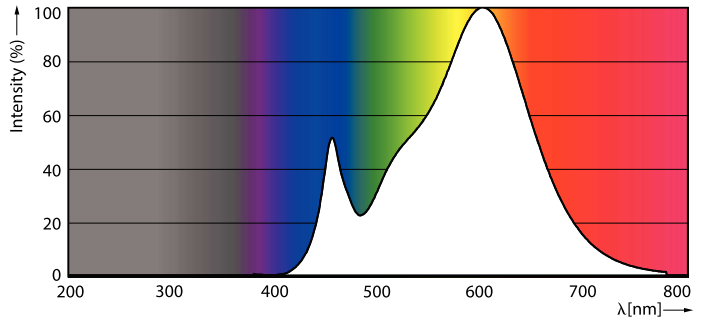
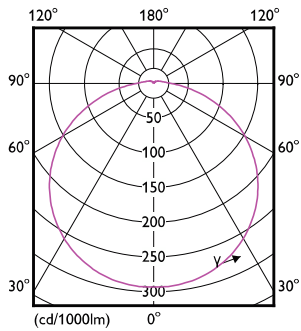
EAN/UPC - Case 50046677577006

Dimensional drawing



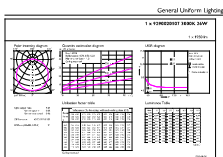
Product	D	C
26UFO/PER/830/FR/P/E26/ND 4/1PF	7-7/8 inch	3-1/16 inch

Photometric data



Light Distribution Diagram - 26UFO/PER/830/FR/P/E26/ND 4/1PF

Spectral Power Distribution Colour - 26UFO/PER/830/FR/P/E26/ND 4/1PF

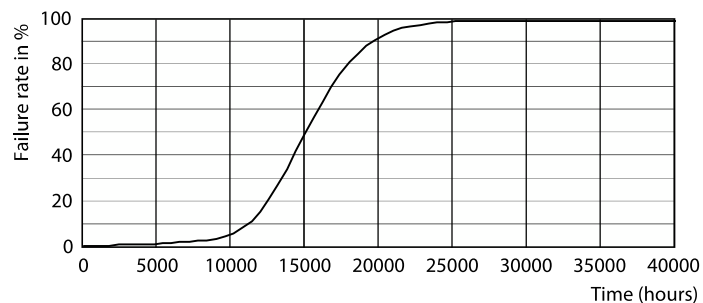


Technical Parameters 11 Photo Lighting 10 Page 17

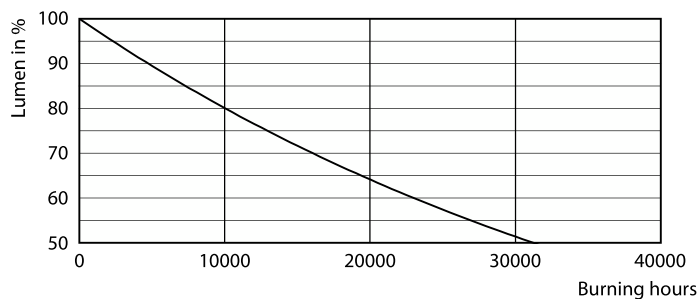
General uniform lighting - 26UFO/PER/830/FR/P/E26/ND 4/1PF

LED Designer Deco

Lifetime



Life Expectancy Diagram



Lumen Maintenance Diagram - 26UFO/PER/830/FR/P/E26/ND 4/1PF

