

# Day-Brite CFI

by Signify

## Recessed

Arioso LED 2x2

Ribbed acrylic lens  
3200 or 3800 lumens



Project: \_\_\_\_\_  
 Location: \_\_\_\_\_  
 Cat.No: \_\_\_\_\_  
 Type: \_\_\_\_\_  
 Lamps: \_\_\_\_\_ Qty: \_\_\_\_\_  
 Notes: \_\_\_\_\_

The Day-Brite / CFI Arioso recessed LED with ribbed acrylic lens offers standard-setting efficiency without aesthetic compromise. These LED luminaires combine state-of-the-art, flexible and globally-recognized LED lighting platforms with proven Arioso optical combinations.

### Ordering guide

Example: 2AVEG32L835-2-ACR-UNV-DIM

Width	Family	Ceiling Type	Lumen Package	Color	Length	Shielding	Voltage	Driver	Options
2	AVE	G			2	ACR			
2 2'	AVE Arioso recessed LED	G 15/16" T-Grid or 9/16" Slot Grid	32L 3200 nominal lumens 38L 3800 nominal lumens	835 80 CRI, 3500K 840 80 CRI, 4000K	2 2'	ACR 100% frosted ribbed acrylic lens	UNV Universal Voltage, 120-277 volt 347 347V	DIM 0-10V dimming SDIM Step dimming to 40% input power	F1 3/8" flex, 3 wire 18 gauge 6' F2 3/8" flex, 4 wire 18 gauge 6' F1/D 3/8" Twin Flex, 3 Wire 18 gauge 6' for dimmable luminaires F2/5W 3/8" Single Flex, 5 Wire 18 gauge 6' for dimmable luminaires GLR Fusing, Fast Blow EMLED Integral emergency battery pack, 1100lm nominal (ballast enclosure on top of luminaire) DSC Quick driver disconnect

### Accessories (order separately)

- AVHD – Hold down clips
- FMA22 – 2'x2' "F" mounting frame for NEMA "F" mounting
- 2AVE-ACRC – replacement lens
- Electrical wiring options – Consult factory



# 2AVE Arioso recessed LED ribbed acrylic 2x2

3200 or 3800 lumens

## Features

- 100% frosted ribbed acrylic lens provides soft, balanced, direct and reflected light.
- Seamless welded form – curved top and side reflectors formed together without any gaps or visual barriers.
- High performance LED technology delivers up to 3824 lm at 40.5W.
- Multiple lumen outputs available to balance energy savings with lighting application needs.
- Ideal for indoor general area lighting – offices, schools, retail and health care applications.
- 80+ CRI and excellent color consistency.
- Capable of providing 25–40% energy savings over 2-T5HO (28W) fluorescent luminaires.
- High efficiency LEDs have a minimum 50,000 hour rated life (L70).
- Predicted L70 lifetime based on LED manufacturer's supplied LM-80 data and in-situ laboratory testing.
- Dimming option available.

## Construction/Finish

- 20 gauge steel housing assembly.
- 95% reflectance baked white acrylic matte paint finish.

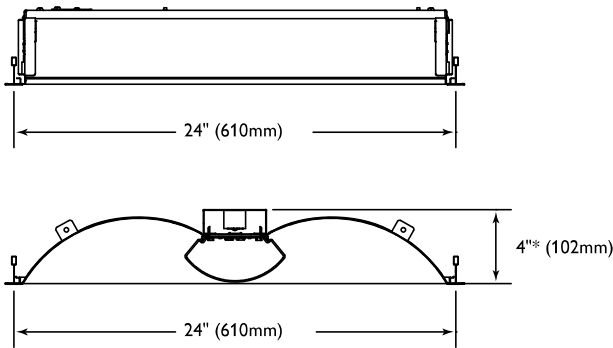
## Electrical

- LED boards and drivers are RoHS (Restriction of Hazardous Substances) compliant. For dimming options, consult factory. LED array and driver accessible from below.
- cCSAus listed.

## Enclosure

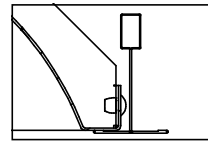
- High performance contoured lens conceals lamp image providing balance between reflected and direct light.

## Dimensions

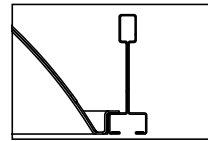


\* EMLED is 1-3/4" (45mm) deeper.

Ceiling compatibility for G type luminaire



Suited to standard exposed 15/16" T-grid ceilings



Suited to standard exposed Slot T-grid ceilings

## Photometry

### Arioso Recessed LED Ribbed Acrylic 2x2, 3200 nominal lumens

<b>Catalog No.</b>	2AVEG32L840-2-ACR
<b>Test No.</b>	31661
<b>S/MH</b>	1.3
<b>Lamp Type</b>	LED
<b>Lumens/Lamp</b>	3103
<b>Input Watts</b>	31.3

Comparative yearly lighting energy cost per 1000 lumens – **\$2.42** based on 3000 hrs. and \$.08 pwr KWH.

### Candlepower

Angle	End	45	Cross
0	1063	1063	1063
5	1053	1062	1063
10	1034	1049	1056
15	1001	1022	1031
20	955	983	1002
25	899	938	966
30	833	884	921
35	762	823	874
40	684	758	821
45	605	690	762
50	524	616	701
55	442	540	635
60	364	469	569
65	289	397	502
70	220	329	434
75	157	262	363
80	99	190	249
85	47	89	95

### LER – 99

### Light Distribution

Degrees	Lumens	% Luminaire
0-30	819	26.42
0-40	1332	42.97
0-60	2344	75.62
0-90	3099	100.00

### Coefficients of Utilization

#### EFFECTIVE FLOOR CAVITY REFLECTANCE 20 PER (pfc=0.20)

pcc	80			70			50		
	70	50	30	70	50	30	50	30	
pw									
RCR									
0	1.19	1.19	1.19	1.16	1.16	1.16	1.11	1.11	
1	1.09	1.04	1.00	1.06	1.02	.98	.97	.94	
2	.99	.91	.85	.97	.89	.83	.86	.81	
3	.91	.80	.72	.88	.79	.71	.76	.70	
4	.84	.72	.63	.81	.71	.63	.68	.61	
5	.77	.64	.55	.75	.63	.55	.61	.54	
6	.71	.58	.49	.69	.57	.48	.55	.47	
7	.65	.52	.43	.63	.51	.42	.49	.42	
8	.60	.47	.38	.59	.46	.38	.45	.37	
9	.56	.43	.34	.55	.42	.34	.41	.33	
10	.52	.39	.31	.51	.38	.31	.37	.30	

# 2AVE Arioso recessed LED ribbed acrylic 2x2

3200 or 3800 lumens

## Arioso Recessed LED Ribbed Acrylic 2x2, 3800 nominal lumens

LER – 94

<b>Catalog No.</b> 2AVEG38L840-2-ACR <b>Test No.</b> 31662 <b>S/MH</b> 1.3 <b>Lamp Type</b> LED <b>Lumens/Lamp</b> 3824 <b>Input Watts</b> 40.5	<b>Candlepower</b>				<b>Light Distribution</b>				
	<b>Angle</b> 0 5 10 15 20 25 30 35 40 45 50 55 60 65 70 75 80 85	<b>End</b> 1322 1309 1285 1245 1188 1118 1037 947 851 752 652 551 453 360 273 195 123 58	<b>45</b> 1322 1319 1302 1268 1219 1162 1093 1015 934 845 754 659 570 479 390 313 227 108	<b>Cross</b> 1322 1323 1314 1282 1247 1201 1145 1087 1021 948 872 790 708 624 540 452 313 313 119	<b>Degrees</b> 0-30 0-40 0-60 0-90	<b>Lumens</b> 1017.2 1651 2898 3820	<b>% Luminaire</b> 6.61 43.23 75.88 100.00		
Comparative yearly lighting energy cost per 1000 lumens – <b>\$2.55</b> based on 3000 hrs. and \$.08 pwr KWH.	<b>Coefficients of Utilization</b>								
	<b>EFFECTIVE FLOOR CAVITY REFLECTANCE 20 PER (pfc=0.20)</b>								
	pcc	80		70			50		
	pw	70	50	30	70	50	30	50	30
	RCR								
	0	.119	.119	.119	.116	.116	.116	.111	.111
	1	1.09	1.04	1.00	1.06	1.02	.98	.97	.94
	2	.99	.91	.85	.97	.89	.83	.86	.81
	3	.91	.80	.72	.88	.79	.72	.76	.70
	4	.84	.72	.64	.82	.71	.63	.68	.61
	5	.77	.64	.56	.75	.63	.55	.61	.54
	6	.71	.58	.49	.69	.57	.48	.55	.48
7	.65	.52	.43	.64	.51	.43	.49	.42	
8	.61	.47	.39	.59	.46	.38	.45	.37	
9	.56	.43	.34	.55	.42	.34	.41	.34	
10	.52	.39	.31	.51	.38	.31	.37	.30	

Catalog Number	Delivered Lumens	Input Watts	Efficacy lm/W	8'x8' avg fc	8'x8' W/sq ft	8'x10' avg fc	8'x10' W/sq ft
2AVEG32L840-2-ACR	3103	31.3	99	48.4	0.49	38.7	0.39
2AVEG38L840-2-ACR	3824	40.5	94	59.7	0.63	47.8	0.51

