

Project		Catalog #		Type	
Prepared by		Notes		Date	



Lumière

Monaco 3002 LED

In-ground Accent

Typical Applications

- Adjustable in-ground • Commercial Landscape • Architectural • Accent • Sign • Flag

Interactive Menu

- Order Information page 2
- Product Specifications page 2
- Lumen Maintenance page 3
- Product Warranty

Product Certification



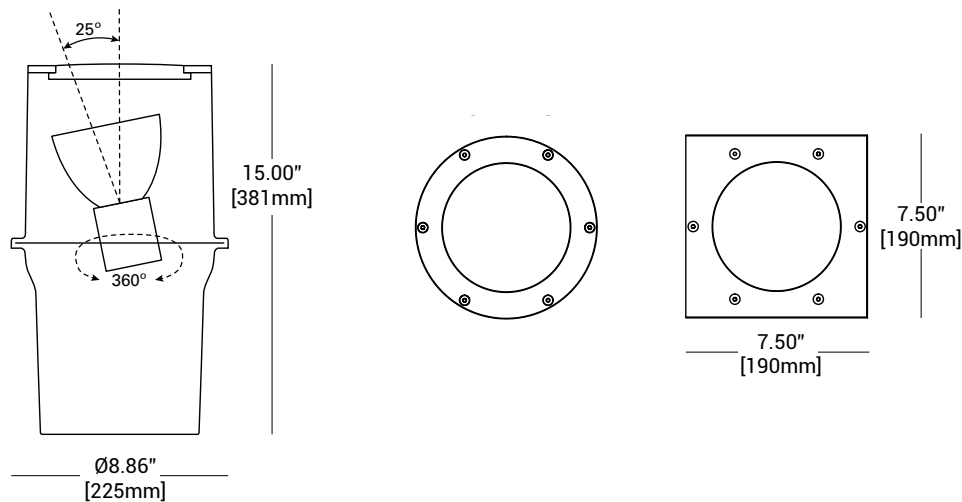
Product Features



Top Product Features

- 25° Tilt, 360° Rotation - lockable, fixed beam option also available
- Integral LED light engine with 9°, 14°, 21°, or 35° optics
- Independently sealed input wire splice compartment
- Quick wire connectors for easy installation and maintenance
- Accepts up to three optical accessories (lenses, louvers & filters)
- Cast bronze rock guard and glare shield accessories available

Dimensions



Order Information

SAMPLE ORDER NUMBER: 3002A-RD-18LED3000-MFL-CLR-UNV-BZ

Domestic Preferences	Series	Trim	Source	Distribution	Top Glass	Input Voltage	Finish	Others
[Blank] =Standard BAA =Buy American Act BABA =Build America Buy America Act	3002A =Monaco 3002 LED Adjustable Aiming 3002N =Monaco 3002 LED Non-Adjustable Aiming	RD =Round SQ =Square	18LED2700 =18W LED, 2700K, 85 CRI 18LED3000 =18W LED, 3000K, 85 CRI 18LED3500 =18W LED, 3500K, 85 CRI 18LED4000 =18W LED, 4000K, 85 CRI 25LED2700 =25W LED, 2700K, 85 CRI 25LED3000 =25W LED, 3000K, 85 CRI 25LED3500 =25W LED, 3500K, 85 CRI 25LED4000 =25W LED, 4000K, 85 CRI	SP =9° Spot NFL =15° Narrow Flood MFL =25° Medium Flood WFL =40° Wide Flood	CLR =Clear Top Glass DIF =Diffuse Top Glass NSL =Non-Slip Lens	UNV =120 - 277V 50/60Hz, electronic driver	Painted BK =Black BZ =Bronze CS =City Silver VE =Verde WT =White	LBB =Less Back Box FUS =Fusing
Notes (1) Only product configurations with these prefixes are built to be compliant with the Buy America Act of 1933 (BAA) or Buy America Build America Act (BABA). Please see the Compliance section in Product Specifications for more detail.	Notes	Notes	Notes	Notes	Notes	Notes (2) Consult factory for premium/natural metals material finish.	Notes	Notes

Filters	Optical Lenses	Optical Louvers	Light Control	Electrical
---------	----------------	-----------------	---------------	------------

Accessories				
Filters (4.95" Diameter)	Optical Lenses (4.95" Diameter)	Optical Louvers (4.95" Diameter)	Light Control	Electrical
F71-38 = Peach Dichroic F72-38 = Amber Dichroic F73-38 = Green Dichroic F74-38 = Medium Blue F75-38 = Yellow Dichroic F76-38 = Red Dichroic F77-38 = Dark Blue Dichroic F78-38 = Light Blue Dichroic F79-38 = Neutral Density Dichroic F80-38 = Magenta Dichroic F22-38 = Red Color F33-38 = Blue Color F44-38 = Green Color F55-38 = Yellow Color F66-38 = Mercury Vapor	LSL-38 =Linear Spread Lens (elongates standard beam spread) DIF-38 =Diffused Lens (provides even illumination) OSL-38 =Overall Spread Lens (increases standard beam spread)	LVR-38 =45° Hex Cell Louver (reduces glare)	3000-RG =Rock Guard 3000-SG =Straight Glare Shield 3000-AG =Above Ground	3000-FUS =Fusing Package
Notes	Notes	Notes	Notes	Notes

Product Specifications

Construction

- Recessed housing is constructed from corrosion-proof, injection molded polyphenylene sulfide (PPS). Trim ring is constructed from corrosion resistant 6061 T6 aluminum, brass or stainless steel
- Recessed housing is provided with two 3/4 inch NPS threaded conduit entries. The recessed housing is available to ship in advance of complete fixture for rough-in purposes. Specify option -LBB and order recessed housing and accompanying components from below:
 - Recessed housing:
 - 3000-BBR
 - 3000-BBS
 - Recessed housing with fusing:
 - 3000-BBR-FUS
 - 3000-BBS-FUS

Electrical

- LED fixtures include an integral, universal input driver (120V - 277V)
- The LED light engine is dimmable to 15% with electronic low voltage equipment (ELV dimmers need a neutral connection in the wall box)

Finish

- Painted trim rings are constructed from 6061-T6 aluminum with a polyester powdercoat paint finish. A variety of standard colors is available
- Machined natural brass or stainless steel trim rings are unpainted and available in either round or square forms. Brass will patina naturally over time

Lens

- Domed 1/2" thick tempered glass lens, factory sealed with high temperature gasket to prevent water intrusion. Suitable for driveover* applications to 5000 lbs

Hardware

- Stainless steel hardware is standard to provide maximum corrosion-resistance. Outer trim ring includes captive fasteners

LED Light Engine

- Integrated LED engine is available with 4 beam angles from 9° to 40°.
- 85CRI standard with color consistency of +/- 50K CCT

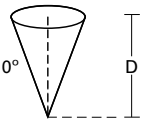
Compliance

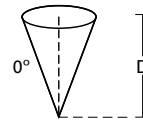
- UL and cUL listed, standard wet label
- Rated for operation in -40°C to 50°C (-40°F to 122°F)
- Tested according to IESNA LM-79 and LM-80 procedures
- ROHS Compliant
- IP68 Ingressed Protection rated
- Domestic preference option available to meet BAA requirements
- BABA domestic preference option meets BABA requirements. BABA products meet minimum government compliance requirements for Buy America Build America standard, part of the Infrastructure and Investment Jobs Act (IIJA). Individual government agencies may have more stringent compliance standards
- See [DOMESTIC PREFERENCES](#) website or consult the CLS Domestic Preferences team for more information

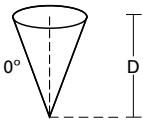
Warranty

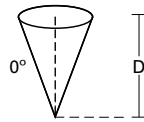
- Lumière warrants its fixtures against defects in materials & workmanship for three (3) years. Drive carries the original manufacturer's warranty.

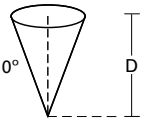
Monaco Photometric Data

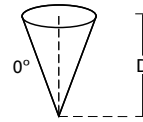
3002A-18LED3000-SP			
Test No.	P166840		
CCT	3000K		
Lumens	967 Lm		
Watts	16.6 W		
LPW	58.3 Lm/W		
Beam Angle	8.9°		
Field Angle	17.2°		
CBCP	30118 cd		
CONE OF LIGHT			
			
D	FC	L	W
10'	301.2	1.4	1.4
20'	75.3	3	3
30'	33.5	4.6	4.6
40'	18.8	6.2	6.2

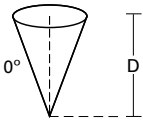
3002A-18LED3000-NFL			
Test No.	P166839		
CCT	3000K		
Lumens	971 Lm		
Watts	16.6 W		
LPW	58.5 Lm/W		
Beam Angle	13.9°		
Field Angle	24°		
CBCP	14995 cd		
CONE OF LIGHT			
			
D	FC	L	W
10'	149.9	2.4	2.4
20'	37.5	4.8	4.8
30'	16.7	7.2	7.2
40'	9.4	9.6	9.6

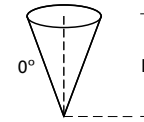
3002A-18LED3000-MFL			
Test No.	P166838		
CCT	3000K		
Lumens	912 Lm		
Watts	16.6 W		
LPW	55.5 Lm/W		
Beam Angle	22.8°		
Field Angle	48.7°		
CBCP	4010 cd		
CONE OF LIGHT			
			
D	FC	L	W
10'	40.1	3.8	3.8
20'	10	7.6	7.6
30'	4.5	11.4	11.4
40'	2.5	15.2	15.2

3002A-18LED3000-MFL			
Test No.	P166841		
CCT	3000K		
Lumens	947 Lm		
Watts	16.6 W		
LPW	57.0 Lm/W		
Beam Angle	36.2°		
Field Angle	53.2°		
CBCP	2674 cd		
CONE OF LIGHT			
			
D	FC	L	W
10'	26.7	6	6
20'	6.7	12	12
30'	3	18	18
40'	1.7	23.4	23.4

3002A-25LED3000-SP			
Test No.	P253142		
CCT	3000K		
Lumens	1232 Lm		
Watts	25.1 W		
LPW	49.1 Lm/W		
Beam Angle	8.9°		
Field Angle	17.2°		
CBCP	38343 cd		
CONE OF LIGHT			
			
D	FC	L	W
10'	383.4	1.4	1.4
20'	95.9	3	3
30'	42.6	4.6	4.6
40'	24	6.2	6.2

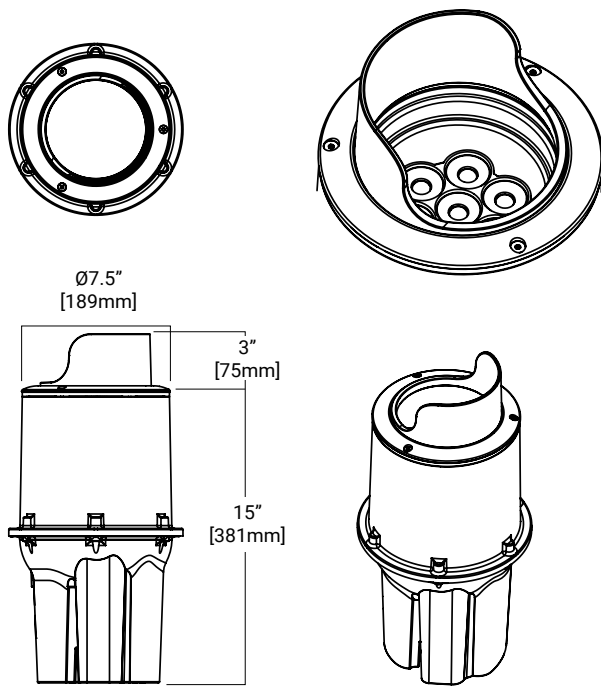
3002A-25LED3000-NFL			
Test No.	P253141		
CCT	3000K		
Lumens	1237 Lm		
Watts	25.1 W		
LPW	49.3 Lm/W		
Beam Angle	13.9°		
Field Angle	24.0°		
CBCP	19090 cd		
CONE OF LIGHT			
			
D	FC	L	W
10'	172.2	2.4	2.4
20'	43.1	4.8	4.8
30'	19.1	7.2	7.2
40'	10.8	9	9

3002A-25LED3000-MFL			
Test No.	P253140		
CCT	3000K		
Lumens	1162 Lm		
Watts	16.7 W		
LPW	46.3 Lm/W		
Beam Angle	22.8°		
Field Angle	48.7°		
CBCP	5104 cd		
CONE OF LIGHT			
			
D	FC	L	W
10'	51	3.8	3.8
20'	12.8	7.6	7.6
30'	5.7	11.4	11.4
40'	3.2	15.2	15.2

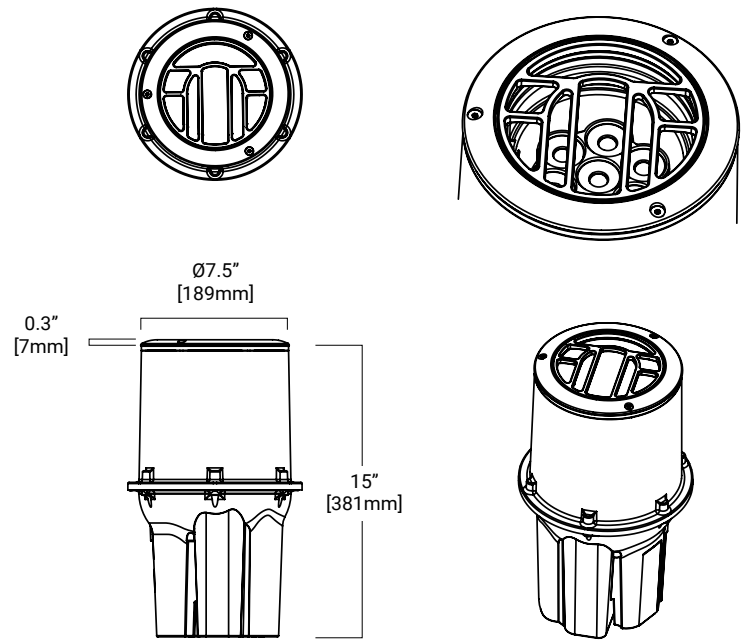
3002A-25LED3000-WFL			
Test No.	P253143		
CCT	3000K		
Lumens	1205 Lm		
Watts	25.1 W		
LPW	48 Lm/W		
Beam Angle	36.2°		
Field Angle	53.2°		
CBCP	3404 cd		
CONE OF LIGHT			
			
D	FC	L	W
10'	34	6	6
20'	8.5	12	12
30'	3.8	18	18
40'	2.1	23.4	23.4

CCT/CRI	2700K / 90 CRI	3000K / 80 CRI	3500K / 80 CRI	4000K / 80 CRI
Lumen Multiplier	0.729	1.000	1.123	1.057

Model Specific Accessories



Glare Shield
3000-SG

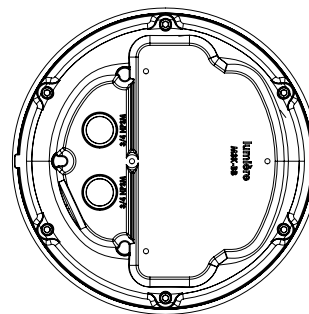
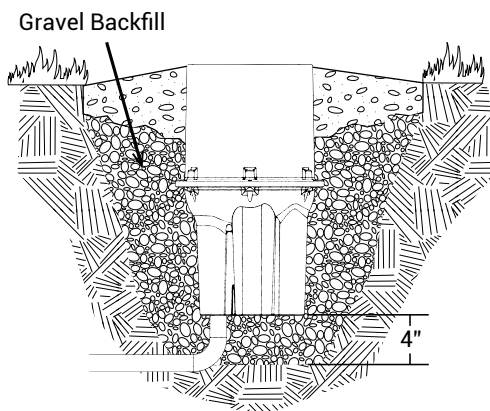


Rock Guard
3000-RG

Technical Notes

Caution: To prevent water, dirt and debris from collecting, install fixture to allow runoff. Do not install fixture in areas where water can collect for long periods of time. Appropriate drainage must be provided.

Excavated hole must be approximately 15" in diameter by 20" in depth. Fixture must be installed with a minimum 4" depth of pea gravel or equivalent drainage base. Backfill an additional 8" depth of pea gravel on lower portion of fixture for soil stability. For more detailed installation instructions and warnings consult factory.



Bottom view of recessed housing showing two 3/4 inch NPS conduit entries.