

DESCRIPTION

The H37T-401AL is specifically designed for use as a heat lamp with up to a 250W R40 IR lamp. Brushed aluminum trim is corrosion resistant.

Catalog #		Type
Project		
Comments		Date
Prepared by		

APPLICATION

The H37T is a suited for use in non-insulated ceilings in residential and commercial applications. If ceiling insulation is present, it must be kept 3" from the fixtures on all sides.

DESIGN FEATURES

A...Housing

Die-stamped 20 gauge CRS with white powder coat finish.

B...Socket Plate

Rigid socket plate adjusts and locks without tools.

C...Plaster Frame

Housing adjusts in plaster frame 1 3/8" to accommodate different ceiling thicknesses.

DESIGN FEATURES

D...Junction Box

Junction box features include:

- UL listed for through branch circuit wiring
- Positioned to accommodate straight conduit runs
- Seven 1/2" trade size conduit knockouts with true pry-out slots

E...Bar Hangers

Two-piece bar hangers span up to 24" joists. Plaster

F...Socket

Porcelain socket with nickel plated brass screw shell.

G...Thermal Protector

Self resetting thermal protector deactivates fixture if overheating occurs due to improper lamping or misapplied insulation.

Labels

- UL Listed for Damp Location
- UL listed for Feed Through
- CSA Certified
- IP Rated

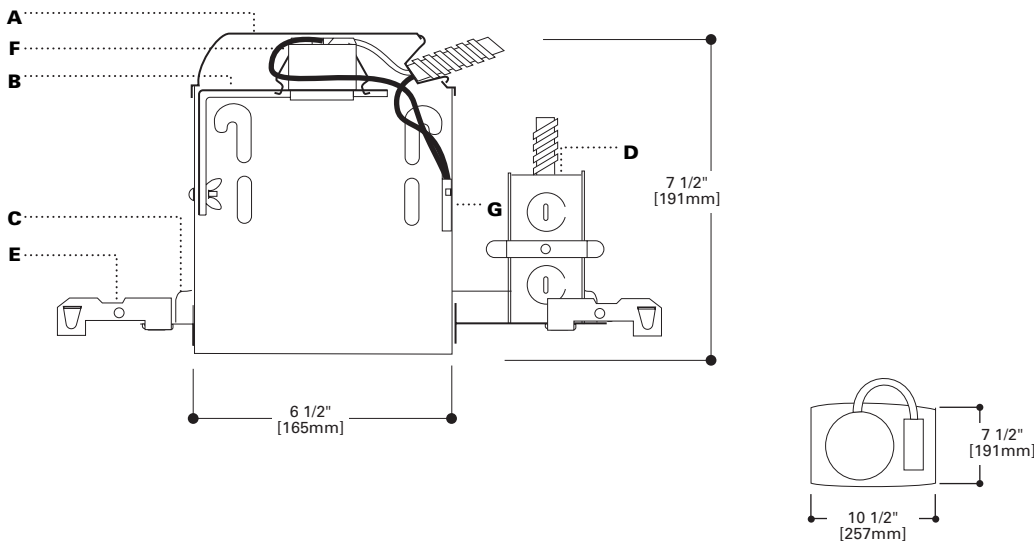


H37T-401AL

6"
Non-Insulated Ceiling
Recessed Housing

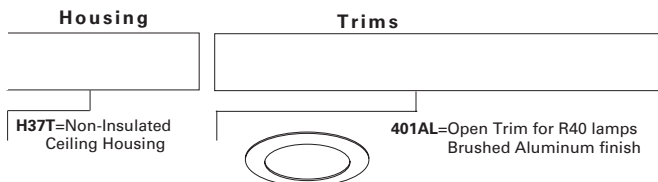
HEAT LAMP

FOR USE IN NON-INSULATED CEILING



ORDERING INFORMATION

SAMPLE NUMBER: H37T-401AL



ADV071023
6/07

Note: Specifications and Dimensions subject to change without notice.

Visit our web site at www.cooperlighting.com

