

Project		Catalog #		Type	
Prepared by		Notes		Date	



Metalux

SWLED

Surface and Wall LED

Typical Applications
Commercial • Industrial

Interactive Menu

- Order Information page 2
- Photometric Data page 3
- Control Solutions page 5
- Product Warranty

Product Certification



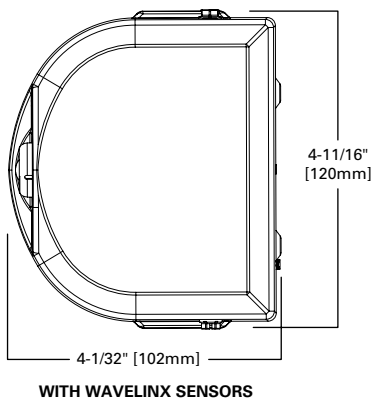
Product Features



Top Product Features

- Lumen packages up to 2000 lumens per foot for high mounting locations
- Excellent performance with lm/W, ranging up to 150 lm/W with LC lens
- 4ft. and 2ft. product configurations for mounting versatility
- Multiple sensor options for connected or control at multiple heights
- Standard 10% 0-10V driver with optional DALI, 1% and step dimming options
- Options to meet Build America, Buy America, Buy American and other domestic preference requirements

Dimensional and Mounting Details



[additional product diagrams](#)

Order Information

SAMPLE ORDER NUMBER: **SWLED-40SL-LW-UNV-L840-CD1-WLS-U**

Domestic Preferences	Length	Series	Lumen Output	Optic	Voltage	Emergency Options
Domestic Preferences ⁽¹⁾	Length	Series ⁽²⁾	Lumen Output	Optic	Voltage	Emergency Options ^{(8), (10)}
[Blank] =Standard BAA =Buy American Act TAA =Trade Agreements Act BABA =Build America Buy America Act	2=2 ft. Length 4=4 ft. Length	SWLED =LED Surface and Wall	LED Lumens ⁽³⁾ 8SL =900 ⁽⁴⁾ 48HL =4800 16SL =1600 52HL =5200 20SL =2000 56HL =5600 24HL =2400 60HL =6000 28HL =2800 64HL =6400 28SL =2800 ⁽⁵⁾ 67HL =6700 32SL =3200 72HL =7200 36SL =3600 78HL =7800 40SL =4000 80HL =8000	LC =Clear Lens LN =Semi-Frost Lens- Narrow LW = Full Frost Lens- Wide	UNV =Universal Voltage 120-277V 347V =347 Volt ⁽⁶⁾ UNC =347V/480V ⁽⁷⁾	EL7W =7-watt, 120V-277V Emergency Battery Pack Installed ⁽⁹⁾ EL14W =14-watt 120V-277V Emergency Battery Pack Installed ⁽⁹⁾ ETRD = 120-277V Emergency Transfer Relay with Dimming Control ⁽¹¹⁾
Notes (1) Only product configurations with these prefixes are built to be compliant with the Buy American Act of 1933 (BAA), Trade Agreements Act of 1979 (TAA), or the Build America Buy America Act (BABA). BABA is the minimum Government compliance requirement for the Build America Buy America standards which is part of the Infrastructure and Investment Jobs Act (IIJA). Individual Government Agencies may have more stringent compliance standards. Please refer to DOMESTIC PREFERENCES website or consult the CLS Domestic Preferences team for more information. Components shipped separately may be separately analyzed under domestic preference requirements.		Notes (2) DesignLights Consortium® Qualified and classified for both DLC Standard and DLC Premium, refer to www.designlights.org for details.	Notes (3) Nominal lumen output see table for performance values. (4) 2 ft. model. (5) Integral options only available in 4ft model.		Notes (6) 347V option – 60HL and above uses two drivers. (7) 347V listing in DLC is for standard 347V ONLY driver. No DLC listing for UNC.	Notes (8) Integral options only available in 4ft model. (9) With integral test switch/indicator. For approximate delivered lumens multiply the lumens per watt of the desired fixture by the wattage of the emergency battery pack (100 lm/W x 7=700 lumens). IES-format photometry for luminaire under emergency operation available. (10) Integral EL battery pack is rated for 35°C. (11) Used to bypass local control during outage. Must be used in conjunction with UL 1008 device (provided by others). ETRD option requires one relay when used on a dimming fixture.

CCT	Driver Type	Number of Drivers	Integrated Control	Packaging
CCT	Driver Type	Number of Drivers	Integrated Control	Packaging
L830 =3000K L835 =3500K L840 =4000K L850 =5000K L930 =3000K, 90CRI L935 =3500K, 90CRI L940 =4000K, 90CRI L950 =5000K, 90CRI	CD =0-10V Driver (10% - 100% Dimming) CDW =Non-Programmable Driver, Limited Lumen Packages, 0-10V Dimming (10%-100%) HCD =0-10V Driver (1% - 100% Dimming) SD =Step-Dim Driver SLTD =DALI (1% - 100% Dimming)	1=1 Driver 2=2 Drivers ⁽¹²⁾	WLS (formerly WAB) =WaveLinx LITE Wireless Sensor, Occupancy w/ photocell, Independent & Networked ^{(13), (14), (B)} WPS (formerly WAA) =WaveLinx PRO Wireless Sensor, Occupancy w/ photocell, Networked ^{(13), (14), (A)}	U =Unit Pack
		Notes (12) 347V option – 60HL and above uses two drivers.	Notes (13) WaveLinx sensors suitable for wall mount applications. (14) WAA and WAB sensors to be used with CD or HCD driver. Integrated options must be used in conjunction with the associated system and may not be compatible with other options or accessories. Please refer to the following: (A) Consult WaveLinx PRO system pages for additional details and compatibility. (B) Consult WaveLinx LITE system pages for additional details and compatibility.	

Accessories

Accessories (order separately) ⁽¹⁵⁾
SCF =Fixed Stem Set (Specify Length) SCS =Swivel Stem Set (Specify Length) SCA =Adjustable 48" Stem Set A1B/Spacer-U =Spacer 1-1/2" to 2-1/2" from ceiling (Use 2 Per Fixture)
Notes (15) Accessories sold separately will be separately analyzed under domestic preference requirements. Consult factory for further information. Integrated options must be used in conjunction with the associated system and may not be compatible with other options or accessories.

Product Specifications

Construction

- Die formed cold rolled steel housing
- Decorative white opaque injection molded end plates
- Reflector/channel wireway cover secured by fasteners for easy access
- Numerous channel KO's for easy installation

Controls

- 0-10V dimming drivers to 10% standard, 1% optional
- WaveLinX integrated sensor options provide code compliance, increased energy savings, grouping of fixtures, and connection to WaveLinX control systems
- DALI 2.0, Lutron, and step-dimming available

Electrical

- Long-life LED system with electrical driver for optimal performance
- Minimum 80 CRI
- TM21 rating up to L91 > 60,000hours

Emergency Battery Pack Option

- Optional 120V-277V integral battery pack in 7w or 14w options
- 90 minute backup period
- Test switch/indicator button with laser pointer testing feature for ground testing
- EZ Key system prevents accidental discharge during construction
- Emergency/generator transfer relay with dimming control capability available

Finish

- High reflective post painted finish (PAF)
- Treated in multistage iron phosphate pretreatment

Shielding

- Three lens options available: LC (clear), LN (semi-frost with narrow distribution), and LW (full frost with wide distribution)
- Lens is held in place by removable injection molded white end caps

Installation

- Surface mount
- Suspended mount

Compliance

- cULus listed for up to 40C ambient environments
- Damp location listed for ceiling and wall mounting
- Comply with IESNA LM-79 and LM-80 testing standards
- Suitable for use in clothes closets
- Recommended for use in stairwells when installed to NEC 410.16 spacing requirements
- Can be used for State of California Title 24 high efficacy luminare
- DesignLights Consortium Qualified and classified for both DLC Standard and DLC Premium

BABA Domestic Preference Compliance

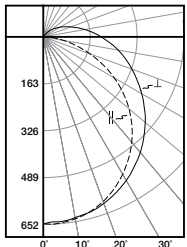
- FHWA and FTA agencies are utilizing their BAA rules for BABA compliance. Cooper's products with a BAA designation are manufactured in the US and utilize a BAA COTS exemption rule for compliance. To verify a configured product with specific accessories and options meet BABA Domestic Preference Requirements; submit this catalog number to Cooper Lighting Quotation team for validation by our Engineering and Manufacturing teams. Please refer to the [DOMESTIC PREFERENCES](#) website or consult the CLS Domestic Preferences team for more information. Components shipped separately may be separately analyzed under domestic preference requirements.

Product Warranty

- 5-year limited warranty

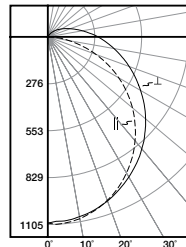
Photometric Data

[View IES files](#)



2SWLED-24HL-LW-UNV-L840-CD1-U

Electronic Driver
 Linear LED 4000K
 Spacing criterion: (H) 1.25 x mounting height,
 (L) 1.32 x mounting height
 Lumens: 2475
 Input Watts: 24W
 Efficacy: 103.1 lm/W
 Test Report: 2SWLED-24HL-LW-UNV-L840-CD1-U-IES



4SWLED-40SL-LW-UNV-L840-CD1-U

Electronic Driver
 Linear LED 4000K
 Spacing criterion: (H) 1.25 x mounting height,
 (L) 1.29 x mounting height
 Lumens: 4015
 Input Watts: 37.9W
 Efficacy: 105.9 lm/W
 Test Report: 4SWLED-40SL-LW-UNV-L840-CD1-U-IES

Energy and Performance Data

Lens Type	Lumen Type	Length	Catalog Number	Nominal Lumens	Wattage	lm/W with LW Lens	Approx. lm/W with LC/LN Lens
Full Frost (LW)	Standard	2 ft.	2SWLED-8SL-LW-UNV-L840-CD1-U	914	9.0	102	120
Full Frost (LW)	Standard	2 ft.	2SWLED-16SL-LW-UNV-L840-CD1-U	1597	15.9	100	118
Full Frost (LW)	Standard	2 ft.	2SWLED-20SL-LW-UNV-L840-CD1-U	1987	20.6	96	115
Full Frost (LW)	High	2 ft.	2SWLED-24HL-LW-UNV-L840-CD1-U	2475	24	103	133
Full Frost (LW)	High	2 ft.	2SWLED-28HL-LW-UNV-L840-CD1-U	2813	27.9	101	130
Full Frost (LW)	Standard	4 ft.	4SWLED-16SL-LW-UNV-L840-CD1-U	1626	14.3	114	148
Full Frost (LW)	Standard	4 ft.	4SWLED-20SL-LW-UNV-L840-CD1-U	1983	17.6	113	146
Full Frost (LW)	Standard	4 ft.	4SWLED-28SL-LW-UNV-L840-CD1-U	2841	24.8	115	148
Full Frost (LW)	Standard	4 ft.	4SWLED-32SL-LW-UNV-L840-CD1-U	3217	28.6	112	145
Full Frost (LW)	Standard	4 ft.	4SWLED-36SL-LW-UNV-L840-CD1-U	3573	32.8	109	141
Full Frost (LW)	Standard	4 ft.	4SWLED-40SL-LW-UNV-L840-CD1-U	4015	37.9	106	137
Full Frost (LW)	Standard	4 ft.	4SWLED-44HL-LW-UNV-L840-CD1-U	4436	39.7	106	145
Full Frost (LW)	High	4 ft.	4SWLED-48HL-LW-UNV-L840-CD1-U	4899	44.6	110	143
Full Frost (LW)	High	4 ft.	4SWLED-52HL-LW-UNV-L840-CD1-U	5175	47.7	108	140
Full Frost (LW)	High	4 ft.	4SWLED-56HL-LW-UNV-L840-CD1-U	5623	52.9	106	137
Full Frost (LW)	High	4 ft.	4SWLED-60HL-LW-UNV-L840-CD1-U	5977	53.7	111	144
Full Frost (LW)	High	4 ft.	4SWLED-64HL-LW-UNV-L840-CD1-U	6369	58.2	109	141
Full Frost (LW)	High	4 ft.	4SWLED-67HL-LW-UNV-L840-CD1-U	6708	61.9	108	140
Full Frost (LW)	High	4 ft.	4SWLED-72HL-LW-UNV-L840-CD1-U	7201	67.7	106	137
Full Frost (LW)	High	4 ft.	4SWLED-78HL-LW-UNV-L840-CD1-U	7832	75.4	104	135
Full Frost (LW)	High	4 ft.	4SWLED-80HL-LW-UNV-L840-CD1-U	8060	78.4	103	133

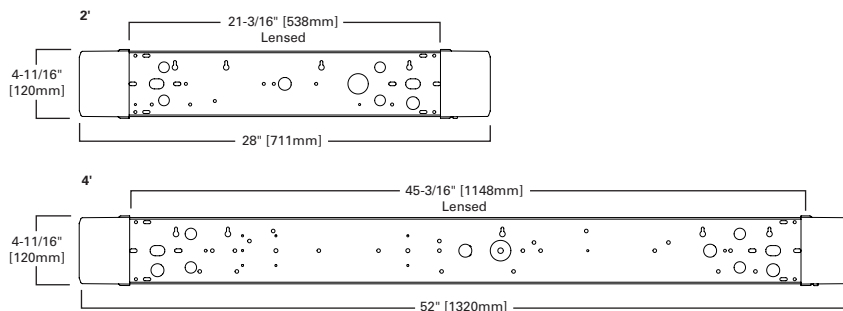
CCT Table

Approximate Color Temperature Multiplier	
5000K	1.03
4000K	1.00
3500K	0.98

Shipping Data

Catalog No.	Wt.
2SWLED	6 lbs.
4SWLED	12 lbs.

Dimensional and Mounting Details



Control Solutions

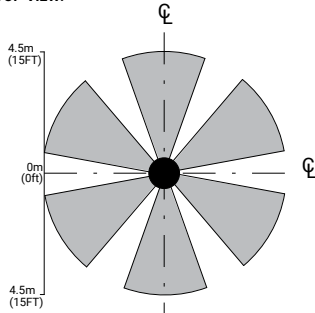
- WaveLinx LITE wireless
- WaveLinx PRO wireless
- WaveLinx CAT wired
- WaveLinx Wired



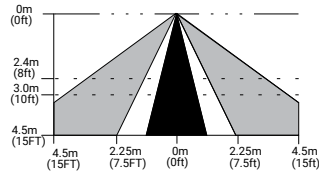
Integrated Sensor Coverage Pattern

WaveLinx PRO/LITE Sensor – WLS and WPS

TOP VIEW:



SIDE VIEW:



Note: Installation of integrated sensors within 3-ft (1m) of HVAC air vents is not recommended. The pattern shown is intended solely as a general guide and is not to scale.

The SWLED with WaveLinx offers no-hassle lighting control with multiple luminaire level control solutions.

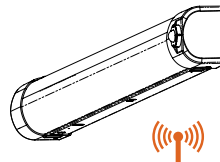


WaveLinx PRO is a wireless lighting control solution, for connected spaces, that significantly reduces a building's energy consumption. From a single floor to an entire campus, WaveLinx PRO connects more than lighting assets; it shares aggregated sensor data with the WaveLinx CORE platform and other building systems, so building owners can improve operations, spaces environment, and tenants' experience. WaveLinx PRO offers a rich portfolio of wireless devices, WaveLinx PRO-enabled luminaires, and an intuitive WaveLinx mobile app for office, education, warehouse, and parking garage applications.



WaveLinx LITE is a cost effective, wireless digital lighting control solution, with out-of-the-box functionality, that saves energy and meets code. It's designed for applications that require occupancy-based, daylighting, or manual light control. Customize installations for office, education, warehouse and parking garages using the secure, simple mobile app.

With Integrated WaveLinx Sensor



Integrated Controls Options

Option	Out of the Box Functionality	Luminaire Level Lighting Control (LLLC)	Automatic Dimming Photocell	Occupancy Sensing	CCT Control
WLS	X	X	X	X	
WPS		X	X	X	X

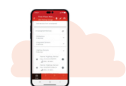
Note: WaveLinx utilizes scenes to allow users to change an area's fixtures Correlated Color Temperature (CCT) and intensity using commissioned manual wireless wallstation scene control. To enable CCT adjustments through WaveLinx, include WPS device in addition to VividTune or BioUp technologies for integrated fixture control.

Systems comparison chart

Cooper Lighting Solutions provides many lighting system solutions designed to satisfy code requirements and meet the unique needs of any project.



Luminaire with standalone sensor



Standalone Spaces WaveLinx LITE



Standalone Spaces WaveLinx CAT



Networked Spaces WaveLinx PRO



Enterprise WaveLinx CORE

	Luminaire with standalone sensor	Standalone Spaces WaveLinx LITE	Standalone Spaces WaveLinx CAT	Networked Spaces WaveLinx PRO	Enterprise WaveLinx CORE
Occupancy	Yes	Yes	Yes	Yes	Yes
Daylighting	Yes	Yes	Yes	Yes	Yes
Wallstations	-	Yes	Yes	Yes	Yes
Gateways	-	-	-	1 WAC	300 WACs
Devices (MAX)	-	40 per Area (1120 per space)	40 per Area	200 per WAC2	32,500 per CORE Enterprise
Software	-	WaveLinx LITE Mobile App	WaveLinx CAT Mobile App	WaveLinx Mobile App	CORE
Areas	-	28 per Space	Unlimited	50 per WAC2	up to 3,000
Zones	-	16 per Area	16 per Area	16 per Area	up to 9,000
Scheduling	-	-	-	Local	Global
VividTune™	-	-	-	Yes	Yes
Plug-Load Control	-	Yes	Yes	Yes	Yes
Low-Voltage Power	-	-	Yes	Yes	Yes
Integration	-	-	-	-	BACnet, API
Dashboards	-	-	-	-	Energy, Occupancy
Configuration	-	Installer	Installer	Technician	Technician / IT