



Long Life MR-16

Long Life EXZ 50W GU5.3 12V MR16 24D CL 1CT

Philips Halogen Long Life MR16 lamps make it easy to optimize the look and feel of your brand, your merchandise, and the shoppers experience, with lower operating costs.

Product data

• General Characteristics

Philips Code	14619
ANSI Code Halogen	EXZ
Base	GU5.3
Bulb	MR16 [2inch/50mm]
Bulb Finish	Clear
Operating Position	Universal [Any or Universal (U)]
RatedAvgLife(See Family Notes)	4000 hr
Nominal Lifetime	4000 hr
Rated Lifetime (hours)	4000 hr
Rated Lifetime (years)	4 an

• Light Technical Characteristics

Beam Angle	24 D
Beam Angle Technical	24 D
Approx. MBCP	3700 (max) cd
Color Rendering Index	100 Ra8
Color Temperature	3000 K
Color Temperature technical	3000 K
Rated Luminous Flux	775 Lm
LLMF - end nominal lifetime	80 (min) %
Rated Beam Angle	24 D
Luminous flux in 90° cone	775 Lm

• Electrical Characteristics

Rated Wattage	50.0 W
Watts	50 W

Lamp Wattage Technical	51 W
Power Factor	1 -
Voltage	12 V
Lamp Current	4.2 A
Dimmable	Yes
Starting Time	0.0 s
Warm-up Time to 60% Light Outp	instant full light

• Environmental Characteristics

Energy Efficiency Label (EEL)	B
Energy consumption kWh/1000h	53 kWh

• Measuring Conditions

Switching cycle	16000X
-----------------	--------

• Luminaire Design Requirements

Cap-Base Temperature	350 (max) C
Bulb Temperature	250 (max) C

• Product Dimensions

Overall Length C	46 (max) mm
Diameter D	51 (max) mm

• Product Data

Product number	378174
Full product name	Long Life EXZ 50W GU5.3 12V MR16 24D CL 1CT

PHILIPS

Long Life MR-16

Short product name 50MRC16/NFL24 EXZ 50PK
Pieces per Sku 1
eop_pck_cfg 10X5F
Skus/Case 50
Bar code on pack 46677378172
Bar code on intermediate pack 2005040008397

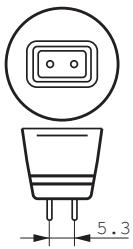
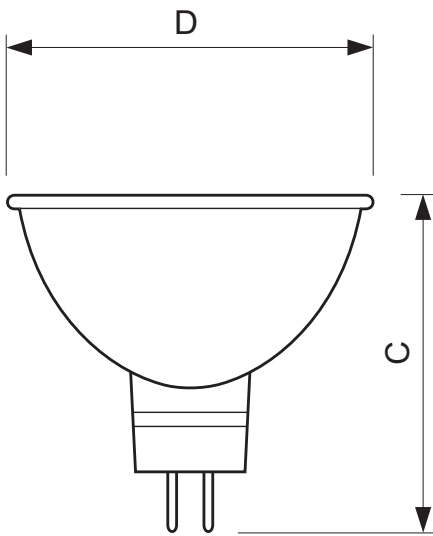
Bar code on case 50046677378177
Logistics code(s) 924050917130
tpd_ilcos_cd HRGS-50-12-GU5.3-50/24
eop_net_weight_pp 30.000 gr

Warnings and Safety

- **CAUTION: THIS LAMP IS PRESSURIZED AND COULD SHATTER** so to avoid injury and to avoid exposure to ultraviolet radiation, this lamp should be used in a fixture that provides a protective shield of

tempered glass. Provide adequate ventilation to ensure that seal temperature does not exceed 350 degrees C and use only in fixtures rated for the wattage stated on this package. To avoid risks of burns or other injury, turn power off and allow lamp to fully cool before attempting to replace. Socket condition may affect lamp life. Inspect and replace socket if deterioration has occurred.

Dimensional drawing



GU5.3

Long Life EXZ 50W GU5.3 12V MR16 24D CL 1CT

Product	C (Max)	D (Max)
DICHRO Pro 14619 50W GU5.3 12V MR16 24D	46	51



© 2014 Koninklijke Philips N.V. (Royal Philips)
All rights reserved.

Specifications are subject to change without notice. Trademarks are the property of
Koninklijke Philips N.V. (Royal Philips) or their respective owners.

www.philips.com/lighting

2014, October 31
data subject to change