

# eW Burst Powercore gen2

Date: \_\_\_\_\_  
Type: \_\_\_\_\_  
Firm Name: \_\_\_\_\_  
Project: \_\_\_\_\_

**4000 K, 10° Spread Lens, White housing, Architectural**

## Exterior architectural and landscape spotlight with single temperature white light

eW Burst Powercore gen2 is a high-output, exterior-rated LED lighting luminaire designed for accent and site lighting. Architectural and Landscape versions deliver high-quality white light output in 2700 K, 3000 K, 3500 K, and 4000 K to support a range of uplighting, floodlighting, and decorative lighting applications.



- Expands customization with a wide range of new accessory options. In addition to the native 8° lens, six different spread lenses can customize the luminaire to produce 10°, 20°, 40°, 60°, 80°, and 10° x 40° (asymmetric) beam angles. Multiple housing color choices plus the option to add a louver, full glare shield, and half glare shield— create new aesthetic possibilities for designers and architects.
- Complies with ASTM B117 corrosion resistance standard for > 1,500 hours and ANSI C136.31-2010 standard with a 3G vibration rating.
- Integrates patented Powercore technology that controls power output to luminaires directly from line voltage – rapidly, efficiently, and accurately. The Color Kinetics Data Enabler Pro merges line voltage with control data and delivers them to luminaires over a single standard cable, dramatically simplifying installation and lowering total system cost.
- Improves durability with new flat lens that prevents water from pooling into the luminaire, keeping the LEDs protected and secure over the course of a luminaire's lifetime.
- Universal power input range of 100 to 277 VAC.
- Precision Dimming—Smooth dimming down to 1% with optional Data Enabler Pro and digital control interface.
- Works seamlessly with the Color Kinetics full range of controllers, including Light System Manager, Video System Manager, Video System Manager Pro, iPlayer 3, Antumbra Color Keypad, and ColorDial Pro—as well as third-party controllers.

For detailed product information, please refer to the Burst Product Guide at [www.colorkinetics.com/global/products/essentialwhite/ew-burst-powercore-gen2/](http://www.colorkinetics.com/global/products/essentialwhite/ew-burst-powercore-gen2/)



The DesignLights Consortium® (DLC) administers the Qualified Products List, a leading resource that identifies quality, high-efficiency LED products and sets the bar for efficiency program incentives in the U.S. and Canada. Visit [designlights.org/qpl](http://designlights.org/qpl) for a complete list of qualified products.



# Specifications

Due to continuous improvements and innovations, specifications may change without notice.

## Output

Color Temperature*	4000 K
Beam Angle	10°
Lumens†	1,847
Efficacy (lm/W)	65.4
CRI	82

## Electrical

Input Voltage	100 to 277 VAC, auto-ranging, 50/60 Hz
Power Consumption (Maximum at full output, steady state)	30 W
Power Factor	> 0.9 @ 100 to 240 VAC > 0.85 @ 277 VAC
Surge Limits¶	0 kV maximum differential (L to N) 0 kV maximum common (L to Gnd or N to Gnd)

For additional Surge Protection Requirements for LED Lighting Systems, please refer to [www.colorkinetics.com/KB/surge-protection](http://www.colorkinetics.com/KB/surge-protection).

## Control

### Dimmer

ON/OFF; precision dimming by 4 conductor cable & Data Enabler Pro	
Remote Monitoring & Management	Philips ActiveSite Ready, works with Interact Landmark

## Lumen Maintenance

Threshold§	Ambient Temperature	Reported¶¶	Calculated¶¶
L <sub>90</sub>	25 °C	28,000	28,000
	50 °C	27,000	27,000
L <sub>70</sub>	25 °C	51,000	84,000
	50 °C	51,000	83,000
L <sub>50</sub>	25 °C	51,000	> 100,000
	50 °C	51,000	> 100,000

\* Correlated color temperature (CCT) complies with ANSI C78.377-2008 for the chromaticity of solid state lighting products.

† Lumen output measurements comply with IES LM-79-08 testing procedures.

‡ Refer to [www.colorkinetics.com/support/appnotes/](http://www.colorkinetics.com/support/appnotes/) for more information.

§ L<sub>xx</sub> = xx% lumen maintenance (when light output drops below xx% of initial output). All values are given at B10, or the median value where 90% of the LED population is better than the reported or calculated lumen maintenance measurement.

¶ Minimum surge limits per IEC 61547, tested in accordance with IEC 61000-4-5.

¶¶ Lumen maintenance figures are based on lifetime prediction graphs supplied by LED source manufacturers. Whenever possible, figures use measurements that comply with IES LM-80-08 testing procedures. In accordance with TM-21-11, Reported values represent the interpolated value based on six times the LM-80-08 total test duration (in hours). Calculated values represent time durations that exceed six times the total test duration.

## Physical

Dimensions (Height x Width x Depth)	287 x 210 x 186 mm (11.3 x 8.3 x 7.3 in)
Weight	5.5 kg (12.1 lb)
Effective Projected Area (EPA)	0.026 m <sup>2</sup> (0.28 ft <sup>2</sup> ) Luminaire plus Full Glare Shield
Housing Material	Die-cast aluminium, white powder-coated finish
Lens	Clear tempered glass
Luminaire Connections	1.8 m (6 ft) unified power/data cable

## Temperature Ranges

-40 to 50 °C (-40 to 122 °F) Operating
-20 to 50 °C (-4 to 122 °F) Startup
-40 to 80 °C (-40 to 176 °F) Storage

## Vibration Resistance

Complies with ANSI C136.31, 3G	
Mechanical Impact	IK08

## Corrosion Resistance

Complies with ASTM B117 standard for > 1,500 hours	
Humidity	0 to 95%, non-condensing

## Luminaire Run Lengths

To calculate luminaire run lengths and total power consumption for your specific installation, download the Configuration Calculator from [www.colorkinetics.com/support/install\\_tool/](http://www.colorkinetics.com/support/install_tool/)

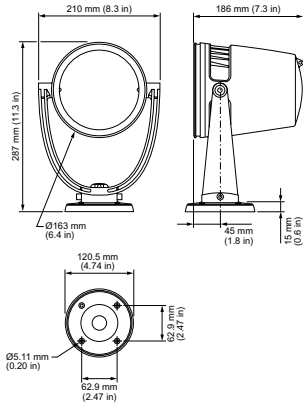
## Certification and Safety

Approbation	UL/cUL, FCC Class A, CE, PSE, CQC, RCM
Certification	DLC
Environment	Dry/Damp/Wet Location, IP66

For additional Energy Efficiency Class Information, please refer to <https://colorkinetics.helpdocs.io/article/cviis2p8qq>.



# Dimensions



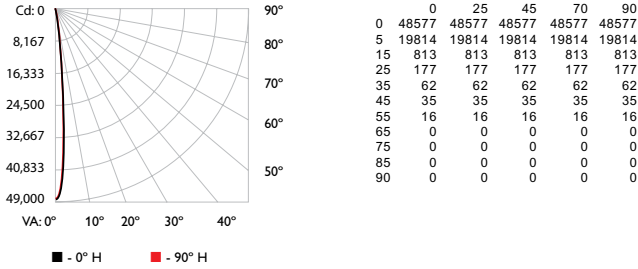
# Photometrics 4000 K, 10° spread lens

Photometric data is based on test results from an independent NIST traceable testing lab. IES data is available at [www.colorkinetics.com/global/support/ies](http://www.colorkinetics.com/global/support/ies).

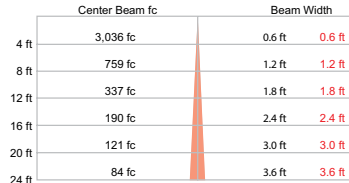
Beam Angle	10°
LEDs @	4000 K
Lumens	1,847
Efficacy (lm/W)	65.4



## Polar Candela Distribution



## Illuminance at Distance



## Zonal Lumen

Zone	Lumens	% Luminaire
0-30	1990.2	97.3%
0-40	2028.4	99.2%
0-60	2045.8	100.0%
60-90	0.0	0.0%
70-100	0.0	0.0%
90-120	0.0	0.0%
0-90	2045.8	100.0%
90-180	0.0	0.0%
0-180	2045.8	100.0%

For lux multiply fc by 10.7

Effective Floor Cavity Reflectance: 20%

RCC %:	80	70	50	30	10	0					
RW %:	70	50	30	0	50	30	20	50	30	20	0
0	1.19	1.19	1.19	1.19	1.19	1.19	1.19	1.19	1.19	1.19	1.19
1	1.16	1.14	1.13	1.11	1.14	1.12	1.11	0.99	1.08	1.07	1.06
2	1.13	1.10	1.08	1.06	1.11	1.09	1.06	0.97	1.05	1.04	1.02
3	1.11	1.07	1.04	1.02	1.09	1.06	1.03	0.96	1.03	1.01	0.99
4	1.08	1.04	1.01	0.99	1.07	1.03	1.00	0.95	1.01	0.99	0.97
5	1.06	1.02	0.99	0.96	1.05	1.01	0.98	0.93	1.00	0.97	0.95
6	1.05	1.00	0.97	0.95	1.03	0.99	0.96	0.92	0.98	0.96	0.94
7	1.03	0.98	0.95	0.93	1.02	0.98	0.95	0.91	0.97	0.94	0.92
8	1.01	0.97	0.94	0.92	1.01	0.96	0.93	0.90	0.95	0.93	0.91
9	1.00	0.95	0.93	0.91	0.99	0.95	0.92	0.90	0.94	0.92	0.90
10	0.99	0.94	0.91	0.90	0.98	0.94	0.91	0.89	0.93	0.91	0.89

# Luminaire and Accessories

Use Item Number when ordering in North America

Luminaire	Item Number	Item 12NC
eW Burst Powercore gen2, 4000 K, White housing, Architectural Luminaire only. Values in this specification sheet represent both the luminaire and spread lens combined. Spread lens available below in Associated Parts.	523-000098-19	912400133376
<b>Associated Parts</b>		
10° Spread Lens	120-000189-18	912400135371
<i>Trim Ring required for mounting. Must be ordered separately.</i>		
<b>Accessories</b>		
Trim Ring, White	120-000189-22	912400135451
Half Glare Shield, White	120-000189-26	912400135455
Full Glare Shield, White	120-000189-30	912400135459
Louver	120-000189-17	912400133447
Mounting Arm, Short, White	120-000201-06	912400135846
Mounting Arm, Medium, White	120-000201-07	912400135847
Mounting Arm, Long, White	120-000201-08	912400135848
Wiring Compartment, 4 in diameter, White, CE	106-000011-41	910503703276
Wiring Compartment, 4 in diameter, White, UL	106-000011-31	910503704148
<b>Power Supplies</b>		
Data Enabler Pro, 3/4 in / 1/2 in NPT (U.S. trade size conduit)	106-000004-00	910503701210
Data Enabler Pro, PG21/PG13 (metric size conduit)	106-000004-01	910503701211

