



# LED MR16

## 6.3MR16/LED/F35/927/D/EC/12V T20 10/1FB

Philips LED MR-16 lamps with single optic technology provide the look and color quality of traditional halogens while using a fraction of the energy. A perfect fit for spot lighting, they are compatible with most existing fixtures with MR16 GU5.3 holders and are designed as a retrofit replacement for halogen or incandescent spots.

### Product data

| General Information                   |                     |
|---------------------------------------|---------------------|
| Base                                  | GU5.3 [ GU5.3]      |
| EU RoHS compliant                     | Yes                 |
| Nominal Lifetime (Nom)                | 25000 h             |
| Switching Cycle                       | 50000X              |
| Light Technical                       |                     |
| Color Code                            | 927 [ CCT of 2700K] |
| Beam Angle (Nom)                      | 35 °                |
| Initial lumen (Nom)                   | 470 lm              |
| Luminous Intensity (Nom)              | 1110 cd             |
| Color Designation                     | Warm White (WW)     |
| Correlated Color Temperature (Nom)    | 2700 K              |
| Luminous Efficacy (rated) (Nom)       | 74.00 lm/W          |
| Color Consistency                     | <3                  |
| Color Rendering Index (Nom)           | 91                  |
| LLMF At End Of Nominal Lifetime (Nom) | 70 %                |
| Operating and Electrical              |                     |
| Input Frequency                       | - Hz                |
| Power (Rated) (Nom)                   | 6.3 W               |
| Lamp Current (Nom)                    | 600 mA              |

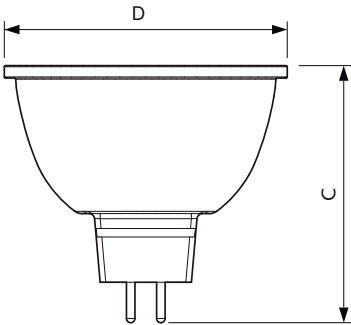
| Wattage Equivalent              | 42 W                                    |
|---------------------------------|---|
| Starting Time (Nom)             | 0.5 s                                   |
| Warm Up Time to 60% Light (Nom) | 0.5 s                                   |
| Power Factor (Nom)              | 0.9                                     |
| Voltage (Nom)                   | ac electronic 12 V                      |
| Temperature                     |   |
| T-Case Maximum (Nom)            | 89 °C                                   |
| Controls and Dimming            |   |
| Dimmable                        | Only with specific dimmers              |
| Mechanical and Housing          |   |
| Bulb Shape                      | MR16 [ 2inch/50mm]                      |
| Approval and Application        |   |
| Suitable For Accent Lighting    | Yes                                     |
| Product Data                    |   |
| Order product name              | 6.3MR16/LED/F35/927/D/EC/12V T20 10/1FB |
| EAN/UPC - Product               | 046677573553                            |
| Order code                      | 573550                                  |

# LED MR16

|                                 |              |
|---------------------------------|--------------|
| Numerator - Quantity Per Pack   | 1            |
| Numerator - Packs per outer box | 10           |
| Material Nr. (12NC)             | 929003080504 |

|                    |          |
|--------------------|----------|
| Net Weight (Piece) | 0.052 kg |
|--------------------|----------|

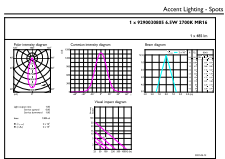
## Dimensional drawing



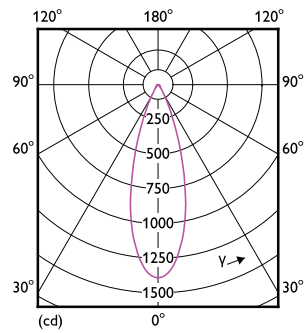
MR16 12V 6.5-42W 485lm 35D 2700K GU5.3 D

| Product                                 | D       | C     |
|---|---------|-------|
| 6.3MR16/LED/F35/927/D/EC/12V T20 10/1FB | 50.5 mm | 46 mm |

## Photometric data

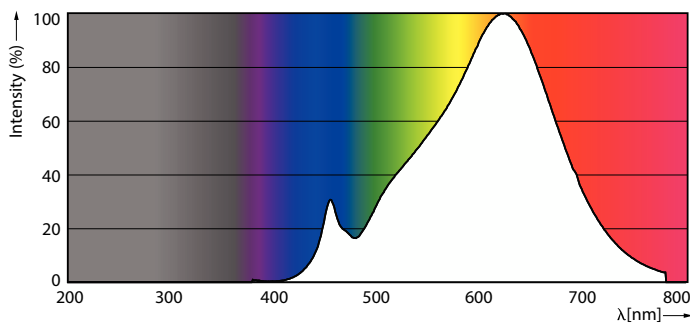


Technical Parameters 11 Page Lighting 1/1 Page 1/1



LEDspots DIM IC 6,3W MR16 GU5,3 927 35D-ADL

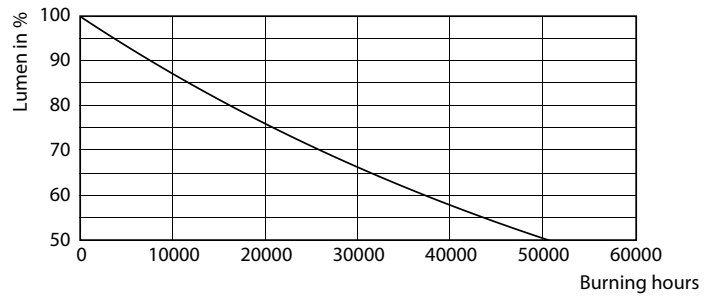
LEDspots DIM IC 6,3W MR16 GU5,3 927 35D-LDD



LEDspots DIM IC 6,3W MR16 GU5,3 927 25D-POC

# LED MR16

## Lifetime



LEDspots LED 25K

LEDspots LMP 25K

