



# Xitanium LED drivers - programmable

## Xitanium 150W 0.35-0.7A Prog GL sXt

Our Xitanium programmable Xtreme LED drivers with global input voltage (UL, ENEC) are designed to deliver high performance, protection and configurability. The Xtreme technology ensures maximum robustness and protection with a very long lifetime. Configuration of programmable drivers can be done via DALI and the MultiOne software.

### Product data

General Information		Output Power (Max)	
Nominal lifetime	100,000 hour(s)	Output Power (Nom)	30-150 W
Lighting Technology	LED	Inrush Current Width to 50% of Peak	140 µs
Operating and Electrical		Diagnostics	True
Line Frequency	50 to 60 Hz	Output Power (Min)	7.5 W
Input Frequency	50 to 60 Hz	Output Current (Min)	50 mA
Total Harmonic Distortion IEC (Max)	20 %	Output Voltage (Max)	280 V
Power Consumption	165 W	Output Voltage (Min)	125 V
Output Current Ripple (Max)	4 %	Number of Products on MCB (16A Type B) (Max)	7
Maximum Efficiency at Full Load	93 %	Wiring	
Output Current (Max)	700 mA	Output Wire Length	19-11/16 inch
Output Current (Nom)	Programmable (350-700) mA	Input Wire Cross Section (Nom)	0.82 mm <sup>2</sup>
Output Current Tolerance (Max)	5 %	System characteristics	
Output Current Tolerance (Min)	-5 %	Central DC Operation	No
Power Factor 50% Load (Min)	0.94	YellowDot ready	No
Earth Leakage Current (Max)	0.7 mA		
Open Circuit Voltage (DC) (Max)	300 V		
Input Current (Max)	700 mA		
Inrush Current Peak (Max)	108 A		

## Xtitanium LED drivers - programmable

### Temperature

Ambient temperature range	-40 °F to 131 °F
T-Case Lifetime (Max)	158 °F
T-Case Lifetime (Nom)	160 °F
T-Case Maximum (Max)	176 °F
Module Temperature Protection	Programmable
T-Case Switch Off (Nom)	198 °F

### Controls and Dimming

Dimmable	Yes
Control Interface	1-10V/DALI/Dynadimmer
Dimming Range	100-10 %
D4i compliant	No
DynaDimmer	Yes
Constant light output	Yes

### Mechanical and Housing

Housing Color	Black
Product Length	9-1/2 inch
Housing	F-CAN 240mm
Overall length	9-1/2 inch
Overall width	2-3/8 inch
Overall height	1-1/2 inch
Dimensions (Height x Width x Depth)	38 x 60 x 241 mm

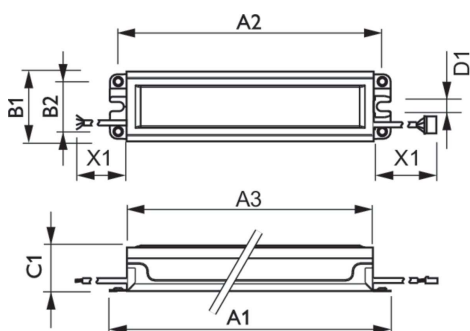
### Approval and Application

Ingress protection code	IP20 [Finger-protected]
Surge Protection (Common/Differential)	Luminaire surge protection level until 6 kV differential mode and 8 kV common mode
Isolation Classification	Class I and Class II
Approval Marks	CCC certificate CE marking CB Certificate ENEC certificate UL certificate
Output Current Set Options	DALI
Protection class IEC	Safety class I/II

### Product Data

Order product name	Xtitanium 150W 0.35-0.7A Prog GL sXt
Full product name	Xtitanium 150W 0.35-0.7A Prog GL sXt
Full product code	872790078351300
Order code	929000702202
Material Nr. (12NC)	929000702202
Numerator - Quantity Per Pack	1
EAN/UPC - Product/Case	8718291999782
Numerator - Packs per outer box	10
EAN/UPC - Case	8727900783513

### Dimensional drawing



Product	D1	A2	B2	C1	A1	A3	X1	B1
Xtitanium	5/16	8-15/16	1-11/16	1-1/2	9-1/2	8-5/16	19-11/16	2-3/8
150W	inch	inch	inch	inch	inch	inch	inch	inch
0.35-0.7A								
Prog GL sXt								

