

ProLine® ABC Series

LED High Bay Luminaire



CUSTOMER NAME _____
 Project Name _____
 Date _____ Type _____
 Catalog Number _____

Ideal for high bay industrial and commercial buildings

- Lumen packages from 10,000–48,500
- Supremely compact—up to 50% smaller and lighter
- Replace 175W–450W HID and four to eight lamp T5/T8 fixtures

Options include:

- Daintree® Controls
- Integrated EMBB (emergency battery backup)
- BAA/TAA

CONSTRUCTION

Housing:	Metal
Lens:	Polycarbonate diffused
Reflector:	White highly reflective polycarbonate
Paint:	Powder coat painted housing, no glass in housing or lenses
Weight:	<ul style="list-style-type: none"> • 6lbs (2.7kg) for up to 24k lumen • 10lbs for 30 and 36k lumen • 20lbs for 48k lumen

PERFORMANCE

Distribution:	<ul style="list-style-type: none"> • 120°, 90° with open optic • 120°, 90° with diffused lens • 55°, 30° with texture diffused lens, 30k lumen and higher • 120°, 90°, 55°, 30° with clear lens, 30k lumen and higher
Lumens:	10,000 – 48,000 lumens
Efficacy:	143–160 LPW typical
CCT:	4000K, 5000K
CRI:	70 & 80 CRI

ELECTRICAL

Input Voltage:	120–277V, 347V, or 480V
Input Frequency:	50/60 Hz
LED Driver Type:	Designed to exceed 100,000hrs of operation at most possible rated conditions
Power Factor (PF)*:	>0.9*
Total Harmonic Distortion (THD)*:	<20%*
Surge Protection:	<ul style="list-style-type: none"> • Tested per ANSI C136.2-2015 • 6kV surge protection, standard for most SKUs • 3kV surge protection, Lumen Output '10' & '12'
EMI:	FCC CFR Title 47 Part 15, Class A

* PF and THD may vary with options

CONTROLS

Dimming:	0–10V, 10% dimming
Controls:	High-end trim, occupancy and ambient light detection with dimming available. Wireless Daintree® options available

LUMEN AMBIENT TEMPERATURE

TYPE	TEMPERATURE RATE
OPERATING TEMPERATURE	–30°C to +50°C (–22°F to 122°F) - 18,000lms and below –30°C to +45°C (–22°F to 113°F) for 24,000lms –30°C to +40°C (–22°F to 104°F) for 30,000lms and above
STORAGE TEMPERATURE	–40°C to +70°C (–40°F to 158°F)

LUMEN MAINTENANCE

LXX(10K) @ Hours	100,000 HR
L70	

MOUNTING

- **Typical Mounting:** Standard Rod/Chain/Cable mount ready. Surface and Pendant mount optional.
- **Standard:** knockout access (no cord, no plug)
 - 6ft, 12ft, 15ft, 20ft Cord options
 - 15A, 20A, Straight or twist lock plug

PACKAGING

- Standard pack is job pack/bulk pack consisting of up to 72 fixtures in 2, 16 cell dividers stacked on a 44" x 48" pallet. Two Fixtures are placed in each divided cell for quick unload at a job site.
- Orders of < 14 fixtures are typically single pack. Single Pack (i.e. for stocking)—Special Option 1PK. Sensor and corded options can be bulk packed or single packed.

DESIGN LIFE & WARRANTY

- **Reliability Testing:** Fixture components designed to exceed 100,000hrs of operation at the worst possible rated conditions. Complete system evaluated at extreme conditions and monitored during production.
- Please refer to the DLC QPL website for the latest and most complete information: <http://www.designlights.org/QPL>
- UL/cUL Listed
- **Current's Limited 5-year Warranty:** Please refer to document [IND599](#) for more information.

ProLine® ABC Series

LED High Bay Luminaire

Catalog Logic and Accessories

CUSTOMER NAME

Project Name _____

Date _____ Type _____

Catalog Number _____

Ordering Information

ABC1

W

PRODUCT ID	VOLTAGE	LUMEN OUTPUT	LED COLOR TEMP	OPTICS/LENS	CONTROLS	MOUNTING	CORD	PLUG	FINISH	OPTIONS
ABC1 = ProLine® Highbay ABC 1 st Gen	0 = 120-277	10 = 10,000	70+ CRI 47 = 4000K 57 = 5000K	Open Optic 1Q = 120° No Lens 9Q = 90° No Lens	QQ = Dimming leads not externally accessible QV ² = 0-10V Dimming	ST = Standard SM = Surface Mount	K = Knockout A = 6 ft. 18ga cord ⁹	Q = None A = 15A Straight Plug ⁹ B = 20A Straight Plug ⁹ C = 15A Twist Lock ⁹ D = 20A Twist Lock ⁹	W = White Powder Coat	Blank = No Special Options 1PK = Single Pack V1 ¹¹ = Adjustable Lumens E20 ^{12, 13} = 20W integrated emergency battery pack, Certified in CA Title 20 MAEDBS. (Bodine BSL20B2) BAA = Buy American Act compliant
	1 = 120 ¹	12 = 12,000	80+ CRI 48 = 4000K 58 = 5000K	Diffused Lens 9D = 90° Diffused Lens	Daintree® Networked: NA = Occupancy & Ambient Light Sensor, w/ Continuous Dimming (full feature) TQ ³ = Wireless Daintree® Enabled (no sensor)	23 = 3/4" Pendant Mount Kit 41 = Y-Cable/Hook 5ft. 42 = Y-Cable/Hook 10ft. 43 = Y-Cable/Hook 15ft. 44 = Y-Cable/Hook 20ft	B = 12 ft. 18ga cord ⁹ C = 15 ft. 18ga cord ⁹ D = 20 ft. 18ga cord ⁹			
	4 = 277 ¹	15 = 15,000		Textured Lens 5T ¹⁰ = 55° Textured Diffused Lens 3T ¹⁰ = 30° Textured Diffused Lens (AISLE)	Daintree® EZ Connect⁴: DF = Occupancy & Ambient light sensor w/ Continuous Dimming					
	D = 347 ¹	18 = 18,000		Clear Lens 1C ¹⁰ = 120° Clear Lens 9C ¹⁰ = 90° Clear Lens 5C ¹⁰ = 55° Clear Lens 3C ¹⁰ = 30° Clear Lens (AISLE) WC ¹⁰ = Wide Parking Garage Optics	Daintree® One⁵: FB = Occupancy & Ambient Light Sensor with Continuous Dimming					
	5 = 480 ¹	24 = 24,000 30 = 30,000 36 = 36,000 48 = 48,000			Daintree® One Options⁶: FF = Occupancy w/ Continuous Dimming FH = Occupancy On/Off FK = Ambient Light Sensor w/ Continuous Dimming FM ⁶ = Ambient Light Sensor On/Off					



70 CRI @ 4000K OR 5000K CCT						
LUMEN PACKAGE	TYPICAL DELIVERED LUMENS	TYPICAL POWER		TYPICAL LPW 120-277V	MAX AMBIENT TEMP	TYPICAL LUMEN IN EMERGENCY MODE
		120-277V	347/480V			
10	9,900	62	64	160	50°C	3200
12	12,000	78	79	154	50°C	3080
15	15,000	107	105	152	50°C	3040
18	18,000	126	124	143	50°C	2860
24	23,600	161	159	147	45°C	2940
30	29,700	190	188	156	40°C	3120
36	35,500	236	234	150	40°C	3000
48	48,500	313	310	155	40°C	3100

Shown with "1Q" 120° No Lens Option

De-rate 5°C for "SM" Surface Mount Option

Add 7W for "E20" option and 10W for "E20" with 347/480V input. (Charging Load)

ORDERING NOTES:

- Specify single voltage if plug or sensor needed. Controls not available at 208V or 240V.
- Contact factory if 5-conductor cord is needed.
- T Wireless Control (no sensor) must use Discrete Voltage for all Lumen packages over 24,000Lm.
- Ambient light detection functionality must be turned on in the Daintree® EZ Connect app.
- Daintree® One devices can be customized and programmed with WHR1 remote.
- 40ft (12m) height, WHR1 IR Remote 93131632.
- 15-45ft (4.6-13.7m) mounting heights.
- 3-conductor cord. Dimming leads separate. Please contact factory if 5-conductor cord is needed.
- Specify discrete voltage for plug. Please see Voltage-Plug table for plug details and restrictions.
- Optic 1C, 9C, WC, 5T, 5C, 3T, and 3C, ONLY available with 30k lumen and above.
- Adjustable Lumen SKUs available, please see table on page 3.
- Emergency unit and 347/480VAC version not available with mounting SM and 23.
- Standard 4-wire cord available (L1, L2, N, G). Not with plugs.

NOTES:

See WHS20 spec sheet for default program parameters and occupancy detection patterns.

- Daintree® Wireless Controls can be upgraded over time for greater functionality.
- WHR1 Remote PN: 93131632
- Daintree® EZ Connect App can be downloaded on the Apple® App Store.
- 40ft (12m) mounting height.

ProLine® ABC Series

LED High Bay Luminaire

Ordering Information

CUSTOMER NAME

Project Name _____

Date _____ Type _____

Catalog Number _____

EMERGENCY BATTERY BACKUP KIT ORDERED SEPARATELY		
SKU#	DESCRIPTION	LUMENS
93059499	ASM2430 50° beam	1750
93059500	ASM2429 120° beam	1650

NOTE: EMBB kit is only compatible with low voltage (120–277V)

NEMA Plug Type				
VOLTAGE	A (15A STRAIGHT)	B (15A TWIST LOCK)	C (20A STRAIGHT)	20D (1A TWIST LOCK)
120	5-15P	L5-15P	5-20P	L5-20P
277	7-15P	L7-15P	7-20P	L7-20P
347	24-15P	N/A	24-20P	L24-20P
480	N/A	N/A	N/A	L8-20P

CRI	LUMENS	CCT	OUTPUT MULTIPLIER
70CRI	All Lumens	5000K	100%
		4000K	100%
80CRI	All Lumens	5000K	95%
		4000K	93%

OPTIC LENS CODE	OPTIC DESCRIPTION	OUTPUT MULTIPLIER
1Q	120° No Lens	100%
1D	120° Diffused Lens	91%
1C	120° Clear Lens	98%
9Q	90° No Lens	96%
9D	90° Diffused Lens	87%
9C	90° Clear Lens	96%
5C	55° Clear Lens	96%
5T	55° Textured Diffused Lens	94%
3C	30° Clear Lens	97%
3T	30° Textured Diffused Lens	95%
WC	Wide Parking Garage Optic	94%

ADJUSTABLE LUMEN POSITIONING		
FAM POSITION	12,000 MAX LUMEN LEVELS	24,000 MAX LUMEN LEVELS
10	12,000	24,000
9	12,000	24,000
8	10,200	20,400
7	8,520	17,040
6	7,680	15,630
5	6,960	13,920
4	5,880	11,760
3	5,640	11,280
2	3,720	7,440
1	3,600	7,200

ADJUSTABLE LUMEN - SKU					
ORDERING SKU	DESCRIPTION	MIN LUMEN	MAX LUMEN	CCT	CRI
93150764	ABC1024571DQQSTKQWV1	7,200	24,000	5,000	70
93150765	ABC1024471DQQSTKQWV1	7,200	24,000	4,000	70
93150766	ABC1012571DQQSTKQWV1	3,600	12,000	5,000	70
93150767	ABC1012471DQQSTKQWV1	3,600	12,000	4,000	70

REPLACEMENT LENSES & OPTICS				
ORDERING SKU	ORDERING CAT # LOGIC	FUTURE CAT# LOGIC	DESCRIPTION	LUMEN
93124932	ABC1_D_KIT	1D or 9D	Diffused Lens Only (2 Lenses)	10–24K
93137714	KIT0158_ABC1_DIFF_LENS_KIT_50PC	1D or 9D	Diffused Lens Only (Lenses for 25 Fixtures)	10–24K
93137715	KIT0159_ABC1_DIFF_LENS_KIT_100PC	1D or 9D	Diffused Lens Only (Lenses for 50 Fixtures)	10–24K
93137716	KIT0160_ABC1_DIFF_LENS_KIT_250PC	1D or 9D	Diffused Lens Only (Lenses for 125 Fixtures)	10–24K
93134986	KIT0156_MLD_ABC1_COVER_REFL_90DEG_KIT	9D or 9C	90° Optic (1 Reflector plate/fixture)	10–24K
93134885	KIT0155_MLD_ABC1_COVER_REFL_KIT	1D or 1Q	120° Optic (1 Reflector plate/fixture)	10–24K
93075866	ABC1 D LENS KIT	1D or 9D	Diffused Lens Only (2 Lenses) *does not change beam angle	30k+
93075867	ABC1 C LENS KIT	1C or 9C	Diffused Lens Only (2 Lenses) *does not change beam angle	30k+
93075988	ABC1 9 REFLECTOR OPTIC KIT	9C or 9D	90° Optic (2 White Reflectors)	30k+
93075989	ABC1 1 REFLECTOR OPTIC KIT	1C or 1D	120° Optic (2 White Reflectors)	30k+
93117671	ABC1 5T OPTIC KIT	5T	Textured Diffused 55° Optic (2 Refractors)	30k+
93075991	ABC1 5C OPTIC KIT	5C	Clear 55° Optic (2 Refractors)	30k+
93117672	ABC1 3T OPTIC KIT	3T	Textured Diffused 30° Optic (2 Refractors)	30k+
93075993	ABC1 3C OPTIC KIT	3C	Clear 30° Optic (2 Refractors)	30k+
93146208	ABV3 WC WIDE PARKING GARAGE OPTIC	WC	WC Lens (10 Lenses)	30k+

ProLine[®] ABC Series LED High Bay Luminaire

Dimensions

CUSTOMER NAME

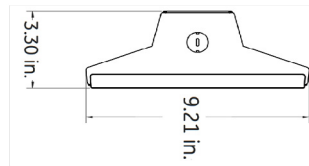
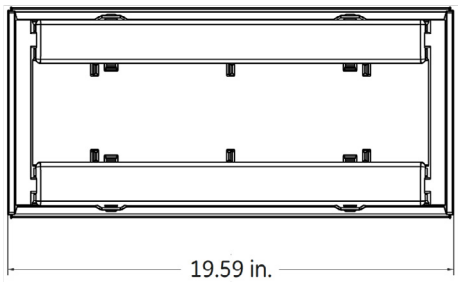
Project Name _____

Date _____ Type _____

Catalog Number _____

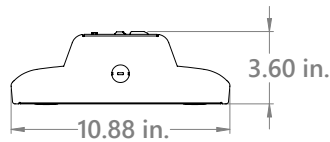
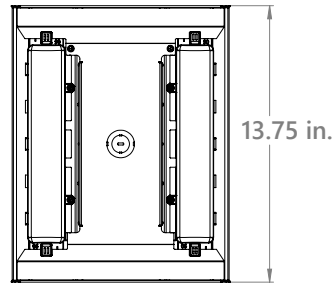
ABC SERIES HIGH BAY LUMINAIRE

Lumen 10–24K



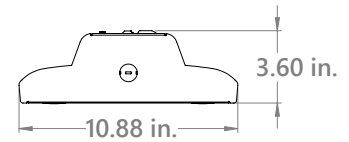
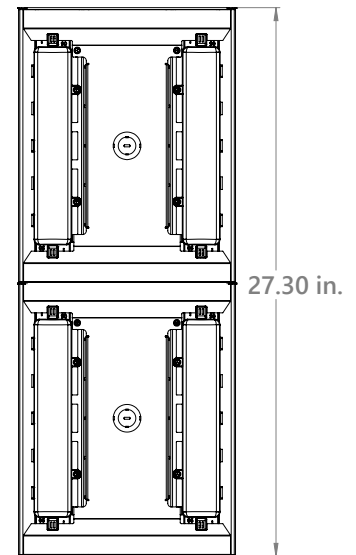
Weight: 6 lbs

Lumen 30–36K



Max Weight: 10 lbs

Lumen 48K



Max Weight: 20 lbs

PACKAGING

Standard pack is job pack/bulk pack consisting of up to 72 fixtures in 2, 16 cell dividers stacked on a 44" x 48" pallet. Two fixtures are placed in each divided cell for quick unload at a job site. Orders of <14 fixtures are typically single pack. Single Pack (i.e. for stocking)—Special Option 1PK. Sensor and corded options can be bulk packed or single packed.

ProLine® ABC Series

LED High Bay Luminaire

Photometric Data

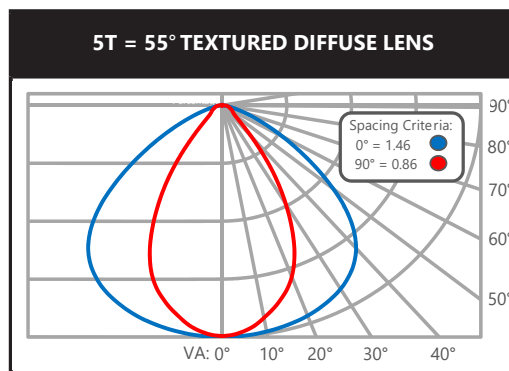
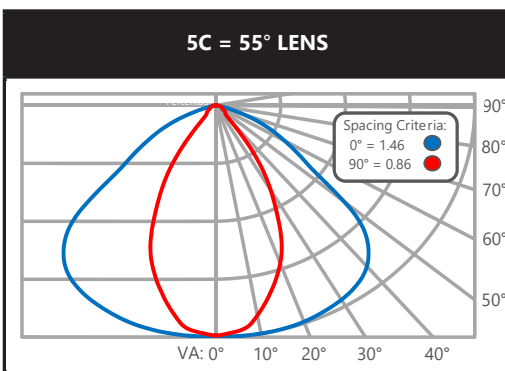
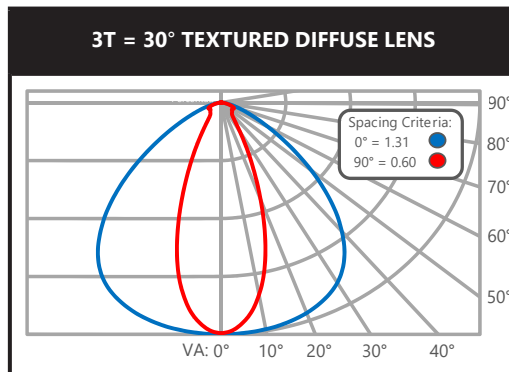
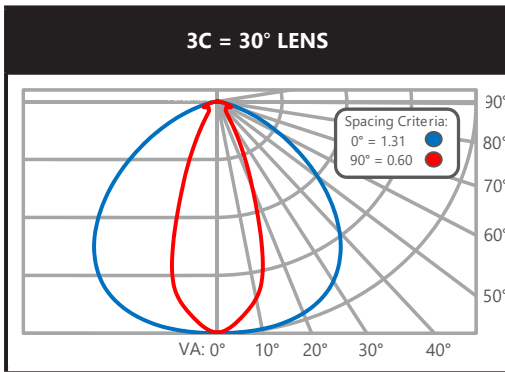
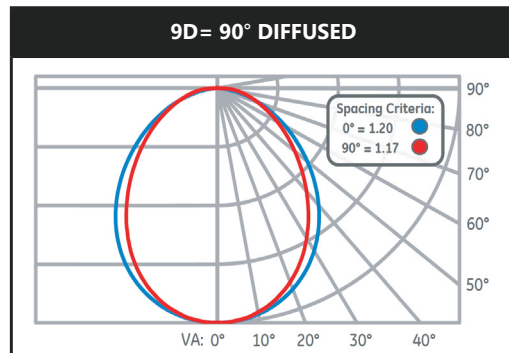
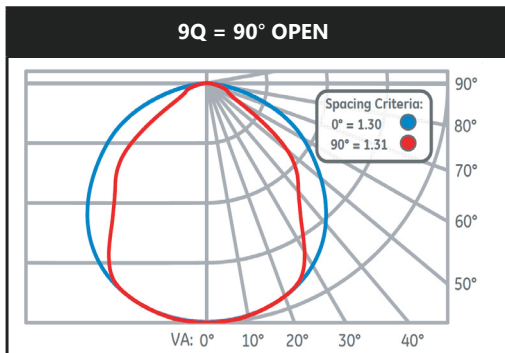
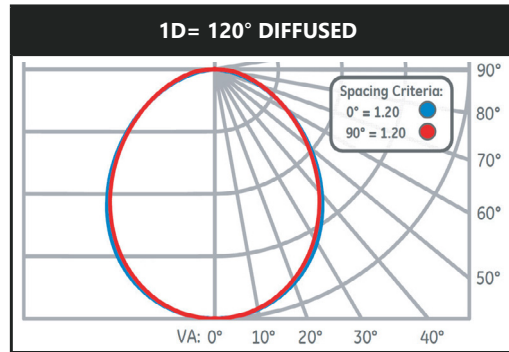
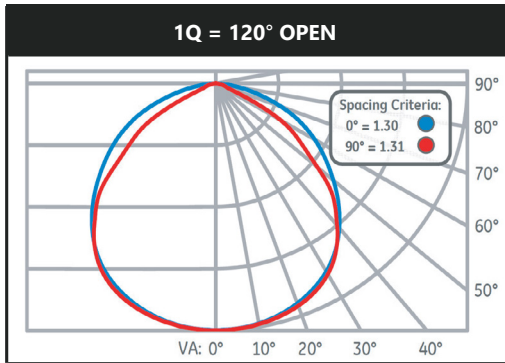
CUSTOMER NAME _____

Project Name _____

Date _____ Type _____

Catalog Number _____

ABC SERIES HIGH BAY LUMINAIRE



ProLine® ABC Series

LED High Bay Luminaire

Photometric Data

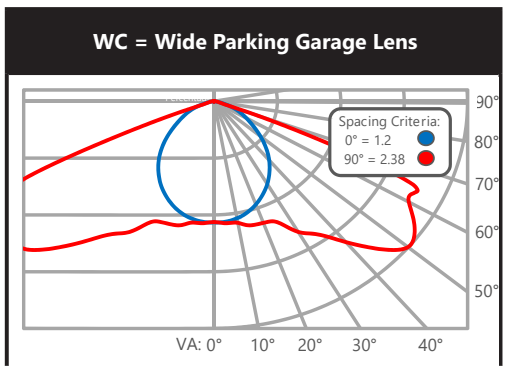
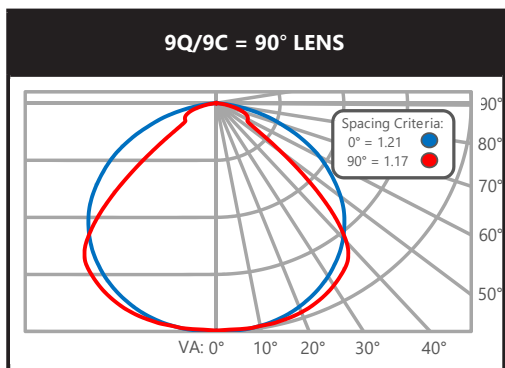
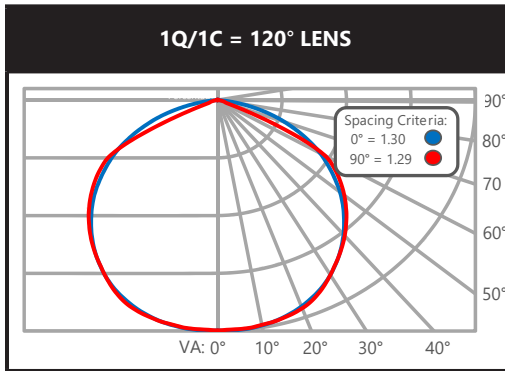
CUSTOMER NAME _____

Project Name _____

Date _____ Type _____

Catalog Number _____

ABC SERIES HIGH BAY LUMINAIRE



ProLine® ABC Series

LED High Bay Luminaire

Mounting & Accessories

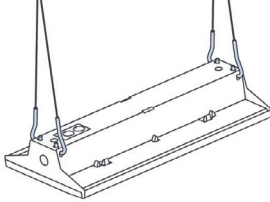
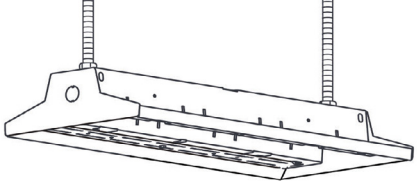
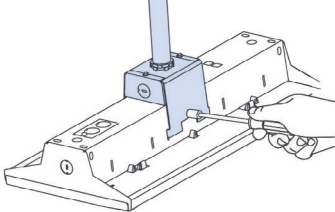
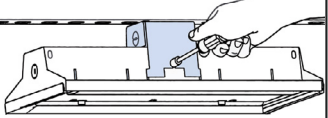

CUSTOMER NAME

Project Name _____

Date _____ Type _____

Catalog Number _____

ABC SERIES HIGH BAY LUMINAIRE

MOUNTING OPTIONS	IMAGE	ORDER LOGIC CODE	ORDER LOGIC CODE
Standard Chain/Cable Mount Available on all fixture configurations (chain not included). Y-Cable w/hook can be ordered as an accessory		ST=Standard	Aftermarket: NA
Rod Mount/Standard Mount Available on all fixture configurations. Attaches to 1/2" threaded rod (rod and nuts not included).			
Pendant Mount (optional) Available on all fixture configurations. Attaches to 3/4" threaded conduit (conduit not included).		23 = 3/4" Pendant Mount Kit	SKU: 93124931 Description: 3/4" Surface Mounting Kit
Surface Mount (optional) Available on all fixture configurations. Attaches to structural member in ceiling (Hardware not included).	 NOTE: 5" distance between ceiling plane and bottom face of fixture; De-rate 5°C	SM = Surface Mount	
Standard Chain/Cable Mount Available on all fixture configurations (chain not included). Y-Cable w/hook can be ordered as an accessory.		41 = Y-Cable/ Hook 5 ft. 42 = Y-Cable/ Hook 10 ft. 43 = Y-Cable/ Hook 15 ft. 44 = Y-Cable/ Hook 20 ft.	5ft Y-Cable/ Hook: 93075756 10ft Y-Cable/ Hook: 93075552 15ft Y-Cable/ Hook: 93075553 20ft Y-Cable/ Hook: 93075554 25ft Y-Cable/ Hook: 93075555 Max Load: 200 lbs. per pair

For Product or Technical Questions:

Email: lightingproinfo@gecurrent.com

Phone: +1 888 694 3533, option 2



ProLine®

Every contractor deserves a
Fast, Reliable, and Trusted Lighting Partner