

ALW G2

LED Selectable Area Light Wave Series **PERFORMANCE XP**

Due to continuous product improvements, specification and/or equipment updates may change without notice.



ALW Medium Area Light

(Images are shown for illustration purposes only)



ALW Large Area Light

The ALW LED Selectable Area Lights Wave Series is a performance-first area light featuring an exclusive housing for an appealing look. Available in multiple finishes, mounts, distributions, and selectable lumen/CCT drivers - this series improves upon the Gen 1 Wave Series and boosts it with SKU Saving excellence.

Catalog Number	Description	Lumens	Watts	CCT	Voltage
ALW LS210 T3 G2 FSK	LED Selectable Area Light - Medium Size - Type III Distribution - Dark Bronze	Selectable 6,370 - 21,000 Lm	Selectable 40 - 150 W	Selectable 4000K - 5000K	120V - 277V
ALW LS210 T3 G2 HVU FSK	LED Selectable Area Light - Medium Size - Type III Distribution - Dark Bronze - High Voltage	Selectable 6,370 - 21,000 Lm	Selectable 40 - 150 W	Selectable 4000K - 5000K	277 - 480 V
ALW LS430 T3 G2 FSK	LED Selectable Area Light - Large Size - Type III Distribution - Dark Bronze	Selectable 24,000 - 47,000 Lm	Selectable 150 - 300 W	Selectable 4000K - 5000K	120V - 277V
ALW LS430 T3 G2 HVU FSK	LED Selectable Area Light - Large Size - Type III Distribution - Dark Bronze - High Voltage	Selectable 24,000 - 47,000 Lm	Selectable 150 - 300 W	Selectable 4000K - 5000K	277 - 480 V

Also available in Type VI, and Type V distribution.

ORDERING GUIDE

Example: **ALW LS210 T3 G2 HVU FSK SG**

Fixture Type	Selectable Lumen Output	Dist. Type	Generation	Voltage	Selectable CCT	Finish	Mount	Options
<ul style="list-style-type: none"> ALW LED Selectable Area Light - Wave Series 	<ul style="list-style-type: none"> LS210 6,370 Lm / 40 W 10,000 Lm / 70 W 14,200 Lm / 100 W 21,000 Lm / 150 W LS430 24,000 Lm / 150 W 28,000 Lm / 200 W 34,000 Lm / 240 W 46,000 Lm / 300 W 	<ul style="list-style-type: none"> T3 Type III T4 Type IV T5 Type V WFL Wide Flood 6Hx7V 	<ul style="list-style-type: none"> G2 Second Generation 	<ul style="list-style-type: none"> BLANK 120-277 V HVU 277-480 V 	<ul style="list-style-type: none"> FSK 4000K 5000K 	<ul style="list-style-type: none"> BLANK Dark Bronze B Black SG Silver W White C* Custom 	<ul style="list-style-type: none"> AL-SPAR Square and Round Pole Mount AL-WMB Wall Mount AL-SFD Slipfitter Mount AL-T Trunnion Mount 	<ul style="list-style-type: none"> PC-1 Twist-lock Photocell (120-277V) PC-2 Twist-lock Photocell (480V) PC-3 Pin receptacle MS-ACI-01 Motion Sensor 120-277V L7 (20'-40' Mounting Height - 80' diameter - 1.3" fitting) RM51 Remote for MS-ACI-01 ALW-M-EGS External Glare Shield (Medium) ALW-L-EGS External Glare Shield (Large)

*For custom color, please call to place your order.

Specifications

Housing

Rugged one-piece, die-cast aluminium, completely sealed against moisture and environmental contaminants.

Ambient Temperature

Suitable for use in -40°C to 45°C (-40°F to 113°F)

Mounting

Mounting options include Square and Round Pole Mount, Wall Mount, Trunnion Mount, and Adjustable Slipfitter Mount.

CCT and CRI

Selectable 4000K and 5000K CCT; 70CRI

Lumen Output

Lumen packages ranging from 6,370 to 46,000 Lumens

Warranty

10-year limited warranty. 1-year labor warranty. Comprehensive warranty terms can be located on www.slgus.com

Electrical

Standard 120-277V or HVU 277V-480V. Standard 1-10V Dimming for 10% to 100% dimming capabilities. Power adjustable: 100%, 80%, 60%, 40%.

Certifications

UL Listed for wet locations. Equivalent to IP65 rating. FCC compliant. RoHs compliant. Design Lights Consortium® (DLC) 5.1 Premium qualification is pending.

Performance Information

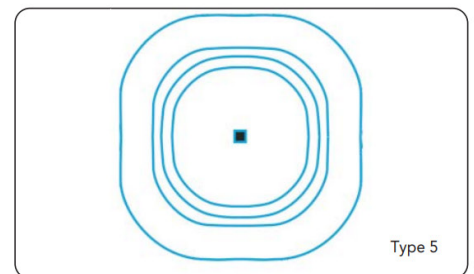
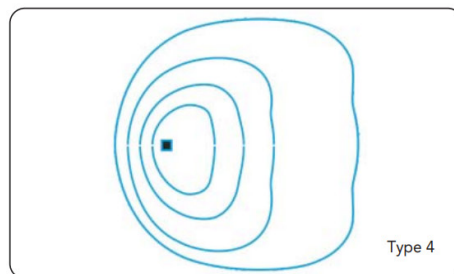
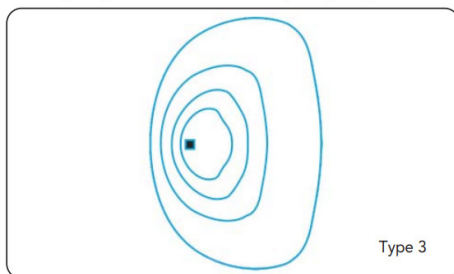
Series Number	Power	Wattage	Dist. Type	4000K		5000K	
				Lumens	LPW	Lumens	LPW
ALW G2 LS210	40%	40 W	3	6,480 Lm	162 Lm/W	6,370 Lm	159 Lm/W
			4	6,480 Lm	162 Lm/W	6,370 Lm	159 Lm/W
			5	6,560 Lm	164 Lm/W	6,450 Lm	161 Lm/W
	60%	70 W	3	10,850 Lm	155 Lm/W	10,670 Lm	152 Lm/W
			4	10,850 Lm	155 Lm/W	10,670 Lm	152 Lm/W
			5	11,000 Lm	157 Lm/W	10,800 Lm	154 Lm/W
	80%	100 W	3	14,800 Lm	148 Lm/W	14,540 Lm	145 Lm/W
			4	14,800 Lm	148 Lm/W	14,540 Lm	145 Lm/W
			5	15,300 Lm	153 Lm/W	15,000 Lm	150 Lm/W
100%	150 W	3	21,600 Lm	144 Lm/W	21,200 Lm	141 Lm/W	
		4	21,600 Lm	144 Lm/W	21,200 Lm	141 Lm/W	
		5	22,650 Lm	151 Lm/W	22,200 Lm	148 Lm/W	
ALW G2 LS430	40%	150 W	3	24,000 Lm	160 Lm/W	23,600 Lm	157 Lm/W
			4	24,000 Lm	160 Lm/W	23,600 Lm	157 Lm/W
			5	24,450 Lm	163 Lm/W	23,940 Lm	160 Lm/W
	60%	200 W	3	30,400 Lm	152 Lm/W	29,800 Lm	149 Lm/W
			4	30,400 Lm	152 Lm/W	29,800 Lm	149 Lm/W
			5	30,800 Lm	154 Lm/W	30,250 Lm	151 Lm/W
	80%	240 W	3	35,040 Lm	146 Lm/W	34,350 Lm	143 Lm/W
			4	35,040 Lm	146 Lm/W	34,350 Lm	143 Lm/W
			5	36,240 Lm	151 Lm/W	35,500 Lm	148 Lm/W
100%	300 W	3	46,000 Lm	153 Lm/W	45,000 Lm	150 Lm/W	
		4	46,000 Lm	153 Lm/W	45,000 Lm	150 Lm/W	
		5	46,000 Lm	153 Lm/W	45,000 Lm	150 Lm/W	

BUG Rating

Model / Setting	B	U	G
ALW LS210 T3 G2 FSK @ 21000Lm & 50K	3	0	3
ALW LS210 T3 G2 FSK @ 21000Lm & 40K	3	0	3
ALW LS210 T4 G2 FSK @ 21000Lm & 50K	3	0	3
ALW LS210 T4 G2 FSK @ 21000Lm & 40K	3	0	3
ALW LS210 T5 G2 FSK @ 21000Lm & 50K	4	0	2
ALW LS210 T5 G2 FSK @ 21000Lm & 40K	4	0	2
ALW LS210 WFL G2 FSK @ 21000Lm & 50K	3	0	3
ALW LS210 WFL G2 FSK @ 21000Lm & 40K	3	0	3

Model / Setting	B	U	G
ALW LS430 T3 G2 FSK @ 43000Lm & 50K	3	0	4
ALW LS430 T3 G2 FSK @ 43000Lm & 40K	3	0	5
ALW LS430 T3 G2 HVU FSK @ 43000Lm & 50K	3	0	4
ALW LS430 T3 G2 HVU FSK @ 43000Lm & 40K	3	0	5
ALW LS430 T4 G2 FSK @ 43000Lm & 50K	3	0	5
ALW LS430 T4 G2 FSK @ 43000Lm & 40K	3	0	5
ALW LS430 T4 G2 HVU FSK @ 43000Lm & 50K	3	0	5
ALW LS430 T4 G2 HVU FSK @ 43000Lm & 40K	3	0	5
ALW LS430 T5 G2 FSK @ 43000Lm & 50K	5	0	4
ALW LS430 T5 G2 FSK @ 43000Lm & 40K	5	0	4
ALW LS430 T5 G2 HVU FSK @ 43000Lm & 50K	5	0	4
ALW LS430 T5 G2 HVU FSK @ 43000Lm & 40K	5	0	4

Photometrics



Mounting & Options



AL-SPAR
(Optional Photocell)



AL-WMB
(Optional Photocell)



AL-SFD
(Optional Photocell)



ALW-EGS



AL-T



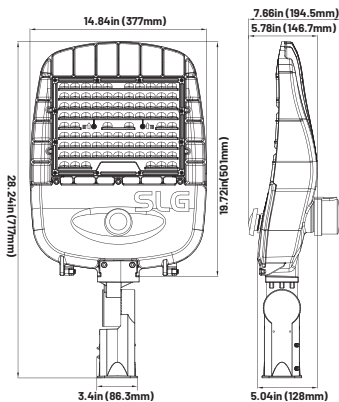
PC-1



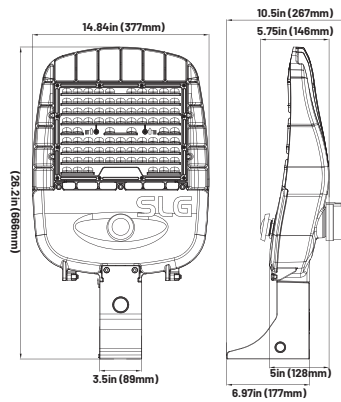
PC-2

Dimensions

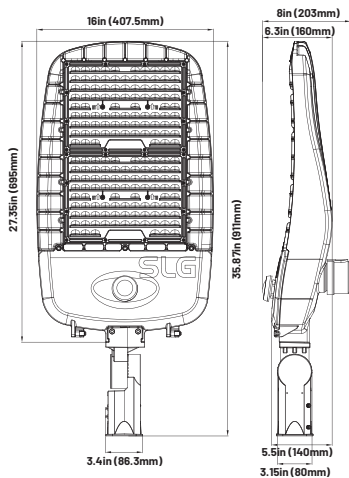
MEDIUM
Slipfitter Mount
WEIGHT: 12.19 LB



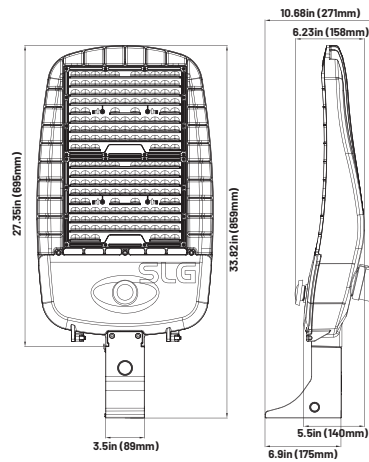
MEDIUM
Pole Mount
WEIGHT: 12.19 LB



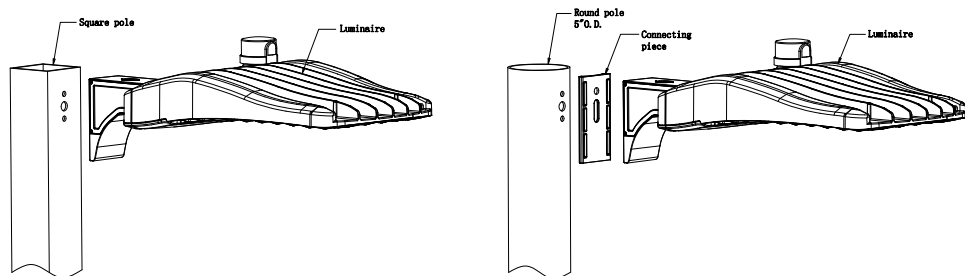
LARGE
Slipfitter Mount
WEIGHT: 20.26 LB



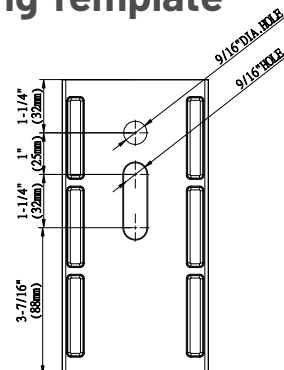
LARGE
Pole Mount
WEIGHT: 20.26 LB



Mounting Dimensions



Drilling Template



EPA Area of Light

	70W 100W 150W 200W	0.6299	1.232	1.493	1.259	1.861	2.095	1.861	
	240W 300W	0.8062	1.458	1.842	1.612	2.264	2.494	2.264	

Electrical Load

	Power Setting	Wattage	Current (A)					Current (A)		
			120V	208V	240V	277V		Wattage	347V	480V
ALW G2 LS210 FSK	Low	40 W	0.33	0.19	0.17	0.14	ALW G2 LS210 HVU FSK	40 W	0.12	0.08
	Med	70 W	0.58	0.34	0.29	0.25		70 W	0.20	0.15
	High	100 W	0.83	0.48	0.42	0.36		100 W	0.29	0.21
	Max	150 W	1.25	0.72	0.63	0.54		150 W	0.43	0.31
ALW G2 LS430 FSK	Low	150 W	1.25	0.72	0.63	0.54	ALW G2 LS430 HVU FSK	150 W	0.43	0.31
	Med	200 W	1.67	0.96	0.83	0.72		200 W	0.58	0.42
	High	240 W	2	1.15	1	0.87		240 W	0.69	0.5
	Max	300 W	2.5	1.44	1.25	1.08		300 W	0.86	0.63

Lumen Ambient Temperature (LAT) Multipliers

Ambient		Lumen Multiplier
0°C	32°F	1.02
10°C	50°F	1.01
20°C	68°F	1.00
25°C	77°F	1.00
30°C	86°F	0.98
40°C	104°F	0.98

Projected Luminaire Maintenance

Ambient Temperature	OPERATING HOURS				Calculated L70 (Hours)
	0	25,000	50,000	100,000	
25°C / 77°F	1	0.95	0.91	0.81	>214,973

Shipping Information



Product Number	Individual Box Size	Individual Box Weight	# Per Carton	# per pallet
ALW LS210 G2 FSK	28.1" x 16.5" x 6.9"	12.19 LBS	1	
ALW LS430 G2 FSK	35.2" x 17.9" x 6.9"	20.26 LBS	1	