

Metalux AP Series

DESCRIPTION

Metalux AP series APPX incorporates a nominal 3" deep precision cell louver into a 4-3/4" deep contoured fixture housing. The APPX is compatible with all of today's popular ceiling systems and is rated for installations when the housing is in direct contact with insulation. The luminaire is designed to offer efficiency and performance for today's interior specifications. The APPX is an excellent choice for commercial office spaces, schools, hospitals or retail merchandising areas.

Catalog #		Type
Project		
Comments		Date
Prepared by		

SPECIFICATION FEATURES

Construction

4-3/4" deep, die embossed housing, die formed of code gauge, cold rolled steel. Ballast/wireway cover is easily removed without tools. Die formed captive lampholder bracket fully encloses lampholder wiring permitting easy lampholder replacement. KOs for continuous row wiring.

Louver

Parabolic cells are held in place with interlocking feature. Mitered corners. Black reveal with integral mechanical light seal around entire perimeter of louver. Louver protected from construction contaminants by polyethylene cover.

Finish

Baked white enamel finish.

Hinging/Latching

Positive spring loaded, self locking, steel latches. Safety lock T-hinges allow hinging and latching from either side.

Compliance

All lamped products utilize DOE qualified lamps and meet all performance requirements. Options to meet Buy American and other domestic preference requirements.

Electrical**

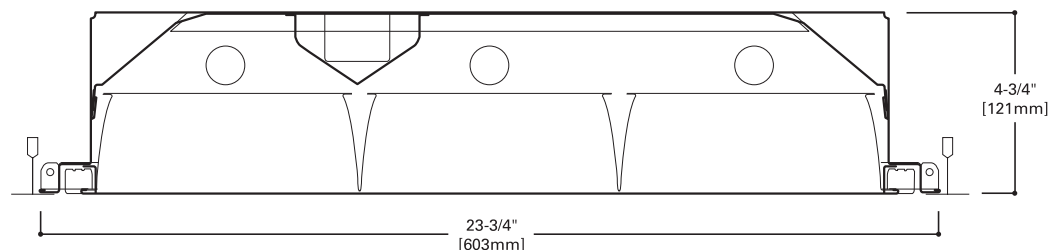
Equipped with T8 NEMA premium ballast. Pressure lock lampholders. UL/CUL listed for Type IC Recessed Luminaire (Rated for direct contact with insulation). Suitable for damp locations.



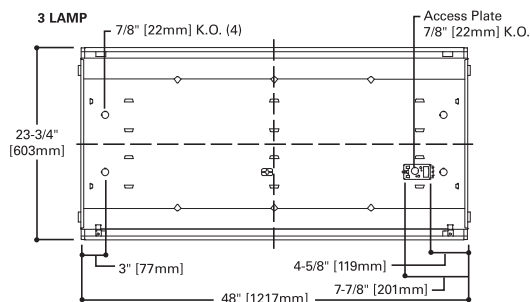
**APPX
332**

9, 18 Cell

**2' X 2', 2' X 4' PARABOLIC
3 T8 LAMPS
SEMI-SPECULAR,
SPECULAR LOUVER**



MOUNTING DATA



SHIPPING INFORMATION

Catalog Number	Pallet WGT.	Qty.
APPX-332	24	20
APPX-332-L935	25.3	20
APPX-332-L935F	26.4	16
APPX-2U6T8	13.7	36

Catalog Number	Product Description	Wattage	UPC
APPX-332	2' x 4', 3 LAMP, T8, PARABOLIC	32W	080083621866
APPX-332-L93	2' x 4', 3 LAMP, T8, PARABOLIC W/ 935 LAMPS	32W	080083621910
APPX-332-L935F	2' x 4', 3 LAMP, T8, PARABOLIC W/ 935 LAMPS & FLEX	32W	080083621903
APPX-2U6T8	2' x 2', 2-U6T8 LAMP, PARABOLIC	32W	080083621880

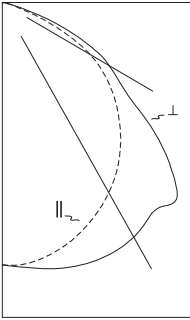
LAMPS CONTAIN MERCURY. DISPOSE ACCORDING TO LOCAL, STATE OR FEDERAL LAWS

LINEAR DISCONNECT

Safe and convenient means of disconnecting power.

**Reference the lamp/ballast data in the Technical Section for specific lamp/ballast requirements.

PHOTOMETRICS



APP-332
 Electronic Ballast
 F32T8/35K Lamps
 3100 Lumens
 Spacing criterion:
 (II) 1.2 x mounting
 height, (L) 1.5 x
 mounting height
 Efficiency 66.3%
 Test Report:
 APP-332.IES

Candlepower

Angle	Along II	45°	Across L
0	2238	2238	2238
5	2239	2252	2270
10	2198	2250	2306
15	2135	2227	2333
20	2051	2185	2343
25	1955	2123	2329
30	1845	2041	2287
35	1719	1941	2211
40	1574	1817	2246
45	1414	1689	2060
50	1248	1536	1678
55	1064	1220	1258
60	846	818	1043
65	546	506	756
70	250	255	421
75	101	106	143
80	47	48	54
85	16	16	16
90	0	0	0

Coefficients of Utilization

rc	Effective floor cavity reflectance																						
	80%				70%				50%				30%				10%				0%		
rw	70	50	30	10	70	50	30	10	50	30	10	50	30	10	50	30	10	50	30	10	50	30	10
RCR																							
0	79	79	79	79	77	77	77	77	74	74	74	71	71	71	68	68	68	66	66	66	66	66	66
1	73	70	68	66	71	69	67	65	66	64	63	64	62	61	61	60	59	58	58	58	58	58	58
2	67	62	58	55	66	61	57	54	59	56	53	57	54	52	55	53	51	49	49	49	49	49	49
3	62	55	50	46	60	54	50	46	52	48	45	50	47	44	49	46	44	42	42	42	42	42	42
4	57	49	44	39	55	48	43	39	47	42	39	45	41	38	44	40	38	36	36	36	36	36	36
5	52	44	38	34	51	43	38	34	42	37	34	41	36	33	39	36	33	32	32	32	32	32	32
6	48	40	34	30	47	39	34	30	38	33	29	37	32	29	36	32	29	28	28	28	28	28	28
7	45	36	30	26	43	35	30	26	34	30	26	33	29	26	33	29	26	24	24	24	24	24	24
8	41	33	27	23	40	32	27	23	31	27	23	31	26	23	30	26	23	22	22	22	22	22	22
9	39	30	25	21	38	30	25	21	29	24	21	28	24	21	27	24	21	20	20	20	20	20	20
10	36	28	22	19	35	27	22	19	27	22	19	26	22	19	25	22	19	18	18	18	18	18	18

Zonal Lumen Summary

Zone	Lumens	%Lamp	%Fixture
0-30	1830	19.7	29.7
0-40	3053	32.8	49.5
0-60	5433	58.4	88.1
0-90	6167	66.3	100.0
0-180	6167	66.3	100.0

Typical VCP Percentages

Room Size (Ft.)	Height Along		Height Across	
	8.5'	10.0'	8.5'	10.0'
20 x 20	69	68	65	64
30 x 30	74	71	70	67
30 x 60	76	73	73	71
60 x 30	79	76	76	72
60 x 60	80	76	77	74