

SYLVANIA Luminaires

ValueLED™ Dusk to Dawn

Application

Ideal for retrofit applications and new constructions, the SYLVANIA ValueLED Dusk to Dawn luminaire is suited for general area lighting, yards, docks, barns, service roads, and security lighting. This luminaire utilizes a traditional appearance while also offering all of the benefits of the latest LED technology.

Benefits and Features

- CCT Selectability increases the flexibility of this product
- Traditional, compact, lightweight design
- Easy to install
- Included NEMA photosensor included for additional energy savings
- Polycarbonate lens, IK08 rating and IP65 rating ensure a durable and long-lasting fixture
- Up to 138 LPW
- 3000K, 4000K and 5000K selectable CCT
- CRI >70
- Offered in 18, 36, or 55 selectable watts
- Type 5 distribution
- Energy savings up to 81%

Electrical

- 120-277V_{AC}
- Power Factor >0.9
- THD <20%
- 0-10V dimmable

Rated Life

- 150,000 hours (L₇₀)

Warranty

- 5-year
- NLB Trusted Warranty Program

Operating Temperature

- -40°F to +104°F (-40°C to +40°C)

Item #
Type
Project
Notes
Date



Wattage Comparison

Traditional Source	Traditional System Wattage	LED System Wattage	Energy Savings
35W HPS	42	18	57%
50W MH	62	18	71%
70W HPS	91	18	80%
70W HPS	91	36	60%
100W HPS	120	36	70%
100W MH	130	36	72%
150W HPS	170	36	79%
150W MH	188	36	81%
150W HPS	170	55	68%
150W MH	188	55	71%
175W MH	210	55	74%
250W MH	290	55	81%

Certifications and Listings

- cULus
- RoHS
- IP65
- FCC
- DLC 5.1 Premium
- IK08
- TAA Compliant

Installation

Intended for direct mounting to a pole or building façade.



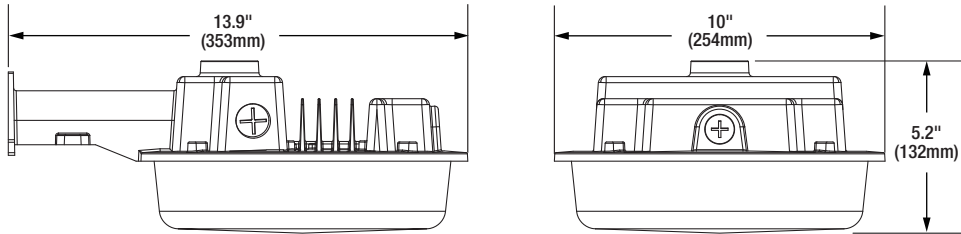
Ordering Guide

AREADTD	2A	/ S055	UNV	D	7	SC2	/ T5	/ GR	/ P
Product Name	Generation	Wattage	Voltage	Dimming	CRI	Color Temp	Distribution	Color/Finish	Option
AREADTD =	2A = Generation 2A	S055 = 18, 36 or 55W selectable	120-277V	D = 0-10V	7 = >70	SC2 = 3000, 4000 or 5000K	T5 = Type V	GR = Gray Finish	P = Photocell
Area Light Dusk to Dawn									

Ordering Information

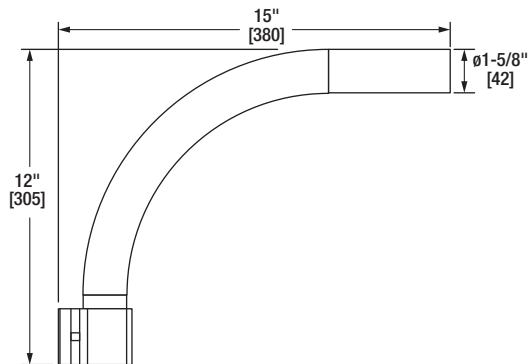
Item Number	Ordering Abbreviation	Power (W)	Input Voltage (V)	Dimming	CRI	Color Temp.	Distribution	Total Fixture Lumens	LPW	DLC	Options
61751	AREADTD2A/S055UNVD7SC2/T5/GR/P	18/36/55	120-277	0-10V	>70	3000, 4000 or 5000K	Type V	up to 7650	138	Premium	Photocell

Physical Information



Accessories and Replacement Parts

Item Number	Ordering Abbreviation	Item Description
60127	AREADTD1A/ARM/24	Mounting Arm



LEDVANCE LLC
 181 Ballardvale Street
 Wilmington, MA 01887 USA
 Phone 1-800-LIGHTBULB (1-800-544-4828)
 www.ledvanceUS.com

SYLVANIA and LEDVANCE are registered trademarks.
 All other trademarks are those of their respective owners.
 Licensee of product trademark SYLVANIA in general lighting.
 Specifications subject to change without notice.

[/sylvania](#) [/sylvania](#)

Name: _____
 Email: _____
 Phone: _____

