

# LEDVANCE LUMINAIRES

## WATTAGE SELECTABLE

### AREA FLOOD

LEDVANCE LUMINAIRE SPECIFICATION DATA

| Catalog #   | Comments |
|-------------|----------|
| Project     |          |
| Type        |          |
| Prepared by |          |

VALUE CLASS™



### APPLICATION

The LEDVANCE Value Class Area Flood luminaires boast wattage selectable capabilities. Optional field-installable sensors allow for motion and control capabilities. Each luminaire ships with a universal mounting bracket allowing easy installation to round and square poles or slip fitters.

### BENEFITS & FEATURES

- Up to 140 LPW
- 3000K, 4000K, or 5000K color temperature
- CRI>80
- Selectable wattage and lumens:
  - 40/60/80W | 5,600/8,400/11,200 lm
  - 90/120/150W | 14,000/17,500/21,000 lm
  - 180/240/300W | 28,000/35,000/40,500 lm
- DLC 5.1 Premium Listing assures high energy efficiency and qualifies this product for utility rebates
- Type III, IV, V distribution options
- Field installable motion/daylight sensor
- Compatible with LEDVANCE LINK™ Bluetooth® controllers and sensors
- 3-pin NEMA receptacle + shorting cap (optional photocell available as an accessory)



## ELECTRICAL

- 120-347VAC (277-480VAC optional)
- Power Factor > 0.9
- THD < 20%
- 0-10V Dimmable
- 6 kV surge protection

## OPERATING TEMPERATURE

- -40°F to +122°F (-40°C to +50°C)

## RATED LIFE

- 100,000 hours (L<sub>70</sub>)

## CERTIFICATIONS & LISTINGS

- cULus listed to UL1598 standards
- RoHs
- FCC
- IP65, wet location
- DLC 5.1 Premium
- Dark Sky compliant\*

## WARRANTY

- 5 year
- NLB Trusted Warranty Program

## INSTALLATION

- Universal mounting bracket included for square and round pole mounting as well as slip fitter mount.

\*3000K products with the bracket fixed in horizontal position only

## WATTAGE COMPARISON

| LED SOURCE WATTAGE/LUMENS | REPLACES TRADITIONAL SOURCE | ENERGY SAVINGS |
|---------------------------|-----------------------------|----------------|
| 80W/11,200lm              | HPS/MH                      | up to 250W     |
| 150W/21,000lm             |                             | up to 400W     |
| 300W/40,500lm             |                             | up to 1000W    |

## ORDERING GUIDE

| AREAFLD              | 5A                 | SXXX  | XXX                              | D                 | 8       | X0                                     | TX   | BZ            |
|----------------------|--------------------|---|----------------------------------|-------------------|---------|--|--|---------------|
| PRODUCT NAME         | GENERATION         | WATTAGE   | VOLTAGE                          | DIMMING           | CRI     | COLOR TEMPERATURE                      | DISTRIBUTION                                 | COLOR/ FINISH |
| AREAFLD = Area Flood | 5A = Generation 5A | S080 = 40/60/80W<br>S150 = 90/120/150W<br>S300 = 180/240/300W | UNH = 120-347V<br>HUV = 277-480V | D = 0-10V Dimming | 8 = >80 | 30 = 3000K<br>40 = 4000K<br>50 = 5000K | T3 = Type III<br>T4 = Type IV<br>T5 = Type V | BZ = Bronze   |

## ORDERING INFORMATION

| ITEM # | ORDERING ABBREVIATION    | WATTAGE (W) | INPUT VOLTAGE (V) | DIM. (V) | CRI | COLOR TEMP (CCT) | DISTRI-BUTION | TOTAL LUMENS (LM)    | LPW (@ 4000K) | BUG RATING | MTO/ PTO** |
|--------|--------------------------|-------------|-------------------|----------|-----|------------------|---------------|----------------------|---------------|------------|------------|
| 63286  | AREAFLD5AS080UNHD840T3BZ | 40/60/80    | 120-347V          | 0-10V    | >80 | 4000K            | TYPE III      | 5,600/8,400/11,200   | 140           | B3U0G3     | -          |
| 63287  | AREAFLD5AS080UNHD840T4BZ | 40/60/80    | 120-347V          | 0-10V    | >80 | 4000K            | TYPE IV       | 5,600/8,400/11,200   | 140           | B3U0G3     | √          |
| 63288  | AREAFLD5AS080UNHD840T5BZ | 40/60/80    | 120-347V          | 0-10V    | >80 | 4000K            | TYPE V        | 5,600/8,400/11,200   | 140           | B3U0G2     | √          |
| 63289  | AREAFLD5AS150UNHD840T3BZ | 90/120/150  | 120-347V          | 0-10V    | >80 | 4000K            | TYPE III      | 14,000/17,500/21,000 | 140           | B3U0G3     | -          |
| 63290  | AREAFLD5AS150UNHD840T4BZ | 90/120/150  | 120-347V          | 0-10V    | >80 | 4000K            | TYPE IV       | 14,000/17,500/21,000 | 140           | B4U0G4     | √          |
| 63291  | AREAFLD5AS150UNHD840T5BZ | 90/120/150  | 120-347V          | 0-10V    | >80 | 4000K            | TYPE V        | 14,000/17,500/21,000 | 140           | B4U0G2     | √          |
| 63292  | AREAFLD5AS300UNHD840T3BZ | 180/240/300 | 120-347V          | 0-10V    | >80 | 4000K            | TYPE III      | 28,000/35,000/40,500 | 140           | B4U0G4     | -          |
| 63293  | AREAFLD5AS300UNHD840T4BZ | 180/240/300 | 120-347V          | 0-10V    | >80 | 4000K            | TYPE IV       | 28,000/35,000/40,500 | 140           | B5U0G5     | √          |
| 63294  | AREAFLD5AS300UNHD840T5BZ | 180/240/300 | 120-347V          | 0-10V    | >80 | 4000K            | TYPE V        | 28,000/35,000/40,500 | 140           | B5U0G3     | -          |

| ITEM # | ORDERING ABBREVIATION    | WATTAGE (W) | INPUT VOLTAGE (V) | DIM. (V) | CRI | COLOR TEMP (CCT) | DISTRIBUTION | TOTAL LUMENS (LM)    | LPW (@ 4000K) | BUG RATING | MTO/PTO** |
|--------|--------------------------|-------------|-------------------|----------|-----|------------------|--------------|----------------------|---------------|------------|-----------|
| 63297  | AREAFLD5AS080UNHD830T3BZ | 40/60/80    | 120-347V          | 0-10V    | >80 | 3000K            | TYPE III     | 5,600/8,400/11,200   | 140           | B3U0G3     | √         |
| 63298  | AREAFLD5AS080UNHD830T4BZ | 40/60/80    | 120-347V          | 0-10V    | >80 | 3000K            | TYPE IV      | 5,600/8,400/11,200   | 140           | B3U0G3     | √         |
| 63299  | AREAFLD5AS080UNHD830T5BZ | 40/60/80    | 120-347V          | 0-10V    | >80 | 3000K            | TYPE V       | 5,600/8,400/11,200   | 140           | B3U0G2     | √         |
| 63300  | AREAFLD5AS150UNHD830T3BZ | 90/120/150  | 120-347V          | 0-10V    | >80 | 3000K            | TYPE III     | 14,000/17,500/21,000 | 140           | B3U0G3     | √         |
| 63301  | AREAFLD5AS150UNHD830T4BZ | 90/120/150  | 120-347V          | 0-10V    | >80 | 3000K            | TYPE IV      | 14,000/17,500/21,000 | 140           | B4U0G4     | √         |
| 63302  | AREAFLD5AS150UNHD830T5BZ | 90/120/150  | 120-347V          | 0-10V    | >80 | 3000K            | TYPE V       | 14,000/17,500/21,000 | 140           | B4U0G2     | √         |
| 63303  | AREAFLD5AS300UNHD830T3BZ | 180/240/300 | 120-347V          | 0-10V    | >80 | 3000K            | TYPE III     | 28,000/35,000/40,500 | 140           | B4U0G4     | √         |
| 63304  | AREAFLD5AS300UNHD830T4BZ | 180/240/300 | 120-347V          | 0-10V    | >80 | 3000K            | TYPE IV      | 28,000/35,000/40,500 | 140           | B5U0G5     | √         |
| 63305  | AREAFLD5AS300UNHD830T5BZ | 180/240/300 | 120-347V          | 0-10V    | >80 | 3000K            | TYPE V       | 28,000/35,000/40,500 | 140           | B5U0G3     | √         |
| 63306  | AREAFLD5AS080UNHD850T3BZ | 40/60/80    | 120-347V          | 0-10V    | >80 | 5000K            | TYPE III     | 5,600/8,400/11,200   | 140           | B3U0G3     | -         |
| 63307  | AREAFLD5AS080UNHD850T4BZ | 40/60/80    | 120-347V          | 0-10V    | >80 | 5000K            | TYPE IV      | 5,600/8,400/11,200   | 140           | B3U0G3     | √         |
| 63308  | AREAFLD5AS080UNHD850T5BZ | 40/60/80    | 120-347V          | 0-10V    | >80 | 5000K            | TYPE V       | 5,600/8,400/11,200   | 140           | B3U0G2     | √         |
| 63309  | AREAFLD5AS150UNHD850T3BZ | 90/120/150  | 120-347V          | 0-10V    | >80 | 5000K            | TYPE III     | 14,000/17,500/21,000 | 140           | B3U0G3     | -         |
| 63310  | AREAFLD5AS150UNHD850T4BZ | 90/120/150  | 120-347V          | 0-10V    | >80 | 5000K            | TYPE IV      | 14,000/17,500/21,000 | 140           | B4U0G4     | √         |
| 63311  | AREAFLD5AS150UNHD850T5BZ | 90/120/150  | 120-347V          | 0-10V    | >80 | 5000K            | TYPE V       | 14,000/17,500/21,000 | 140           | B4U0G2     | -         |
| 63312  | AREAFLD5AS300UNHD850T3BZ | 180/240/300 | 120-347V          | 0-10V    | >80 | 5000K            | TYPE III     | 28,000/35,000/40,500 | 140           | B4U0G4     | -         |
| 63313  | AREAFLD5AS300UNHD850T4BZ | 180/240/300 | 120-347V          | 0-10V    | >80 | 5000K            | TYPE IV      | 28,000/35,000/40,500 | 140           | B5U0G5     | -         |
| 63314  | AREAFLD5AS300UNHD850T5BZ | 180/240/300 | 120-347V          | 0-10V    | >80 | 5000K            | TYPE V       | 28,000/35,000/40,500 | 140           | B5U0G3     | -         |
| 63687  | AREAFLD5AS080HUV830T3BZ  | 40/60/80    | 277-480V          | 0-10V    | >80 | 3000K            | TYPE III     | 5,600/8,400/11,200   | 140           | B3U0G3     | √         |
| 63688  | AREAFLD5AS080HUV830T4BZ  | 40/60/80    | 277-480V          | 0-10V    | >80 | 3000K            | TYPE IV      | 5,600/8,400/11,200   | 140           | B3U0G3     | √         |
| 63689  | AREAFLD5AS080HUV830T5BZ  | 40/60/80    | 277-480V          | 0-10V    | >80 | 3000K            | TYPE V       | 5,600/8,400/11,200   | 140           | B3U0G2     | √         |
| 63690  | AREAFLD5AS080HUV840T3BZ  | 40/60/80    | 277-480V          | 0-10V    | >80 | 4000K            | TYPE III     | 5,600/8,400/11,200   | 140           | B3U0G3     | √         |
| 63691  | AREAFLD5AS080HUV840T4BZ  | 40/60/80    | 277-480V          | 0-10V    | >80 | 4000K            | TYPE IV      | 5,600/8,400/11,200   | 140           | B3U0G3     | √         |
| 63692  | AREAFLD5AS080HUV840T5BZ  | 40/60/80    | 277-480V          | 0-10V    | >80 | 4000K            | TYPE V       | 5,600/8,400/11,200   | 140           | B3U0G2     | √         |
| 63693  | AREAFLD5AS080HUV850T3BZ  | 40/60/80    | 277-480V          | 0-10V    | >80 | 5000K            | TYPE III     | 5,600/8,400/11,200   | 140           | B3U0G3     | √         |
| 63694  | AREAFLD5AS080HUV850T4BZ  | 40/60/80    | 277-480V          | 0-10V    | >80 | 5000K            | TYPE IV      | 5,600/8,400/11,200   | 140           | B3U0G3     | √         |
| 63695  | AREAFLD5AS080HUV850T5BZ  | 40/60/80    | 277-480V          | 0-10V    | >80 | 5000K            | TYPE V       | 5,600/8,400/11,200   | 140           | B3U0G2     | √         |
| 63696  | AREAFLD5AS150HUV830T3BZ  | 90/120/150  | 277-480V          | 0-10V    | >80 | 3000K            | TYPE III     | 14,000/17,500/21,000 | 140           | B3U0G3     | √         |
| 63697  | AREAFLD5AS150HUV830T4BZ  | 90/120/150  | 277-480V          | 0-10V    | >80 | 3000K            | TYPE IV      | 14,000/17,500/21,000 | 140           | B4U0G4     | √         |
| 63698  | AREAFLD5AS150HUV830T5BZ  | 90/120/150  | 277-480V          | 0-10V    | >80 | 3000K            | TYPE V       | 14,000/17,500/21,000 | 140           | B4U0G2     | √         |
| 63699  | AREAFLD5AS150HUV840T3BZ  | 90/120/150  | 277-480V          | 0-10V    | >80 | 4000K            | TYPE III     | 14,000/17,500/21,000 | 140           | B3U0G3     | √         |
| 63700  | AREAFLD5AS150HUV840T4BZ  | 90/120/150  | 277-480V          | 0-10V    | >80 | 4000K            | TYPE IV      | 14,000/17,500/21,000 | 140           | B4U0G4     | √         |
| 63701  | AREAFLD5AS150HUV840T5BZ  | 90/120/150  | 277-480V          | 0-10V    | >80 | 4000K            | TYPE V       | 14,000/17,500/21,000 | 140           | B4U0G2     | √         |
| 63702  | AREAFLD5AS150HUV850T3BZ  | 90/120/150  | 277-480V          | 0-10V    | >80 | 5000K            | TYPE III     | 14,000/17,500/21,000 | 140           | B3U0G3     | √         |
| 63703  | AREAFLD5AS150HUV850T4BZ  | 90/120/150  | 277-480V          | 0-10V    | >80 | 5000K            | TYPE IV      | 14,000/17,500/21,000 | 140           | B4U0G4     | √         |

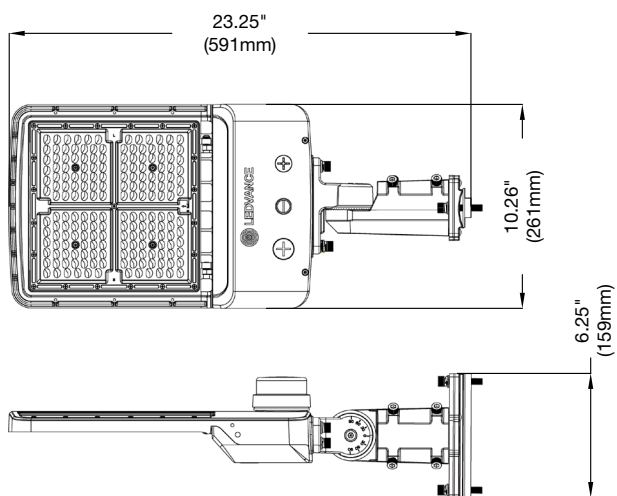
| ITEM # | ORDERING ABBREVIATION   | WATTAGE (W) | INPUT VOLTAGE (V) | DIM. (V) | CRI | COLOR TEMP (CCT) | DISTRIBUTION | TOTAL LUMENS (LM)    | LPW (@ 4000K) | BUG RATING | MTO/PTO** |
|--------|-------------------------|-------------|-------------------|----------|-----|------------------|--------------|----------------------|---------------|------------|-----------|
| 63704  | AREAFLD5AS150HUV850T5BZ | 90/120/150  | 277-480V          | 0-10V    | >80 | 5000K            | TYPE V       | 14,000/17,500/21,000 | 140           | B4U0G2     | ✓         |
| 63705  | AREAFLD5AS300HUV830T3BZ | 180/240/300 | 277-480V          | 0-10V    | >80 | 3000K            | TYPE III     | 28,000/35,000/40,500 | 140           | B4U0G4     | ✓         |
| 63706  | AREAFLD5AS300HUV830T4BZ | 180/240/300 | 277-480V          | 0-10V    | >80 | 3000K            | TYPE IV      | 28,000/35,000/40,500 | 140           | B5U0G5     | ✓         |
| 63707  | AREAFLD5AS300HUV830T5BZ | 180/240/300 | 277-480V          | 0-10V    | >80 | 3000K            | TYPE V       | 28,000/35,000/40,500 | 140           | B5U0G3     | ✓         |
| 63708  | AREAFLD5AS300HUV840T3BZ | 180/240/300 | 277-480V          | 0-10V    | >80 | 4000K            | TYPE III     | 28,000/35,000/40,500 | 140           | B4U0G4     | ✓         |
| 63709  | AREAFLD5AS300HUV840T4BZ | 180/240/300 | 277-480V          | 0-10V    | >80 | 4000K            | TYPE IV      | 28,000/35,000/40,500 | 140           | B5U0G5     | ✓         |
| 63710  | AREAFLD5AS300HUV840T5BZ | 180/240/300 | 277-480V          | 0-10V    | >80 | 4000K            | TYPE V       | 28,000/35,000/40,500 | 140           | B5U0G3     | ✓         |
| 63711  | AREAFLD5AS300HUV850T3BZ | 180/240/300 | 277-480V          | 0-10V    | >80 | 5000K            | TYPE III     | 28,000/35,000/40,500 | 140           | B4U0G4     | ✓         |
| 63712  | AREAFLD5AS300HUV850T4BZ | 180/240/300 | 277-480V          | 0-10V    | >80 | 5000K            | TYPE IV      | 28,000/35,000/40,500 | 140           | B5U0G5     | ✓         |
| 63713  | AREAFLD5AS300HUV850T5BZ | 180/240/300 | 277-480V          | 0-10V    | >80 | 5000K            | TYPE V       | 28,000/35,000/40,500 | 140           | B5U0G3     | ✓         |

\*\*MTO = Made to Order | PTO = Purchase to Order

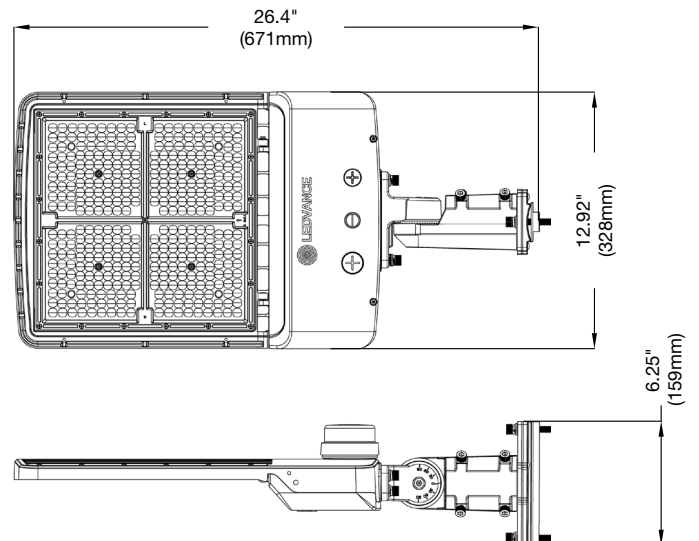
## PHYSICAL INFORMATION

| LUMINAIRE DESCRIPTION  | LENGTH IN (MM) | WIDTH IN (MM) | HEIGHT IN (MM) | WEIGHT LB (KG) | EPA      |
|------------------------|----------------|---------------|----------------|----------------|----------|
| 40/60/80W, 90/120/150W | 23.25 (591)    | 10.26 (261)   | 6.25 (159)     | 7.9 (3.6)      | 1.32 ft² |
| 180/240/300W           | 26.4 (671)     | 12.92 (328)   | 6.25 (159)     | 10.1 (4.6)     | 2.02 ft² |

### 80W-150W

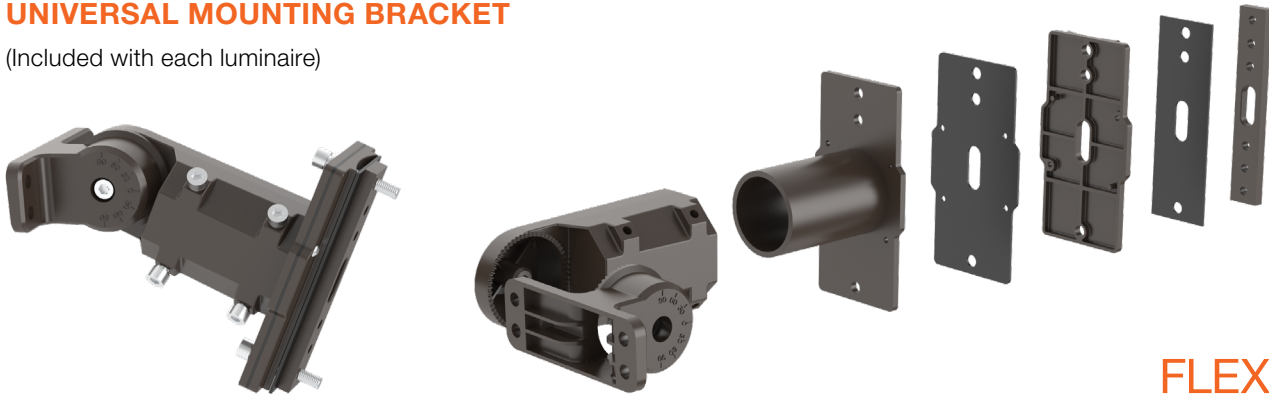


### 300W



## UNIVERSAL MOUNTING BRACKET

(Included with each luminaire)



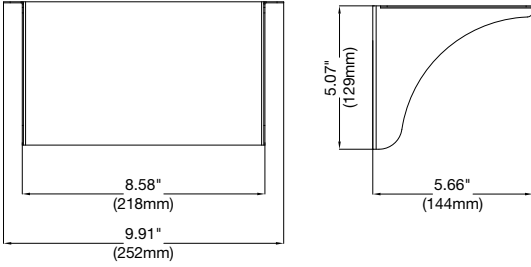
**FLEXMOUNT**

## ACCESSORIES (SOLD SEPARATELY)

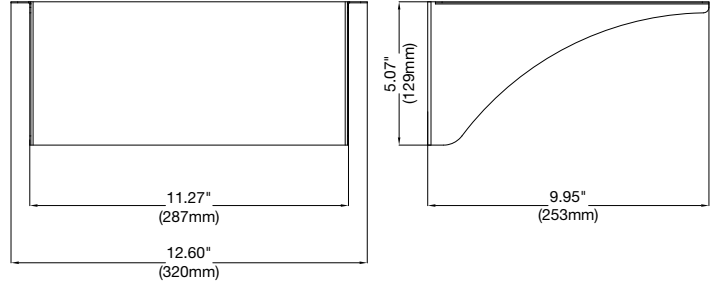
| ITEM #                            | ORDERING ABBREVIATION      | ITEM DESCRIPTION   |
|-----------------------------------|----------------------------|--|
| <b>Visors</b>                     |                            |  |
| 63679                             | AREAFLD5A/SMVISORFB/BZ     | Small Visor, Front and Back, Bronze (for 80 and 150W)  |
| 63680                             | AREAFLD5A/SMVISORLR/BZ     | Small Visor, Left and Right, Bronze (for 80 and 150W)  |
| 63681                             | AREAFLD5A/LRGVISORFB/BZ    | Large Visor, Front and Back, Bronze (for 300W)   |
| 63682                             | AREAFLD5A/LRGVISORLR/BZ    | Large Visor, Left and Right, Bronze (for 300W)   |
| <b>Yoke Mounting</b>              |                            |  |
| 65436                             | AREAFLD5ASMYOKEMTBZ        | Small Yoke Mount, Bronze (for 80W and 150W)  |
| 65437                             | AREAFLD5ALRGYOKEMTBZ       | Large Yoke Mount, Bronze (for 300W)  |
| <b>Sensors</b>                    |                            |  |
| 63748                             | AREA/PIRMOTIONDAYSENSOR/BZ | Field installable PIR DC Motion/Daylight Sensor, Bronze, IP65, Max. mounting height 39ft       |
| 65732                             | AREA/MWMOTIONDAYSENSOR/BZ  | Field installable Microwave DC Motion/Daylight Sensor, IP65, Bronze, Max. mounting height 49ft |
| 62664                             | HIGHBAYPIRMOTIONDAYSENSOR2 | Field installable PIR DC Motion/Daylight Sensor, White, IP65, Max. mounting height 39ft        |
| 65622                             | HIGHBAYMOTIONDAYSENSOR     | Field installable Microwave DC Motion/Daylight Sensor, IP65, White, Max. mounting height 49ft  |
| 65623                             | REMOTE/MOTIONDAY/001       | Remote control for Motion/Daylight Sensors – Remote is required to change default settings     |
| 63652                             | SENSORADAPTER1A            | Sensor adapter for LEDVANCE LINK™ sensors  |
| 62634                             | SENSORHB/PIRAUX12V/BLE     | Bluetooth mesh wireless controller and sensor, LEDVANCE LINK™                                  |
| <b>Photocells</b>                 |                            |  |
| 61393                             | AREAFLDXANEMAPHOTOCELLUNV  | Area/Flood Nema Photocell 120-277V   |
| 61394                             | AREAFLDXANEMAPHOTOCELL347  | Area/Flood Nema Photocell 347V   |
| 61395                             | AREAFLDXANEMAPHOTOCELL480  | Area/Flood Nema Photocell 480V   |
| 61397                             | NEMASHORTINGCAP            | Shorting Cap   |
| <b>LEDVANCE LINK™ accessories</b> |                            |  |
| 63652                             | SENSORADAPTER1A            | Sensor adapter for LEDVANCE LINK™ sensors  |
| 62634                             | SENSORHB/PIRAUX12V/BLE     | Bluetooth® mesh wireless controller and sensor, LEDVANCE LINK™                                 |
| 62630                             | ADAPTER/AUX12V/BLE         | Bluetooth® Mesh low voltage controller- BLE enabled fixture                                    |

## VISOR ACCESSORIES: PHYSICAL INFORMATION

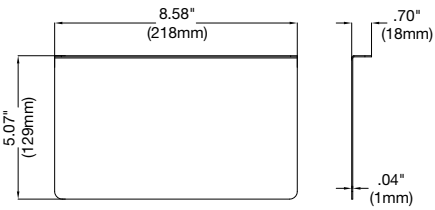
**80W-150W FRONT AND BACK VISOR**



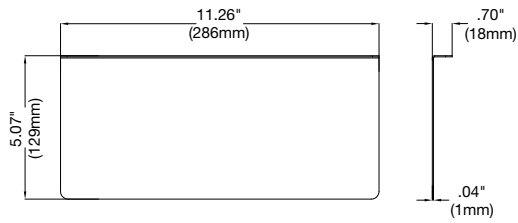
**300W FRONT AND BACK VISOR**



**80W-150W LEFT AND RIGHT VISOR**



**300W LEFT AND RIGHT VISOR**



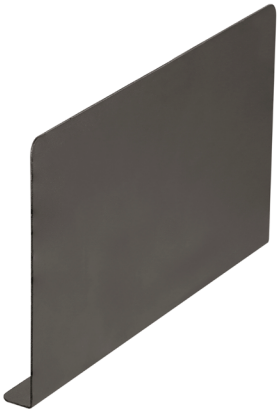
**FRONT AND BACK VISOR**



**FRONT AND BACK VISOR ATTACHED**



**LEFT AND RIGHT SIDE VISOR**

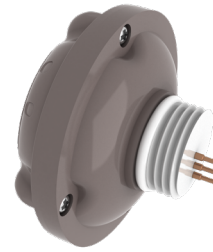


**SIDE VISOR ATTACHED**



## OPTIONAL MOTION/DAYLIGHT SENSOR DEFAULT SETTINGS

|  |            |
|--|------------|
| Detection Area   | 100%       |
| Hold time – Time fixtures stays at 100% after last motion before dimming | 10 minutes |
| Daylight threshold – Light level above which lights will remain off      | 50 Lux     |
| Stand-by period – Time light remains dimmed before shutting off          | 60 minutes |
| Stand-by Dimming – dimming level of light during the stand-by period     | 30%        |



**MOTION SENSOR**  
**Bronze: 63748/65732**  
**White: 62664/65662**



**REMOTE**  
**(65623)**

## OPTIONAL LEDVANCE LINK™ ACCESSORIES



**BLUETOOTH® MESH WIRELESS CONTROLLER & SENSOR, LEDVANCE LINK (62634)**



**SENSOR ADAPTER FOR LEDVANCE LINK™ SENSORS (63652)**

## BENEFITS & FEATURES

- The LEDVANCE LINK™ Bluetooth® Mesh Low Voltage components use Bluetooth® technology for easy and secure wireless communication
- Enables regular LEDVANCE luminaires to become Bluetooth® enabled and allows for luminaires to be turned on/off and dimmed (manual or auto)
- Components can be used up to 40ft fixture mounting height
- Control using either the LEDVANCE LINK™ smart phone app or the wireless wall switch

## SENSOR INFORMATION

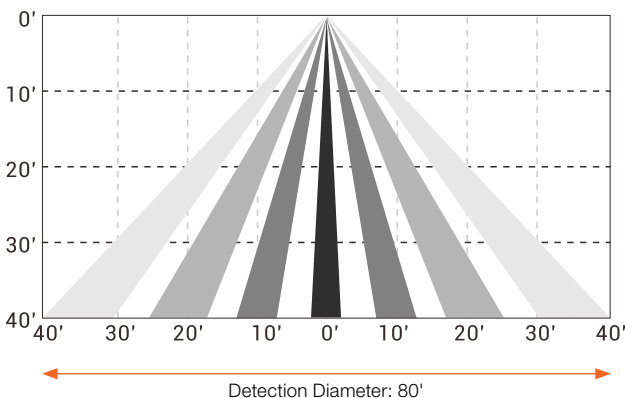
- Input voltage: 12Vdc
- Bluetooth® transmit line distance: 100ft
- Detection range: 48-80ft
- Rated current: 55mA
- Dimming: 0-10V
- Infrared sensor: Omni-directional quad element pyroelectric
- Mounting height: 15-40ft
- Detectable speed: 1~10 ft/sec (0.3~3 m/sec)
- Operating temperature: -40°F~131°F (-40°C~55°C)
- Operating humidity: IP66
- Protocol: Bluetooth® Mesh BLE Proprietary



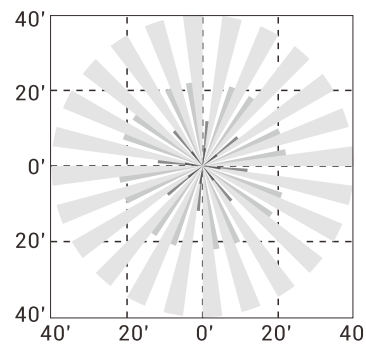
COMMISSIONING GUIDE

### MOUNTING HEIGHT: UP TO 40'

#### Detection Coverage Side View



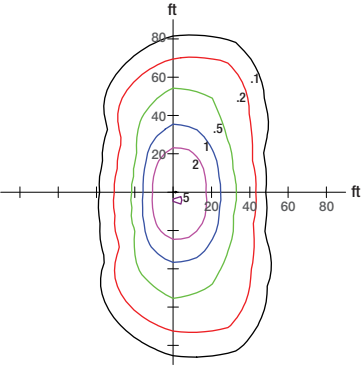
#### Detection Coverage Top View



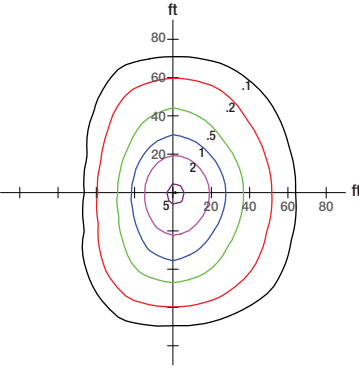
# PHOTOMETRIC INFORMATION

## HORIZONTAL ISO FOOT-CANDLE PLOT

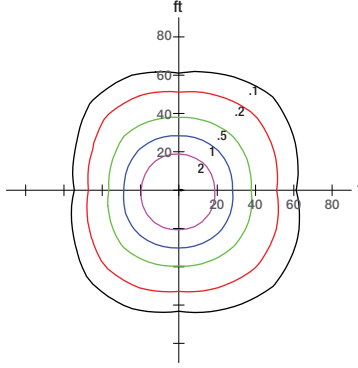
**80W Fixture, Type III Distribution, Mounted at 20' mounting height**



**80W Fixture, Type IV Distribution, Mounted at 20' mounting height**

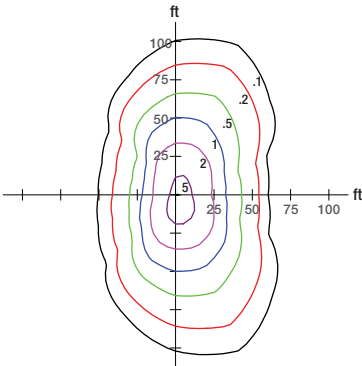


**80W Fixture, Type V Distribution, Mounted at 20' mounting height**

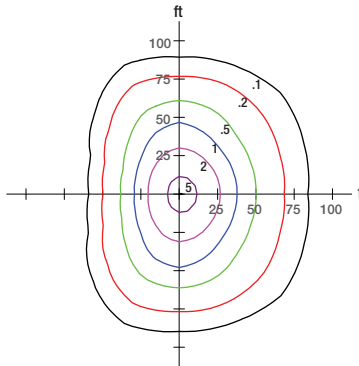


| MOUNTING HEIGHT (FT) | 15   | 18   | 20 | 22   | 25   | 30   |
|----------------------|------|------|----|------|------|------|
| MULTIPLIER           | 1.78 | 1.23 | 1  | 0.83 | 0.64 | 0.44 |

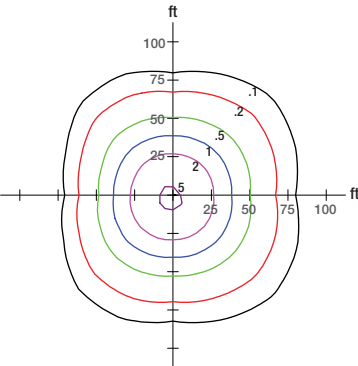
**150W Fixture, Type III Distribution, Mounted at 25' mounting height**



**150W Fixture, Type IV Distribution, Mounted at 25' mounting height**

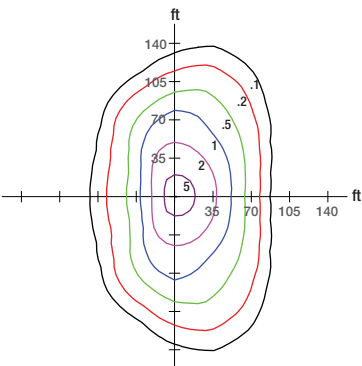


**150W Fixture, Type V Distribution, Mounted at 25' mounting height**

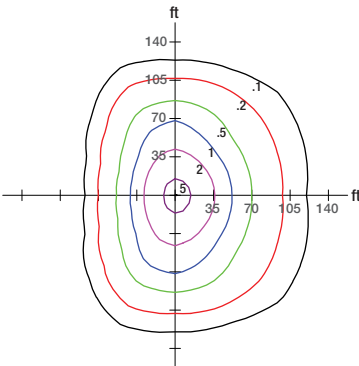


| MOUNTING HEIGHT (FT) | 15   | 20   | 22   | 25 | 30   | 35   |
|----------------------|------|------|------|----|------|------|
| MULTIPLIER           | 2.78 | 1.56 | 1.29 | 1  | 0.69 | 0.51 |

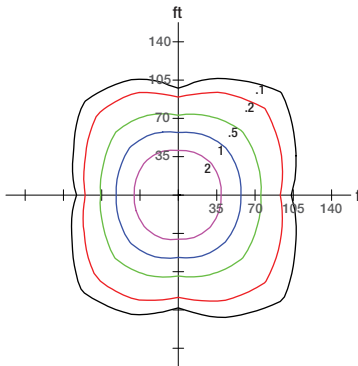
**300W Fixture, Type III Distribution, Mounted at 35' mounting height**



**300W Fixture, Type IV Distribution, Mounted at 35' mounting height**



**300W Fixture, Type V Distribution, Mounted at 35' mounting height**



| MOUNTING HEIGHT (FT) | 20   | 25   | 30   | 35 | 40   | 45  |
|----------------------|------|------|------|----|------|-----|
| MULTIPLIER           | 3.06 | 1.96 | 1.36 | 1  | 0.77 | 0.6 |

- Multiply the footcandle levels in the diagram according to the desired installation height
- Each tick on the diagram represents a multiple of the mounting height from the fixture



LEDVANCE LLC  
181 Ballardvale Street, Suite 203  
Wilmington, MA 01887 USA  
Phone: 1-800-LIGHTBULB (1-800-544-4828)  
www.ledvanceUS.com

LEDVANCE is a registered trademark.  
The Bluetooth® word mark and logos are registered trademarks owned by the Bluetooth SIG, Inc. and any use of such marks by LEDVANCE LLC is under license. All other trademarks are those of their respective owners. Specifications subject to change without notice.



SCAN TO FOLLOW US  
ON SOCIAL MEDIA