

# LEDVANCE LUMINAIRES

## AREA FLOOD

## WATTAGE SELECTABLE

### LEDVANCE LUMINAIRE SPECIFICATION DATA

Catalog #	Comments
Project	
Type	
Prepared by	

### VALUE CLASS™



### APPLICATION

The LEDVANCE Value Class Area Flood luminaires boast wattage selectable capabilities. Optional field-installable sensors allow for motion and control capabilities. Each luminaire ships with a universal mounting bracket allowing easy installation to round and square poles or slip fitters.

### BENEFITS & FEATURES

- 3000K, 4000K, or 5000K color temperature
- CRI >80
- Selectable wattage and lumens:
  - 40/60/80W | 5,600/8,400/11,200 lm
  - 90/120/150W | 14,000/17,500/21,000 lm
  - 180/240/300W | 28,000/35,000/40,500 lm
- FLEXMOUNT: Universal bracket for slip fitter, wall, round and square pole mounting
- DLC 5.1 Premium Listing assures high energy efficiency and qualifies this product for utility rebates
- DLC LUNA and Dark Sky compliant in the 3000K version
- Type III, IV, V distribution options
- Ready for field installable standalone sensors and LEDVANCE LINK™ Bluetooth® Controllers and Sensors, no wiring required
- 3-pin NEMA receptacle + shorting cap (optional photocell available as an accessory)



## ELECTRICAL

- 120-347V<sub>AC</sub> (277-480V<sub>AC</sub> optional)
- Power Factor >0.9
- THD <20%
- 0-10V Dimmable
- 6kV surge protection

## OPERATING TEMPERATURE

- -40°F to +122°F (-40°C to +50°C)

## RATED LIFE

- 100,000 hours (L<sub>70</sub>)

## CERTIFICATIONS & LISTINGS

- cULus listed to UL1598 and CSA 22.2 No. 250 standards
- RoHs
- FCC
- IP65, wet location
- 3G vibration rated, ANSI C136.31
- DLC 5.1 Premium
- Dark Sky compliant\*
- DLC LUNA\*

## WARRANTY

- 5 year
- NLB Trusted Warranty Program

## INSTALLATION

- Universal mounting bracket included for square and round pole mounting as well as slip fitter mount.



INSTALLATION GUIDE

\*DLC LUNA and Dark Sky Compliant for 3000K products with fixed mounting bracket only

## WATTAGE COMPARISON

LED SOURCE WATTAGE/LUMENS	REPLACES TRADITIONAL SOURCE		ENERGY SAVINGS
80W/11,200lm	HPS/MH	up to 250W	68%
150W/21,000lm		up to 400W	63%
300W/40,500lm		up to 1000W	70%

## ORDERING GUIDE

AREAFLD	5A	SXXX	XXX	D	8	X0	TX	BZ
PRODUCT NAME	GENERATION	WATTAGE	VOLTAGE	DIMMING	CRI	COLOR TEMPERATURE	DISTRIBUTION	COLOR/ FINISH
AREAFLD = Area Flood	5A = Generation 5A	S080 = 40/60/80W S150 = 90/120/150W S300 = 180/240/300W	UNH = 120-347V HUV = 277-480V	D = 0-10V Dimming	8 = >80	30 = 3000K 40 = 4000K 50 = 5000K	T3 = Type III T4 = Type IV T5 = Type V	BZ = Bronze

## ORDERING INFORMATION

ITEM #	ORDERING ABBREVIATION	WATTAGE (W)	INPUT VOLTAGE (V)	DIM. (V)	CRI	COLOR TEMP (CCT)	DISTRI-BUTION	TOTAL LUMENS (LM)	LPW (@ 4000K)	BUG RATING	MTO*
63286	AREAFLD5AS080UNHD840T3BZ	40/60/80	120-347V	0-10V	>80	4000K	TYPE III	5,600/8,400/11,200	140	B3U0G3	-
63287	AREAFLD5AS080UNHD840T4BZ	40/60/80	120-347V	0-10V	>80	4000K	TYPE IV	5,600/8,400/11,200	140	B3U0G3	✓
63288	AREAFLD5AS080UNHD840T5BZ	40/60/80	120-347V	0-10V	>80	4000K	TYPE V	5,600/8,400/11,200	140	B3U0G2	✓
63289	AREAFLD5AS150UNHD840T3BZ	90/120/150	120-347V	0-10V	>80	4000K	TYPE III	14,000/17,500/21,000	140	B3U0G3	-
63290	AREAFLD5AS150UNHD840T4BZ	90/120/150	120-347V	0-10V	>80	4000K	TYPE IV	14,000/17,500/21,000	140	B4U0G4	✓
63291	AREAFLD5AS150UNHD840T5BZ	90/120/150	120-347V	0-10V	>80	4000K	TYPE V	14,000/17,500/21,000	140	B4U0G2	✓
63292	AREAFLD5AS300UNHD840T3BZ	180/240/300	120-347V	0-10V	>80	4000K	TYPE III	28,000/35,000/40,500	140	B4U0G4	-
63293	AREAFLD5AS300UNHD840T4BZ	180/240/300	120-347V	0-10V	>80	4000K	TYPE IV	28,000/35,000/40,500	140	B5U0G5	✓
63294	AREAFLD5AS300UNHD840T5BZ	180/240/300	120-347V	0-10V	>80	4000K	TYPE V	28,000/35,000/40,500	140	B5U0G3	-

\*MTO = Made to Order

ITEM #	ORDERING ABBREVIATION	WATTAGE (W)	INPUT VOLTAGE (V)	DIM. (V)	CRI	COLOR TEMP (CCT)	DISTRI-BUTION	TOTAL LUMENS (LM)	LPW (@ 4000K)	BUG RATING	MTO*
63297	AREAFLD5AS080UNHD830T3BZ	40/60/80	120-347V	0-10V	>80	3000K	TYPE III	5,600/8,400/11,200	140	B3U0G3	✓
63298	AREAFLD5AS080UNHD830T4BZ	40/60/80	120-347V	0-10V	>80	3000K	TYPE IV	5,600/8,400/11,200	140	B3U0G3	✓
63299	AREAFLD5AS080UNHD830T5BZ	40/60/80	120-347V	0-10V	>80	3000K	TYPE V	5,600/8,400/11,200	140	B3U0G2	✓
63300	AREAFLD5AS150UNHD830T3BZ	90/120/150	120-347V	0-10V	>80	3000K	TYPE III	14,000/17,500/21,000	140	B3U0G3	-
63301	AREAFLD5AS150UNHD830T4BZ	90/120/150	120-347V	0-10V	>80	3000K	TYPE IV	14,000/17,500/21,000	140	B4U0G4	✓
63302	AREAFLD5AS150UNHD830T5BZ	90/120/150	120-347V	0-10V	>80	3000K	TYPE V	14,000/17,500/21,000	140	B4U0G2	✓
63303	AREAFLD5AS300UNHD830T3BZ	180/240/300	120-347V	0-10V	>80	3000K	TYPE III	28,000/35,000/40,500	140	B4U0G4	✓
63304	AREAFLD5AS300UNHD830T4BZ	180/240/300	120-347V	0-10V	>80	3000K	TYPE IV	28,000/35,000/40,500	140	B5U0G5	✓
63305	AREAFLD5AS300UNHD830T5BZ	180/240/300	120-347V	0-10V	>80	3000K	TYPE V	28,000/35,000/40,500	140	B5U0G3	✓
63306	AREAFLD5AS080UNHD850T3BZ	40/60/80	120-347V	0-10V	>80	5000K	TYPE III	5,600/8,400/11,200	140	B3U0G3	-
63307	AREAFLD5AS080UNHD850T4BZ	40/60/80	120-347V	0-10V	>80	5000K	TYPE IV	5,600/8,400/11,200	140	B3U0G3	✓
63308	AREAFLD5AS080UNHD850T5BZ	40/60/80	120-347V	0-10V	>80	5000K	TYPE V	5,600/8,400/11,200	140	B3U0G2	✓
63309	AREAFLD5AS150UNHD850T3BZ	90/120/150	120-347V	0-10V	>80	5000K	TYPE III	14,000/17,500/21,000	140	B3U0G3	-
63310	AREAFLD5AS150UNHD850T4BZ	90/120/150	120-347V	0-10V	>80	5000K	TYPE IV	14,000/17,500/21,000	140	B4U0G4	✓
63311	AREAFLD5AS150UNHD850T5BZ	90/120/150	120-347V	0-10V	>80	5000K	TYPE V	14,000/17,500/21,000	140	B4U0G2	-
63312	AREAFLD5AS300UNHD850T3BZ	180/240/300	120-347V	0-10V	>80	5000K	TYPE III	28,000/35,000/40,500	140	B4U0G4	-
63313	AREAFLD5AS300UNHD850T4BZ	180/240/300	120-347V	0-10V	>80	5000K	TYPE IV	28,000/35,000/40,500	140	B5U0G5	-
63314	AREAFLD5AS300UNHD850T5BZ	180/240/300	120-347V	0-10V	>80	5000K	TYPE V	28,000/35,000/40,500	140	B5U0G3	-
63687	AREAFLD5AS080HUV830T3BZ	40/60/80	277-480V	0-10V	>80	3000K	TYPE III	5,600/8,400/11,200	140	B3U0G3	✓
63688	AREAFLD5AS080HUV830T4BZ	40/60/80	277-480V	0-10V	>80	3000K	TYPE IV	5,600/8,400/11,200	140	B3U0G3	✓
63689	AREAFLD5AS080HUV830T5BZ	40/60/80	277-480V	0-10V	>80	3000K	TYPE V	5,600/8,400/11,200	140	B3U0G2	✓
63690	AREAFLD5AS080HUV840T3BZ	40/60/80	277-480V	0-10V	>80	4000K	TYPE III	5,600/8,400/11,200	140	B3U0G3	✓
63691	AREAFLD5AS080HUV840T4BZ	40/60/80	277-480V	0-10V	>80	4000K	TYPE IV	5,600/8,400/11,200	140	B3U0G3	✓
63692	AREAFLD5AS080HUV840T5BZ	40/60/80	277-480V	0-10V	>80	4000K	TYPE V	5,600/8,400/11,200	140	B3U0G2	✓
63693	AREAFLD5AS080HUV850T3BZ	40/60/80	277-480V	0-10V	>80	5000K	TYPE III	5,600/8,400/11,200	140	B3U0G3	✓
63694	AREAFLD5AS080HUV850T4BZ	40/60/80	277-480V	0-10V	>80	5000K	TYPE IV	5,600/8,400/11,200	140	B3U0G3	✓
63695	AREAFLD5AS080HUV850T5BZ	40/60/80	277-480V	0-10V	>80	5000K	TYPE V	5,600/8,400/11,200	140	B3U0G2	✓
63696	AREAFLD5AS150HUV830T3BZ	90/120/150	277-480V	0-10V	>80	3000K	TYPE III	14,000/17,500/21,000	140	B3U0G3	✓
63697	AREAFLD5AS150HUV830T4BZ	90/120/150	277-480V	0-10V	>80	3000K	TYPE IV	14,000/17,500/21,000	140	B4U0G4	✓
63698	AREAFLD5AS150HUV830T5BZ	90/120/150	277-480V	0-10V	>80	3000K	TYPE V	14,000/17,500/21,000	140	B4U0G2	✓
63699	AREAFLD5AS150HUV840T3BZ	90/120/150	277-480V	0-10V	>80	4000K	TYPE III	14,000/17,500/21,000	140	B3U0G3	✓
63700	AREAFLD5AS150HUV840T4BZ	90/120/150	277-480V	0-10V	>80	4000K	TYPE IV	14,000/17,500/21,000	140	B4U0G4	✓
63701	AREAFLD5AS150HUV840T5BZ	90/120/150	277-480V	0-10V	>80	4000K	TYPE V	14,000/17,500/21,000	140	B4U0G2	✓
63702	AREAFLD5AS150HUV850T3BZ	90/120/150	277-480V	0-10V	>80	5000K	TYPE III	14,000/17,500/21,000	140	B3U0G3	✓

\*MTO = Made to Order

ITEM #	ORDERING ABBREVIATION	WATTAGE (W)	INPUT VOLTAGE (V)	DIM. (V)	CRI	COLOR TEMP (CCT)	DISTRIBUTION	TOTAL LUMENS (LM)	LPW (@ 4000K)	BUG RATING	MTO*
63703	AREAFLD5AS150HUV850T4BZ	90/120/150	277-480V	0-10V	>80	5000K	TYPE IV	14,000/17,500/21,000	140	B4U0G4	✓
63704	AREAFLD5AS150HUV850T5BZ	90/120/150	277-480V	0-10V	>80	5000K	TYPE V	14,000/17,500/21,000	140	B4U0G2	✓
63705	AREAFLD5AS300HUV830T3BZ	180/240/300	277-480V	0-10V	>80	3000K	TYPE III	28,000/35,000/40,500	140	B4U0G4	✓
63706	AREAFLD5AS300HUV830T4BZ	180/240/300	277-480V	0-10V	>80	3000K	TYPE IV	28,000/35,000/40,500	140	B5U0G5	✓
63707	AREAFLD5AS300HUV830T5BZ	180/240/300	277-480V	0-10V	>80	3000K	TYPE V	28,000/35,000/40,500	140	B5U0G3	✓
63708	AREAFLD5AS300HUV840T3BZ	180/240/300	277-480V	0-10V	>80	4000K	TYPE III	28,000/35,000/40,500	140	B4U0G4	✓
63709	AREAFLD5AS300HUV840T4BZ	180/240/300	277-480V	0-10V	>80	4000K	TYPE IV	28,000/35,000/40,500	140	B5U0G5	✓
63710	AREAFLD5AS300HUV840T5BZ	180/240/300	277-480V	0-10V	>80	4000K	TYPE V	28,000/35,000/40,500	140	B5U0G3	✓
63711	AREAFLD5AS300HUV850T3BZ	180/240/300	277-480V	0-10V	>80	5000K	TYPE III	28,000/35,000/40,500	140	B4U0G4	✓
63712	AREAFLD5AS300HUV850T4BZ	180/240/300	277-480V	0-10V	>80	5000K	TYPE IV	28,000/35,000/40,500	140	B5U0G5	✓
63713	AREAFLD5AS300HUV850T5BZ	180/240/300	277-480V	0-10V	>80	5000K	TYPE V	28,000/35,000/40,500	140	B5U0G3	✓

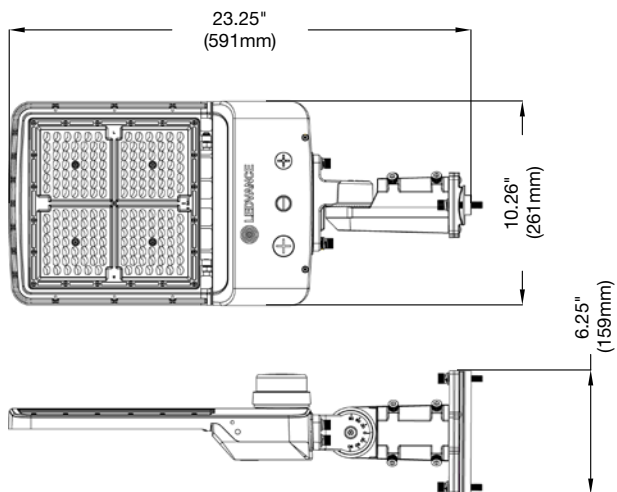
\*MTO = Made to Order

## PHYSICAL INFORMATION

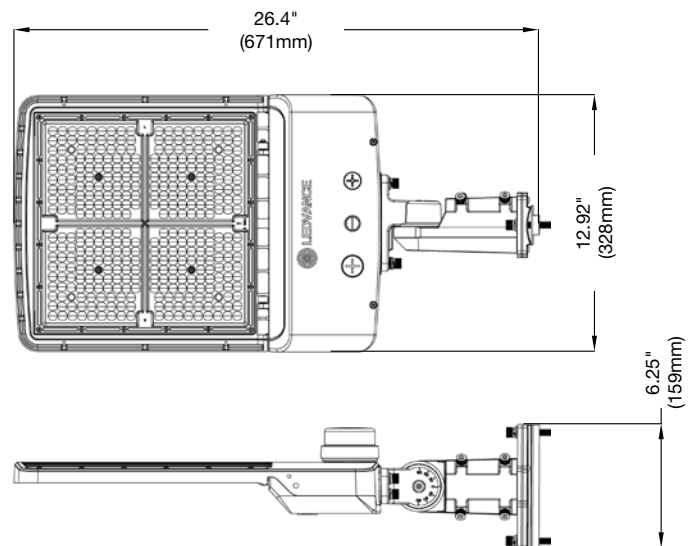
LUMINAIRE DESCRIPTION	LENGTH IN (MM)	WIDTH IN (MM)	HEIGHT IN (MM)	WEIGHT LB (KG)	EPA* (FT²)   TILT ANGLE		
					0° (HORIZONTAL)	≤45°	≤90° (VERTICAL)
40/60/80W, 90/120/150W	23.25 (591)	10.26 (261)	6.25 (159)	7.9 (3.6)	0.42	1.07	1.32
180/240/300W	26.4 (671)	12.92 (328)	6.25 (159)	10.1 (4.6)	0.51	1.73	2.03

\*Considering horizontal wind

### 80W-150W

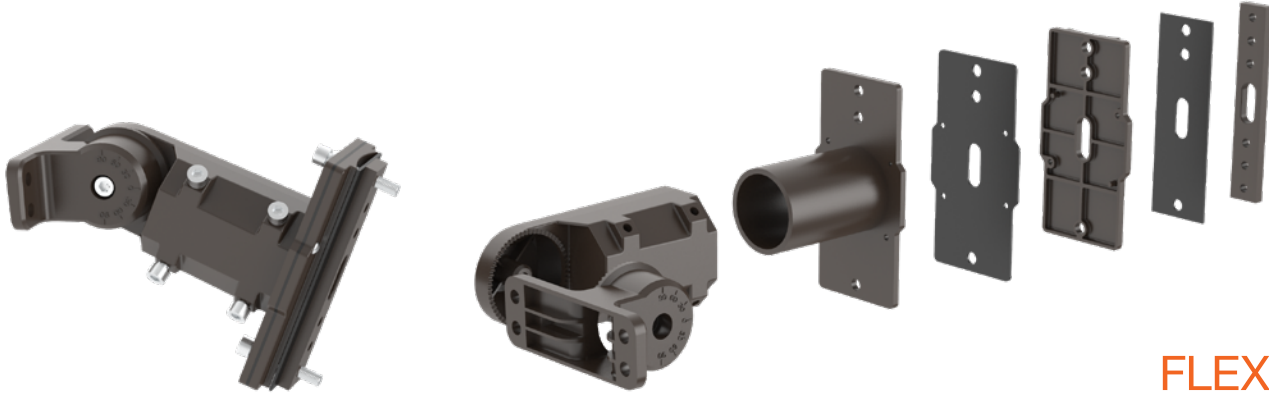


### 300W



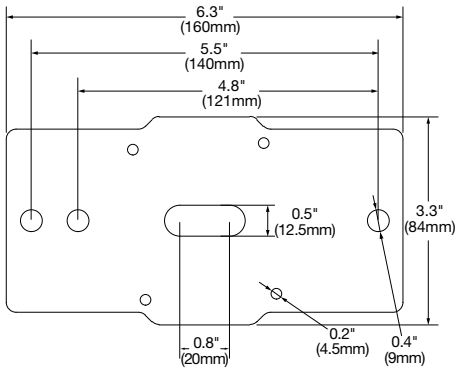
## UNIVERSAL MOUNTING BRACKET

- Included with each luminaire
- 3000K versions include a slip fitter with limited adjustability for Dark Sky and DLC LUNA compliance.



**FLEXMOUNT**

### POLE DRILL PATTERN

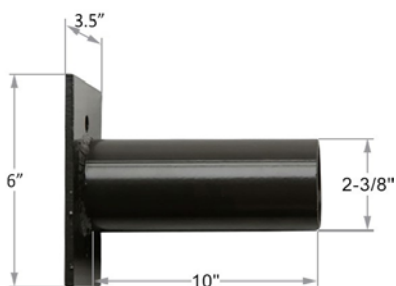


## ACCESSORIES (SOLD SEPARATELY)

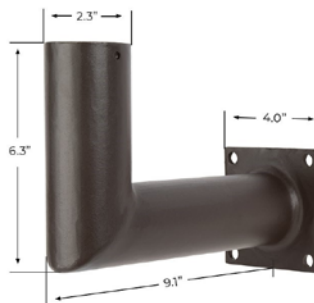
ITEM #	ORDERING ABBREVIATION	ITEM DESCRIPTION
<b>Visors</b>		
63679	AREAFLD5A/SMVISORFB/BZ	Small Visor, Front and Back, Bronze (for 80 and 150W)
63680	AREAFLD5A/SMVISORLR/BZ	Small Visor, Left and Right, Bronze (for 80 and 150W)
63681	AREAFLD5A/LRGVISORFB/BZ	Large Visor, Front and Back, Bronze (for 300W)
63682	AREAFLD5A/LRGVISORLR/BZ	Large Visor, Left and Right, Bronze (for 300W)
<b>Yoke Mounts</b>		
65436	AREAFLD5ASMYOKEMTBZ	Small Yoke Mount, Bronze (for 80W and 150W)
65437	AREAFLD5ALRGYOKEMTBZ	Large Yoke Mount, Bronze (for 300W)
<b>Wall Mounting Brackets</b>		
61174	BRACKET1AWALLHORIZTENONBZ	Horizontal Wall Mounting Bracket, Bronze
61175	BRACKET1AWALL90DEGTENONBZ	90° Wall Mounting Bracket, Bronze
<b>Pole Mounts</b>		
67152	AREAFLDOSPOLEMOUNTBZ	Area Flood Round/Square Pole Mount, Bronze
67153	AREAFLDOSPOLEMOUNTBL	Area Flood Round/Square Pole Mount, Black
67154	AREAFLDOSPOLEMOUNTWH	Area Flood Round/Square Pole Mount, White
67155	AREAFLDOSPOLEMOUNTGR	Area Flood Round/Square Pole Mount, Gray
<b>Standalone Sensors</b>		
62664	HIGHBAYPIRMOTIONDAYSENSOR2	Field installable PIR DC Motion/Daylight Sensor, White, IP65, Max. mounting height 39ft
65622*	HIGHBAYMOTIONDAYSENSOR	Field installable Microwave DC Motion/Daylight Sensor, IP65, White, Max. mounting height 49ft
65623	REMOTE/MOTIONDAY/001	Remote control for Motion/Daylight Sensors – Remote is required to change default settings
<b>Photocells</b>		
61393	AREAFLDXANEMAPHOTOCELLUNV	Area/Flood NEMA Photocell 120-277V
64258	AREAFLDXANEMAPHOTOCELLHUV	Area/Flood NEMA Photocell 347-480V
61397	NEMASHORTINGCAP	NEMA Shorting Cap (base unit already ships with shorting cap)
<b>LEDVANCE LINK™ accessories</b>		
75913	SENSOR2ODPIR3.5BLEBLK	Outdoor Bluetooth® Low Energy Mesh PIR sensor with controller, Screw-in Plug & Play, 3.5mm AUX, Black
75944	ADAPTER3P3.5SCBK	LINK™ 3-PIN to 3.5mm Adapter, Black

\*Microwave sensors are not recommended for outdoor use. Microwave sensors are highly sensitive. Metal, glass, windows, industrial fans, and large obstructions can all generate false triggering. Based on installation, PIR sensor may be a better option, although extreme heat or cold can reduce sensitivity or cause false triggers. For additional application notes, please go to: <https://assets3.ledvanceus.com/media/resource/original/asset-13239171>

**WALL BRACKET 61174**



**WALL BRACKET 61175**



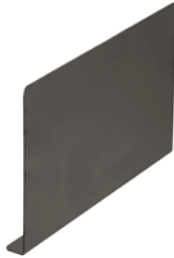
Brackets  
Spec Sheet



FRONT OR BACK VISOR



LEFT OR RIGHT SIDE VISOR



YOKE MOUNT



POLE MOUNT



FRONT OR BACK VISOR ATTACHED



SIDE VISOR ATTACHED



YOKE MOUNT ATTACHED

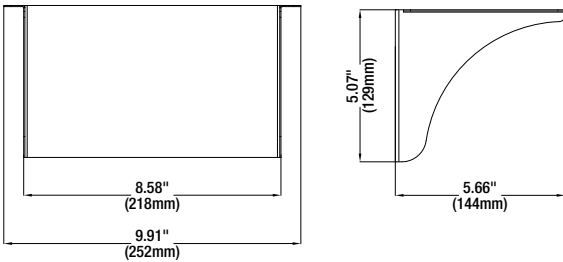


POLE MOUNT ATTACHED

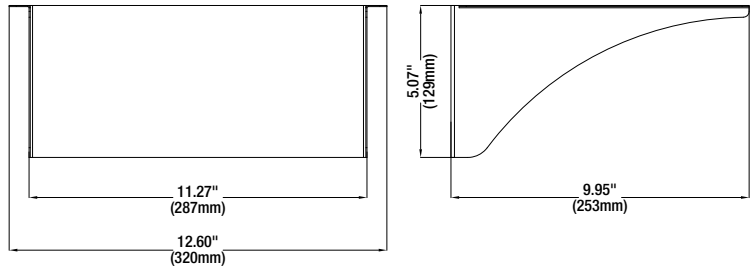


## ACCESSORIES: PHYSICAL INFORMATION

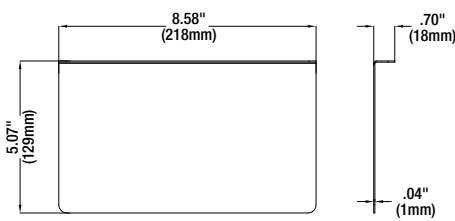
80W-150W FRONT AND BACK VISOR



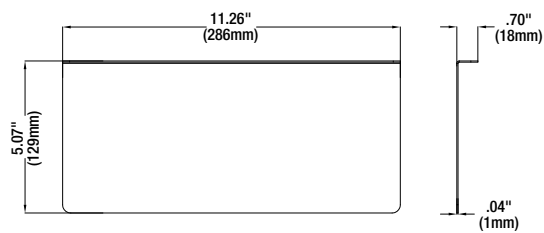
300W FRONT AND BACK VISOR



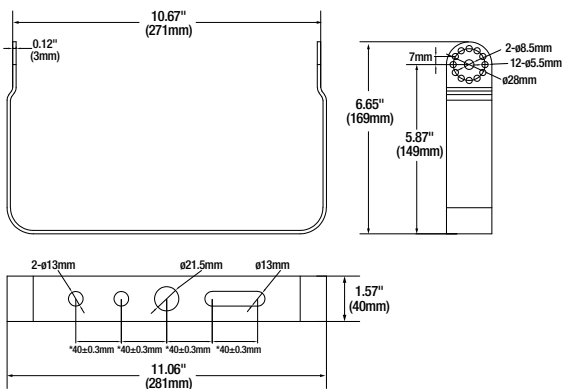
80W-150W LEFT AND RIGHT VISOR



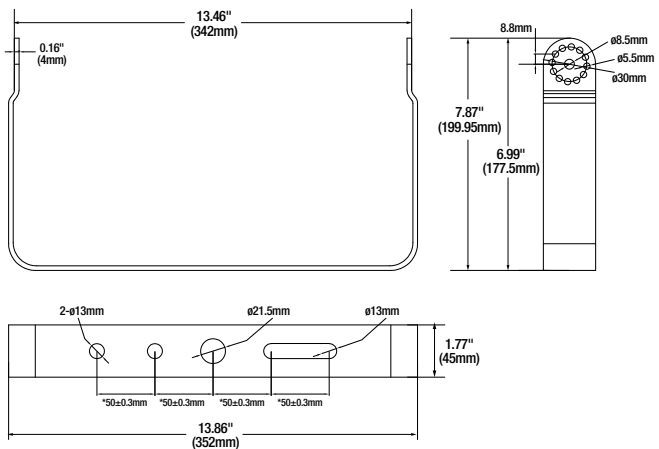
300W LEFT AND RIGHT VISOR



80W-150W YOKE



300W YOKE



## OPTIONAL MOTION/DAYLIGHT SENSOR DEFAULT SETTINGS

Detection Area	100%
Hold time – Time fixtures stays at 100% after last motion before dimming	10 minutes
Daylight threshold – Light level above which lights will remain off	50 Lux
Stand-by period – Time light remains dimmed before shutting off	60 minutes
Stand-by Dimming – dimming level of light during the stand-by period	30%



**MOTION SENSOR  
(62664)**



**REMOTE  
(65623)**

## OPTIONAL LEDVANCE LINK™ ACCESSORIES



**BLUETOOTH® MESH  
WIRELESS CONTROLLER  
& SENSOR, LEDVANCE  
LINK™ (75913)**



**SENSOR  
ADAPTER FOR  
LEDVANCE LINK™  
SENSORS  
(75944)**

## BENEFITS & FEATURES

- The LEDVANCE LINK™ Bluetooth® Mesh Low Voltage components use Bluetooth® technology for easy and secure wireless communication
- Enables regular LEDVANCE luminaires to become Bluetooth® enabled and allows for luminaires to be turned on/off and dimmed (manual or auto)
- Components can be used up to 40ft fixture mounting height
- Control using either the LEDVANCE LINK™ app or the wireless/wired wall controller

## SENSOR INFORMATION

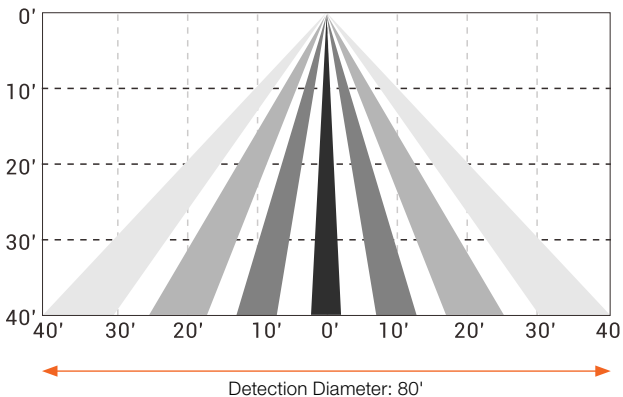
- Photocell Threshold On/Off + PIR sensing technology
- Input voltage: 12Vdc
- Bluetooth® transmission range: 200ft (60m) max. (clear line of sight)
- Detection range: 48-80ft Diameter
- Input current: 50mA
- Dimming: 0-10V
- Mounting height: 20-40ft
- Operating temperature: -22°F~131°F (-30°C~55°C)
- IP rating: IP66, wet rated
- Protocol: Bluetooth® Mesh BLE Proprietary



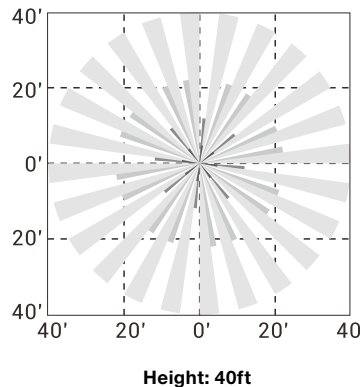
COMMISSIONING  
GUIDE

### MOUNTING HEIGHT: UP TO 40'

Detection Coverage Side View



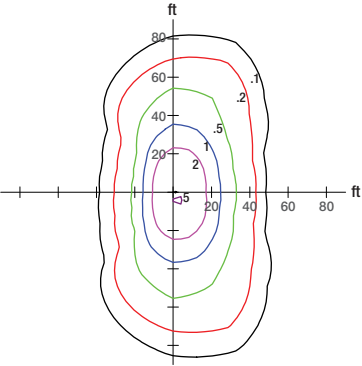
Detection Coverage Top View



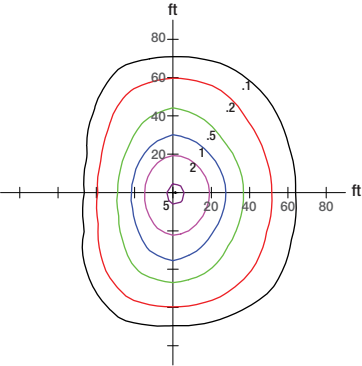
# PHOTOMETRIC INFORMATION

## HORIZONTAL ISO FOOT-CANDLE PLOT

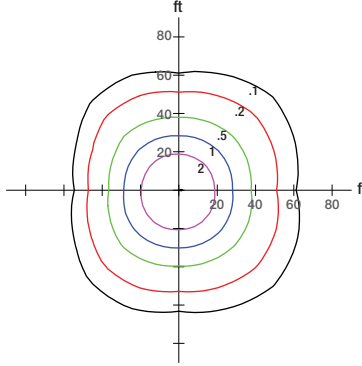
**80W Fixture, Type III Distribution, Mounted at 20' mounting height**



**80W Fixture, Type IV Distribution, Mounted at 20' mounting height**

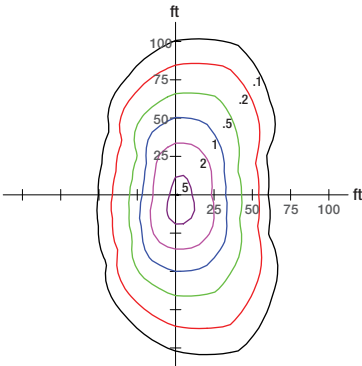


**80W Fixture, Type V Distribution, Mounted at 20' mounting height**

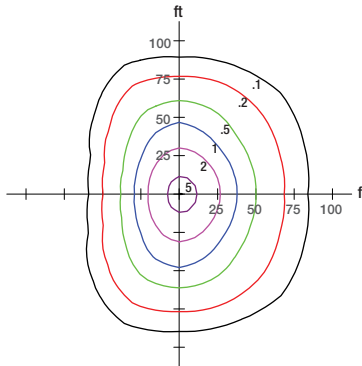


<b>MOUNTING HEIGHT (FT)</b>	15	18	20	22	25	30
<b>MULTIPLIER</b>	1.78	1.23	1	0.83	0.64	0.44

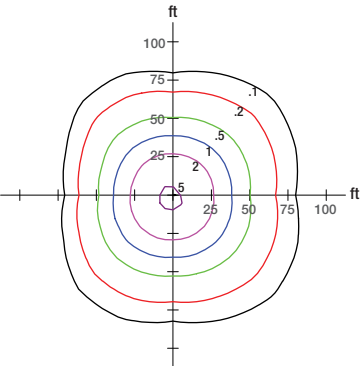
**150W Fixture, Type III Distribution, Mounted at 25' mounting height**



**150W Fixture, Type IV Distribution, Mounted at 25' mounting height**

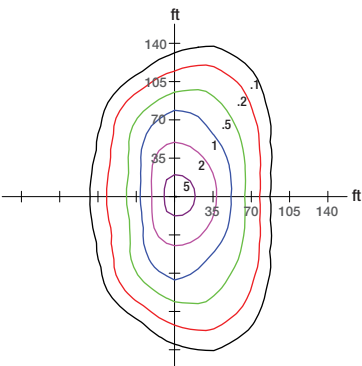


**150W Fixture, Type V Distribution, Mounted at 25' mounting height**

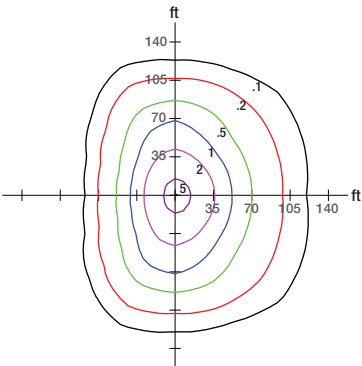


<b>MOUNTING HEIGHT (FT)</b>	15	20	22	25	30	35
<b>MULTIPLIER</b>	2.78	1.56	1.29	1	0.69	0.51

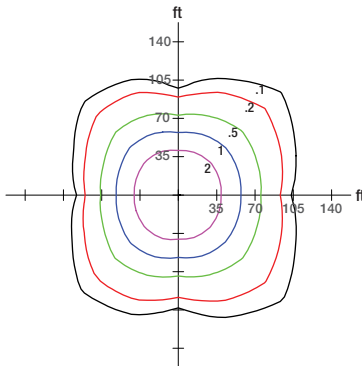
**300W Fixture, Type III Distribution, Mounted at 35' mounting height**



**300W Fixture, Type IV Distribution, Mounted at 35' mounting height**



**300W Fixture, Type V Distribution, Mounted at 35' mounting height**



<b>MOUNTING HEIGHT (FT)</b>	20	25	30	35	40	45
<b>MULTIPLIER</b>	3.06	1.96	1.36	1	0.77	0.6

- Multiply the footcandle levels in the diagram according to the desired installation height
- Each tick on the diagram represents a multiple of the mounting height from the fixture



LEDVANCE LLC  
181 Ballardvale Street, Suite 203  
Wilmington, MA 01887 USA  
Phone 1-800-544-4828  
LEDVANCE.COM/EN-US

LEDVANCE is a registered trademark.  
The Bluetooth® word mark and logos are registered trademarks owned by the Bluetooth SIG, Inc. and any use of such marks by LEDVANCE LLC is under license. All other trademarks are those of their respective owners. Specifications subject to change without notice.

© 2026 LEDVANCE LLC