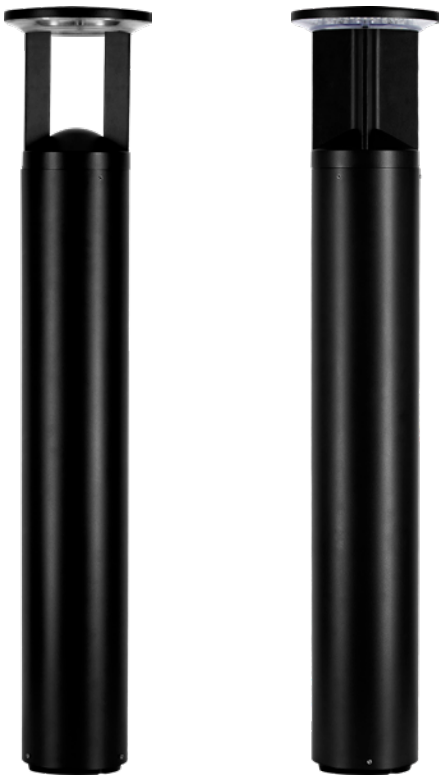


LEDVANCE LUMINAIRES

DUAL SELECTABLE

BOLLARD 2A

PERFORMANCE CLASS™



APPLICATION

The LEDVANCE BOLLARD luminaires are ideal for walkways, parking lots, gardens and outdoor areas. Offered in two versions: full 360° illumination pattern and, as a first of its kind, with field selectable illumination zones. Not only does the BOLLARD 2A offer wattage and CCT selectability, it also features zone selectability. Use this bollard along any pathway and choose between 90, 180, 270 and 360 illumination patterns right in the field! True application flexibility!

BENEFITS & FEATURES

- Full Zone or Selectable Zone (90/180/270/360°) distribution patterns
- Selectable wattage and lumens: 16/20/24W | 1800/2200/2650
- Selectable color temperature: 3000K, 4000K, or 5000K
- CRI>80
- Up to 109 LPW
- Integrated Photocell
- DLC 5.1 Standard Listing assures high energy efficiency and qualifies this product for utility rebates



ELECTRICAL

- 120-347VAC
- Power Factor > 0.9
- THD < 20%
- 0-10V Dimmable
- 10kV surge protection

RATED LIFE

- 100,000 hours (L₇₀) @ 25C

OPERATING TEMPERATURE

- -40°F to +122°F (-40°C to +50°C)

CERTIFICATIONS & LISTINGS

- cULus listed to UL1598 standards
- RoHs
- FCC
- IP65, Wet locatrion rated
- DLC Standard (selected models)

WARRANTY

- 5 year
- NLB Trusted Warranty Program

INSTALLATION

- Ground mount

ORDERING GUIDE

BOLLARD	2A	SXXX	UNH	D	8	SCX	RX	X	X	X
PRODUCT NAME	GENERATION	WATTAGE	VOLTAGE	DIMMING	CRI	COLOR TEMPERATURE	SIZE	DISTRIBUTION	COLOR/FINISH	OPTIONS
BOLLARD= Bollard	2A= Generation 2A	S024= 16/20/24W	UNH= 120-347V	D= 0-10V Dimming	80= >80 CRI	SC2= 3000/4000/5000K	R6= Round 6"	FZ= Full Zone SZ= Selectable Zone	BZ= Bronze BL= Black WH= White	P= Photocell E= Emergency

ORDERING INFORMATION

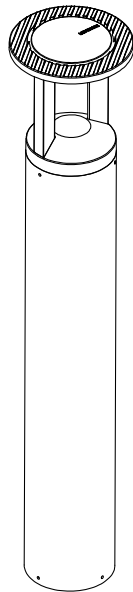
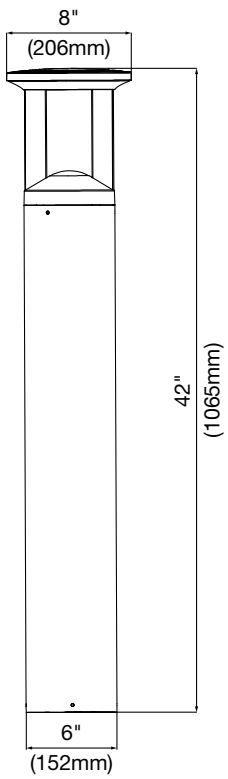
ITEM #	ORDERING ABBREVIATION	WATTAGE (W)	INPUT VOLTAGE (V)	DIM. (V)	CRI	COLOR TEMP (CCT)	SIZE	DISTR.	TOTAL FIXTURE (LM)	DLC	OPTIONS
63737	BOLLARD2AS024UNHD8SC2R6FZBZP	16/20/24	120-347	0-10	>80	3000/4000 /5000K	6" Round	Full Zone	1800/2200 /2650	5.1 STD*	Photocell
63738	BOLLARD2AS024UNHD8SC2R6FZBLP	16/20/24	120-347	0-10	>80	3000/4000 /5000K	6" Round	Full Zone	1800/2200 /2650	5.1 STD*	Photocell
63739	BOLLARD2AS024UNHD8SC2R6FZWHHP	16/20/24	120-347	0-10	>80	3000/4000 /5000K	6" Round	Full Zone	1800/2200 /2650	5.1 STD*	Photocell
63740	BOLLARD2AS024UNHD8SC2R6SZBZP	16/20/24	120-347	0-10	>80	3000/4000 /5000K	6" Round	Selectable Zone	81550/1900 /2250	-	Photocell
63741	BOLLARD2AS024UNHD8SC2R6SZBLP	16/20/24	120-347	0-10	>80	3000/4000 /5000K	6" Round	Selectable Zone	81550/1900 /2250	-	Photocell
63742	BOLLARD2AS024UNHD8SC2R6SZWHHP	16/20/24	120-347	0-10	>80	3000/4000 /5000K	6" Round	Selectable Zone	1800/2200 /2650	5.1 STD*	Photocell
63872	BOLLARD2AS024UNHD8SC2R6FZBZPE	16/20/24	120-347	0-10	>80	3000/4000 /5000K	6" Round	Full Zone	1800/2200 /2650	5.1 STD*	Photocell, Emergency
63873	BOLLARD2AS024UNHD8SC2R6FZBLPE	16/20/24	120-347	0-10	>80	3000/4000 /5000K	6" Round	Full Zone	1800/2200 /2650	5.1 STD*	Photocell, Emergency
63874	BOLLARD2AS024UNHD8SC2R6FZWHPE	16/20/24	120-347	0-10	>80	3000/4000 /5000K	6" Round	Full Zone	1800/2200 /2650	5.1 STD*	Photocell, Emergency
63875	BOLLARD2AS024UNHD8SC2R6SZBZPE	16/20/24	120-347	0-10	>80	3000/4000 /5000K	6" Round	Selectable Zone	81550/1900 /2250	-	Photocell, Emergency
63876	BOLLARD2AS024UNHD8SC2R6SZBLPE	16/20/24	120-347	0-10	>80	3000/4000 /5000K	6" Round	Selectable Zone	81550/1900 /2250	-	Photocell, Emergency
63877	BOLLARD2AS024UNHD8SC2R6SZWHPE	16/20/24	120-347	0-10	>80	3000/4000 /5000K	6" Round	Selectable Zone	1800/2200 /2650	5.1 STD*	Photocell, Emergency

*Coming Soon

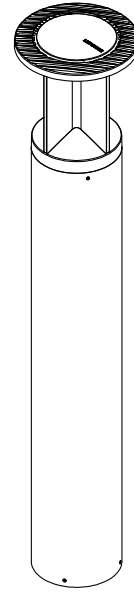
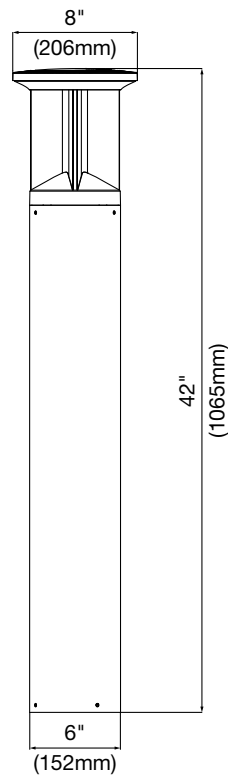
PHYSICAL INFORMATION

LUMINAIRE DESCRIPTION	DIAMETER IN (MM)	HEIGHT IN (MM)	WEIGHT LB (KG)
24W	top: 8 (206) base: 6 (152)	42 (1065)	12 (5.44)

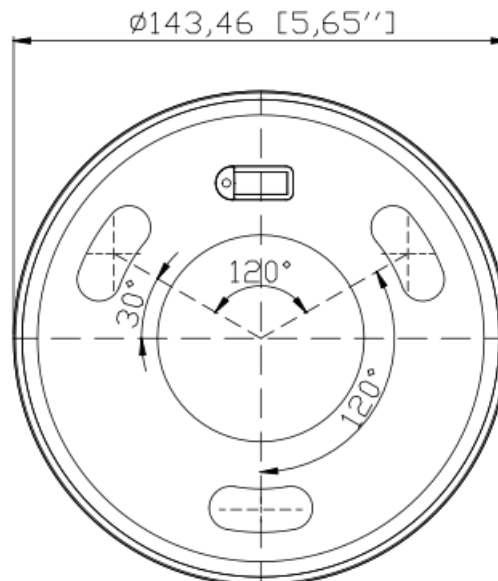
FULL ZONE



SELECTABLE ZONE



ANCHOR BOLT PATTERN



**FUNCTIONAL LIGHTING –
SELECTABLE ZONE LIGHTING**



SPECIFICATION DATA

Catalog #	Type
Project	
Comments	
Prepared by	

LEDVANCE LLC
181 Ballardvale Street, Suite 203
Wilmington, MA 01887 USA
Phone: 1-800-LIGHTBULB (1-800-544-4828)
www.ledvanceUS.com

LEDVANCE is a registered trademark. All other trademarks are those of their respective owners. Specifications subject to change without notice.



SCAN TO FOLLOW US
ON SOCIAL MEDIA