

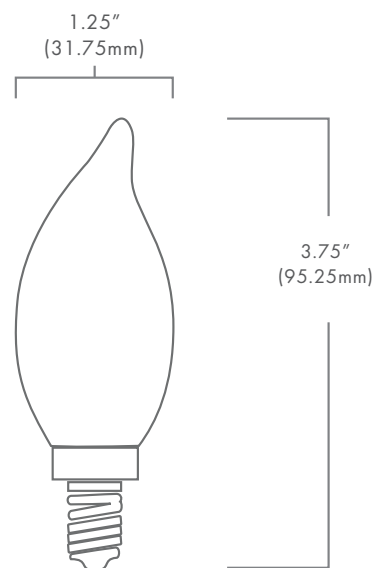
CANDELABRA EDGE FILAMENT

DESCRIPTION

The Brilliance Candelabra Edge Filament lamp is a decorative light source and gives the effect of an original Edison lamp, making it great for indoor chandeliers and anywhere a warm light is desired.

FEATURES

- Flame tip styles
- Clear, omni-directional light source
- Elegant, exposed filament design
- Dimmable
- UL & FCC compliant
- UL Listed in USA and Canada



Part Number: **CAN-FIL-EDGE-F-XX-XXXX-C-12**

Wattage Kelvin

Wattage	2, 3.5
Lumens	130, 280
Kelvin Temperature	2200, 2700, 3000
Operating Range	12 VAC/DC
Replaces	40W Incandescent
CRI	90
IP	64
Lamp Life (hours)	30,000
Warranty (years)	3

