



MasterColor CDM-TC T4 Elite

MasterColor CDM-TC T4 Elite 35W/930 CL

Philips MasterColor CDM Evolution 3000K Tubular Single-Ended T4 Lamp is the next evolution of MasterColor.

Product data

• General Characteristics

Base	G8.5
Bulb	T4 [T 14 mm]
Bulb Finish	Clear
Operating Position	Universal [Any or Universal (U)]
Life to 5% failures EL	9000 hr
Life to 10% failures EL	10000 hr
Life to 20% failures EL	12000 hr
Avg. Hrs. Life	15000 hr

• Light Technical Characteristics

Color Code	930 [CCT of 3000K]
Color Rendering Index	87 (min), 90 (nom) Ra8
Color Designation	Warm White
Color Temperature	3000 K
Color Temperature technical	2970 K
Initial Lumens	4000 Lm
Luminous Efficacy Lamp EL	102 Lm/W
Lumen Maintenance EL 2000h	93 %
Lumen Maintenance EL 5000h	88 %
Lumen Maintenance EL 10000h	80 %
Lumen Maintenance EL 12000h	78 %
Design Mean Lumens EL	3300 Lm
Chromaticity Coordinate X	0.435 -

Chromaticity Coordinate Y 0.396 -

• Electrical Characteristics

System Power EL	43 W
Watts	35 W
Lamp Wattage EL 25°C, Rated	39.0 W
Lamp Wattage EL 25°C, Nominal	35.0 W
Lamp Voltage	85 V
Lamp Current EL	0.460 A
Ignition Time	30 (max) s
Run-up time 90%	3 (max) min
Re-ignition Time [min]	15 (max) min
Dimmable	No

• Environmental Characteristics

Energy Efficiency Label (EEL)	A+
Mercury (Hg) Content	4.7 mg
Energy consumption kWh/1000h	42 kWh

• UV-related Characteristics

Damage Factor D/fc PET (NIOSH)	0.3 (max) - 8 (min) h500lx
--------------------------------	----------------------------

• Luminaire Design Requirements

Pinch Temperature	300 (max) C
Bulb Temperature	500 (max) C

PHILIPS

MasterColor CDM-TC T4 Elite

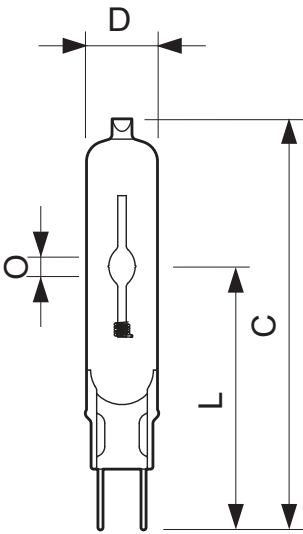
• Product Dimensions

Overall Length C	85 (max) mm
Diameter D	15 (max) mm
Light Center Length L	51 (min), 52 (nom), 53 (max) mm
Arc Length O	4.8 mm
Light Center Length L	2 (min), 2.45 (nom), 2.9 (max) in
Max Overall Length (MOL) - C	3.3 (max) in
Diameter D	0.6 (max) in

• Product Data

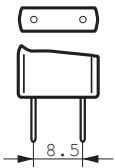
Product number	409169
Full product name	MasterColor CDM-TC T4 Elite 35W/930 CL
Short product name	MASTERColor CDM-TC Elite 35W/930 G8.5
Pieces per Sku	1
eop_pck_cfg	12
Skus/Case	12
Bar code on pack	46677409166
Bar code on case	50046677409161
Logistics code(s)	928189105115
tpd_ilcos_cd	MT/UB-35/930-H-G8.5-17/85
eop_net_weight_pp	0.009 kg

Dimensional drawing



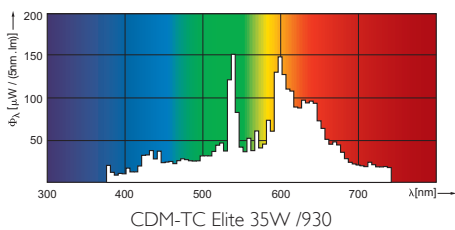
MasterColor CDM-TC T4 Elite 35W/930 CL

Product	C (Max)	D (Max)	L (Min)	L (Norm)	L (Max)	O (Norm)
CDM-TC ACCENT 35W/930 G8.5	85	15	51	52	53	4.8



G8.5

Photometric data





© 2015 Koninklijke Philips N.V. (Royal Philips)
All rights reserved.

Specifications are subject to change without notice. Trademarks are the property of Koninklijke Philips N.V. (Royal Philips) or their respective owners.

www.philips.com/lighting

2015, January 10
data subject to change