



# MASTERColor CDM-Rm Elite Mini

MASTERColor CDM-Rm Elite Mini 35W/930 GX10 MR16 10D

The Elite family is at the very top of the MasterColor CDM range, and gives a unique combination of unbeatable light quality and consistent performance over lifetime, while keeping running costs low. The MasterColor DCM Elite MR16 combines the familiar compact shape of MR16 halogen lamps with the performance of ceramic metal halide MasterColor Elite lamps. Suited for accent/decorative lighting, general lighting and downlighting in retail applications; or for outdoor landscaping and architectural effects.

## Product data

### • General Characteristics

Base	GX10
Bulb	MR16 [2inch/50mm]
Bulb Finish	-
Operating Position	Universal [Any or Universal (U)]
Life to 5% failures	9000 hr
Life to 10% failures	10000 hr
Life to 20% failures	12000 hr
RatedAvgLife(See Family Notes)	15000 hr

### • Light Technical Characteristics

Beam Description	-
Beam Angle	10 D
Beam Angle Technical	9 (min), 12 (nom), 15 (max) D
Approx. MBCP	20000 cd
Color Code	930 [CCT of 3000K]
Color Rendering Index	90 (min), 91 (nom) Ra8
Color Temperature	3000 K
Color Temperature technical	3000 K
Forward Luminous Output	2200 (min), 2400 (nom) Lm
Forward Luminous Efficacy	61.5 Lm/W
LLMF - end nominal lifetime	86 %
Forward Lum Maintenance 2000h	95 %
Forward Lum Maintenance 4000h	93 %
Forward Lum Maintenance 8000h	90 %

Forward Lum Maintenance 12000h	87 %
Forward Lum Maintenance 15000h	86 %
Design Mean Lumens EL	2200 Lm
Chromaticity Coordinate X	0.439 -
Chromaticity Coordinate Y	0.403 -
Luminous flux in 90° cone	2150 Lm

### • Electrical Characteristics

System Power EL	43 W
Watts	35 W
Lamp Wattage EL	35 W
Lamp Wattage EL 25°C, Rated	39.0 W
Lamp Voltage	87 V
Lamp Current EL	0.450 A
Ignition Time	30 (max) s
Run-up time 90%	3 (max) min
Re-ignition Time [min]	15 (max) min
Dimmable	No
Warm-up Time to 60% Light Outp	120 s

### • Environmental Characteristics

Energy Efficiency Label (EEL)	A
Mercury (Hg) Content	4.7 mg

**PHILIPS**

# MASTERColor CDM-Rm Elite Mini

Energy consumption 43 kWh  
kWh/1000h

• UV-related Characteristics

Damage Factor D/fc 0.4 (max) -  
PET (NIOSH) 8 (min) h500lx

• Measuring Conditions

Switching cycle 1350X

• Luminaire Design Requirements

Reflector Neck 315 (max) C  
Temperature

• Product Dimensions

Reference Length A 59 (max) mm

Overall Length C 62.75 (nom), 65.4 (max) mm  
Overall Length Rim C1 60.9 (max) mm  
Diameter D 50 (nom), 51 (max) mm

• Product Data

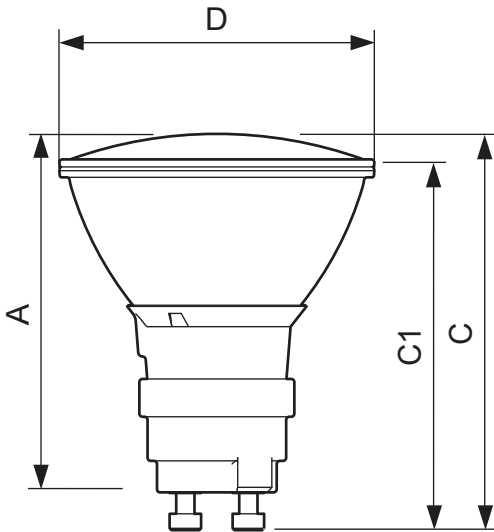
Product number 418939  
Full product name MASTERColor® CDM-Rm Elite Mini  
35W/930 GX10 MR16 10D  
Short product name CDM-Rm Elite Mini 35W/930 GX10  
MR16 10D  
Pieces per Sku 1  
eop\_pck\_cfg 12  
Skus/Case 12  
Bar code on pack 46677418939  
Bar code on case 50046677418934  
Logistics code(s) 928194605315  
tpd\_ilcos\_cd MRS/UB-35/930-H-GX10-51/54.5/10  
eop\_net\_weight\_pp 0.048 kg

## Warnings and Safety

- R "WARNING: These lamps can cause serious skin burn and eye inflammation from short wave ultraviolet radiation if outer envelope of the lamp is broken or punctured. Do not use where people will

remain for more than a few minutes unless adequate shielding or other safety precautions are used. Certain lamps that will automatically extinguish when the outer envelope is broken or punctured are commercially available." This lamp complies with FDA radiation performance standard 21 CFR subchapter J. (USA:21 CFR 1040.30 Canada: SOR/DORS/80-381)

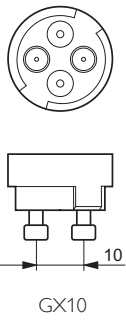
## Dimensional drawing



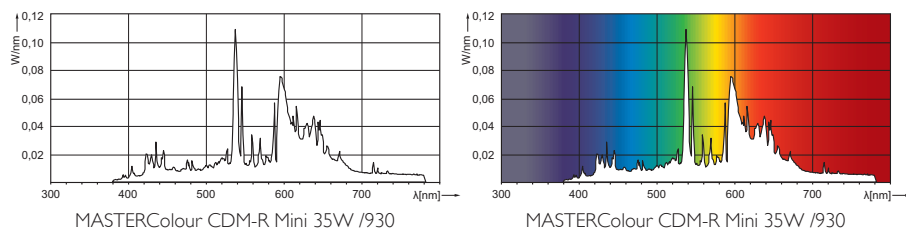
### MASTERColor CDM-Rm Elite Mini 35W/930 GX10 MR16 10D

Product	A (Max)	C (Norm)	C (Max)	C1 (Max)	D (Norm)	D (Max)
CDM-Rm 35W/930 GX10 MR16 10D	59	62.75	65.4	60.9	50	51

## Dimensional drawing



## Photometric data



© 2015 Koninklijke Philips N.V. (Royal Philips)  
All rights reserved.

Specifications are subject to change without notice. Trademarks are the property of Koninklijke Philips N.V. (Royal Philips) or their respective owners.

[www.philips.com/lighting](http://www.philips.com/lighting)

2015, January 20  
data subject to change