



Energy Advantage CDM Lamps with Allstart Technology

330W 4K ED37 CO U EA AllStart

Philips Energy Advantage CDM lamps with AllStart Technology is a high-efficiency protected “O” rated CDM lighting solution that provides energy savings without compromising light quality.

Product data

• General Characteristics

Base	Exclusionary Mogul Screw [Exclusionary Mogul Screw]
Bulb	ED37
Bulb Finish	Coated
Operating Position	Universal [Any or Universal (U)]
RatedAvgLife(See Family Notes)	24000 hr

• Light Technical Characteristics

Color Code	940 [CCT of 4000K]
Color Rendering Index	86 Ra8
Color Designation	4000 Kelvin
Color Temperature	3950 K
Color Temperature technical	3950 K
Initial lumen	31000 Lm
Luminous Efficacy Lamp	94 Lm/W
Lumen Maintenance - 10% life	90 %
Lumen Maintenance - 40% life	80 %
Design Mean Lumens	23250 Lm
Chromaticity Coordinate X	0.370 (min), 0.386 (nom), 0.402 (max)
Chromaticity Coordinate Y	0.364 (min), 0.390 (nom), 0.404 (max)

• Electrical Characteristics

Watts	330 W
Lamp Voltage	130 V
Lamp Current	3.02 A
Ignition Time	120 (max) s

• Environmental Characteristics

Mercury (Hg) Content	50 (max) mg
Picogram per Lumen Hour	90 p/LuHr

• UV-related Characteristics

Damage Factor D/fc	0.32 -
PET (NIOSH)	42.88 h500lx
UV A	10.1 mW/cm ²
UV B	0.07 mW/cm ²
UV C	0.07 mW/cm ²

• Luminaire Design Requirements

Cap-Base Temperature	130 C
Bulb Temperature	163 (max) C

• Product Dimensions

Diameter D	118 (max) mm
Light Center Length L	178 (nom), 184 (max) mm
Maximum Overall Length [inch]	11.5 (max) in
Light Center Length L	7 in
Diameter D	4.625 in

• Product Data

Product number	236935
Full product name	330W 4K ED37 CO U EA AllStart

PHILIPS

Energy Advantage CDM Lamps with Allstart Technology

Short product name CDM330/C/U/O/4K/EA/ED37
 Pieces per Sku 1
 eop_pck_cfg 6
 Skus/Case 6

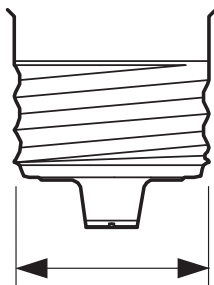
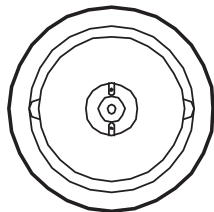
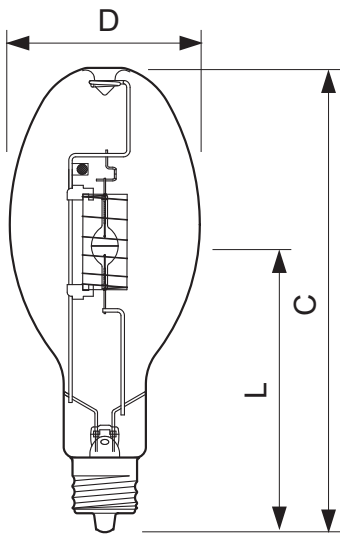
Bar code on pack 46677236939
 Bar code on case 50046677236934
 Logistics code(s) 928601166803
 eop_net_weight_pp 0.001 kg

Warnings and Safety

- R "WARNING: These lamps can cause serious skin burn and eye inflammation from short wave ultraviolet radiation if outer envelope of the lamp is broken or punctured. Do not use where people will

remain for more than a few minutes unless adequate shielding or other safety precautions are used. Certain lamps that will automatically extinguish when the outer envelope is broken or punctured are commercially available." This lamp complies with FDA radiation performance standard 21 CFR subchapter J. (USA:21 CFR 1040.30 Canada: SOR/DORS/80-381)

Dimensional drawing



Ø 39

EX39

330W 4K ED37 CO U EA AllStart

Product	C (Max)	D (Norm)	L (Norm)
CDMAllstar 330W/940 ED37 U EA AllStart	11.5	4.625	7



© 2015 Koninklijke Philips N.V. (Royal Philips)
All rights reserved.

Specifications are subject to change without notice. Trademarks are the property of Koninklijke Philips N.V. (Royal Philips) or their respective owners.

www.philips.com/lighting

2015, February 13
data subject to change