

Presented By: Candela Corporation
Contact Phone: (800) 922-9226
Contact E-mail: sales@candelacor.com


Customer Name:
Project Name:
Fixture Type:

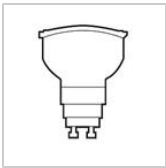
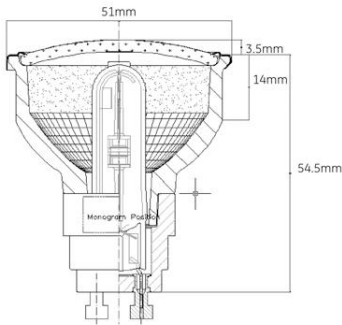


GE
Lighting

71489 - CMH39MR16/930/FL

GE ConstantColor® PulseArc® CMH® Ceramic Metal Halide MR16

 High Color Rendering
 RoHs Compliant



CAUTIONS & WARNINGS

Caution

- Risk of Burn
 - Allow lamp to cool before handling.
 - Do not turn on lamp until fully installed.
- Lamp may shatter and cause injury if broken
 - Do not use excessive force when installing lamp.
 - Do not use lamp if outer glass is scratched or broken.

Warning

- Risk of Fire
 - Keep combustible materials away from lamp.
 - Use fused or thermally protected ballast - see instructions.
 - Use in fixture rated for this product.
- Risk of Electric Shock
 - Do not use where directly exposed to water or outdoors without an enclosed fixture.
 - Turn power off before inspection, installation or removal.
- Unexpected lamp rupture may cause injury, fire, or property damage
 - Do not exceed rated voltage.
 - Do not store flammable materials near/below lamp.
 - Do not turn on lamp until fully installed.
 - Do not use beyond rated life.
 - Do not use lamp if outer glass is scratched or broken.
 - Do not use where directly exposed to water or outdoors without an enclosed fixture.
 - Use only properly rated ballast.

GRAPHS & CHARTS

Lamp Mortality

GENERAL CHARACTERISTICS

Lamp Type	High Intensity Discharge - Ceramic Metal Halide
Bulb	MR16
Base	GX10
Wattage	39
Rated Life	10000 hrs
Lamp Enclosure Type (LET)	Open or enclosed fixtures
Base Temperature	300 K
Bulb Temperature (MAX)	300 K
LEED-EB MR Credit	186 picograms Hg per mean lumen hour
Additional Info	UV control
Primary Application	Indoor Spotlight

PHOTOMETRIC CHARACTERISTICS

Initial Lumens	2200
Nominal Initial Lumens per Watt	56
Beam Spread	25 °
Center Beam Candlepower (CBCP)	5500
Color Temperature	3000 K
Color Rendering Index (CRI)	90

ELECTRICAL CHARACTERISTICS

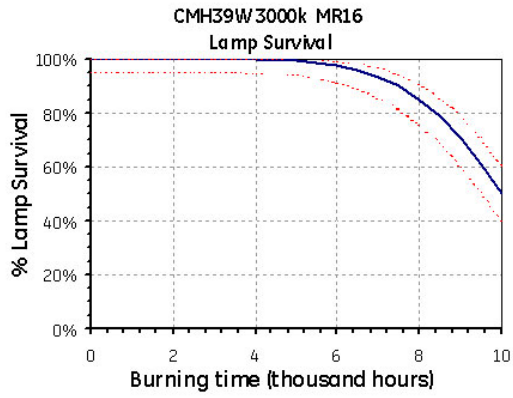
Burn Position	Universal burning position
Open Circuit Voltage (peak lead ballast)	95 V
Warm Up Time to 90%	3 min
Warm Up Time to 90% (MAX)	3 min
Hot Restart Time to 90%	6.5 min
Hot Restart Time to 90% (MAX)	6.5 min

DIMENSIONS

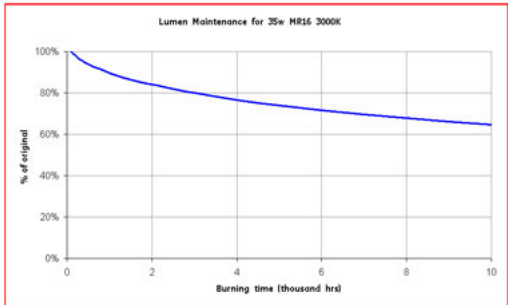
Maximum Overall Length (MOL)	2.28 cm
Bulb Diameter (DIA) (MAX)	1.99 cm

PRODUCT INFORMATION

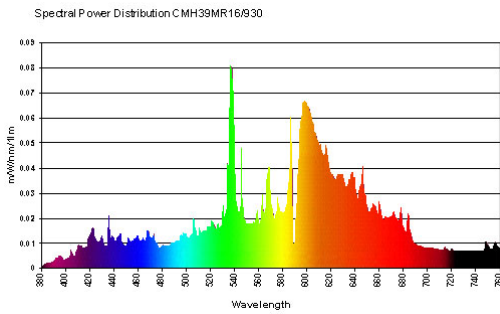
Product Code	71489
Description	CMH39MR16/930/FL
ANSI Code	C130/M130
Standard Package	Case
Standard Package GTIN	10043168714898
Standard Package Quantity	12
Sales Unit	Unit
No Of Items Per Sales Unit	1
No Of Items Per Standard Package	12
UPC	043168714891



Lumen Maintenance



Spectral Power Distribution



NOTES

- Rated life based on 11 hours per start
- Use only with electronic ballast.