



6S6 CANDELABRA SCREW BASE FLAT-TOP CLUSTER LEDs

ORDERING INFORMATION: CSBF123 5 WC 2 - 24V/25 - DP
(A) (B) (C) (D) (E) (F)

(A) MODEL

- CSBF123
- CSBF144
- CSBF188

(B) NUMBER OF LEDS

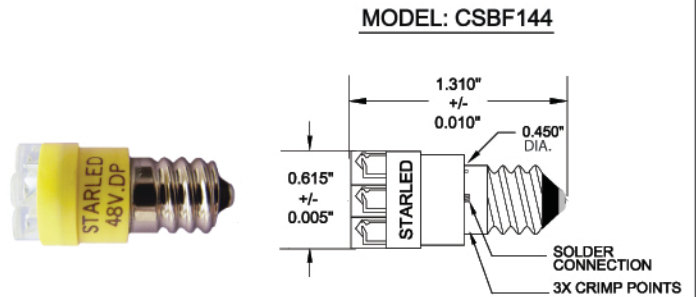
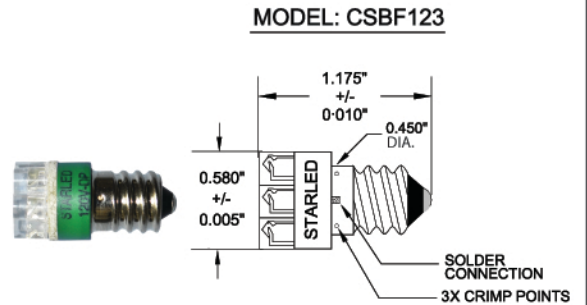
- 5= 5, T-1 ¾ CLUSTER LED (AVAILABLE IN ULTRA COLORS ONLY)
- 7= 7, T-1 ¾ CLUSTER LED

(C) LED LENS COLOR

WATER CLEAR

(D) LED EMITTING COLOR & WAVELENGTH

- 1= ULTRA RED (660nm) **OBSOLETE**
- 2= STD. RED (630-635nm)
- U2= ULTRA HI EFF. RED (623-630nm)
- 3= STD. ORANGE (605-610nm)
- U3= ULTRA ORANGE (612-620nm)
- 4= STD. YELLOW (585nm)
- *S4= ULTRA YELLOW (590-595nm)
- 5= STD. GREEN (565-570nm)
- *6NW= ULTRA PURE GREEN (520-530nm)
- *8NW= FLUORESCENT "WHITE" (NO nm VALUE)
- *10NW= ULTRA BLUE (465-475nm)
- *12NW= SOFT WHITE (NO nm VALUE)
- *MAX. CONTINUOUS CURRENT 10mA.**



(E) STANDARD DC & AC OPERATING VOLTAGES/mA

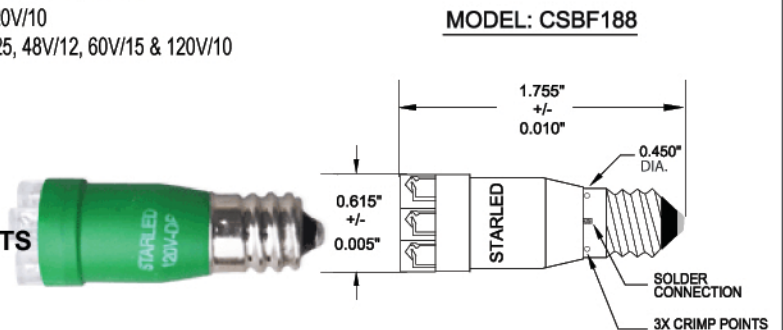
- 5 CLUSTER: 18V/25, 24V/25, 28V/25, 36V/25, 48V/12, 60V/15 & 120V/10
- 7 CLUSTER: 6V/75, 12V/50, 14V/50, 18V/25, 24V/25, 28V/25, 36V/25, 48V/12, 60V/15 & 120V/10
- NOTE: PLEASE CALL FOR OTHER VOLTAGES**

(F) CENTER CONTACT POLARITY

DP= DUAL POLARITY

DIRECT INCANDESCENT LAMP REPLACEMENTS

3S6 & 6S6, ETC...



HOUSING MAT'L. UL94VO APPROVED

SPECIFICATIONS ARE SUBJECT TO CHANGE WITHOUT NOTICE