



L.T.F

Dimmable Low Voltage LED Driver - CLASS 2



18W DA18W 120V Series Constant Current / Constant Voltage



Efficiency	higher than 85%
Power Factor	>95%
Cast TC*	90°C Max.
Protection	Input / Output
Storage	-30°C / +90°C
Humidity	95% RH Max.
IP Rating	IP 60, 65, 67
Class	Class 2 Power Supply
Dimming	ELV & Phase Dimmable
Optional Dim.	0-10V
Optional Dim.	DALI



Intertek



RoHS



FCC Part 15
Class B compliant



FEATURES

- Isolated output power per NEC and UL safety requirements
- UL and ETL recognized/ Listed, UL 8750, 1310
- Auto-reset ; Short circuit, Overload and Thermal protection
- Dimmable with ELV and Phase dimming type dimmers
- Aluminum casing for optimal heat dissipation
- Low profile, small form factor, junction box mountable
- Flicker free dimming and excellent dimming range
- Class 2 power supply and other than Class 2 options
- Efficient, high power factor, low THD, FCC compliant

ELECTRICAL SPECIFICATIONS

Constant Current					
Model #	Input Voltage	Input Current	Output Voltage	Output Current	Available Form Factors
DA18W350	120V AC 50/60Hz	0.15 A	51.5 DC	350 mA	B6, B7, C, D, D1, E, F1, F3
DA18W420	120V AC 50/60Hz	0.15 A	42.9 DC	420 mA	B6, B7, C, D, D1, E, F1, F3
DA18W440	120V AC 50/60Hz	0.15 A	40.9 DC	440 mA	B6, B7, C, D, D1, E, F1, F3
DA18W500	120V AC 50/60Hz	0.15 A	36.0 DC	500 mA	B6, B7, C, D, D1, E, F1, F3
DA18W550	120V AC 50/60Hz	0.15 A	32.8 DC	550 mA	B6, B7, C, D, D1, E, F1, F3
DA18W620	120V AC 50/60Hz	0.15 A	29.1 DC	620 mA	B6, B7, C, D, D1, E, F1, F3
DA18W700	120V AC 50/60Hz	0.15 A	25.8 DC	700 mA	B6, B7, C, D, D1, E, F1, F3
DA18W750	120V AC 50/60Hz	0.15 A	24.0 DC	750 mA	B6, B7, C, D, D1, E, F1, F3
DA18W780	120V AC 50/60Hz	0.15 A	23.1 DC	780 mA	B6, B7, C, D, D1, E, F1, F3
DA18W900	120V AC 50/60Hz	0.15 A	20.0 DC	900 mA	B6, B7, C, D, D1, E, F1, F3
DA18W950	120V AC 50/60Hz	0.15 A	18.9 DC	950 mA	B6, B7, C, D, D1, E, F1, F3
DA18W980	120V AC 50/60Hz	0.15 A	18.4 DC	980 mA	B6, B7, C, D, D1, E, F1, F3
DA18W1000	120V AC 50/60Hz	0.15 A	18.0 DC	1000 mA	B6, B7, C, D, D1, E, F1, F3
DA18W1050	120V AC 50/60Hz	0.15 A	17.2 DC	1050 mA	B6, B7, C, D, D1, E, F1, F3

* Under confirmed thermal condition

Dimmable Low Voltage LED Driver - CLASS 2 - DA18W



Constant Current

Model #	Input Voltage	Input Current	Output Voltage	Output Current	Available Form Factors
DA18W1100	120V AC 50/60Hz	0.15 A	16.4 DC	1100 mA	B6, B7, C, D, D1, E, F1, F3
DA18W1130	120V AC 50/60Hz	0.15 A	15.9 DC	1130 mA	B6, B7, C, D, D1, E, F1, F3
DA18W1180	120V AC 50/60Hz	0.15 A	15.0 DC	1200 mA	B6, B7, C, D, D1, E, F1, F3
DA18W1250	120V AC 50/60Hz	0.15 A	14.5 DC	1250 mA	B6, B7, C, D, D1, E, F1, F3

Constant Voltage

Model #	Input Voltage	Input Current	Output Voltage	Output Current	Available Form Factors
DA18W12V-0000	120V AC 50/60Hz	0.15 A	12.0 DC	1500 mA	C, E, D, F2, F3
DA18W24V-0000	120V AC 50/60Hz	0.15 A	24.0 DC	750 mA	C, E, D, F2, F3

Dimming Guide

Model #	Dimming Code
(L) DA18WXXXX	Standard Dimming
(L) DA18WXXXXD010	0-10V Dimming
(L) DA18WXXXXDALI	DALI Dimming

Remote Enclosure Option

Model #	Remote Enclosure
LDA18WXXXXRE	G1, G2
LDA18WXXXXREO	G3,G4

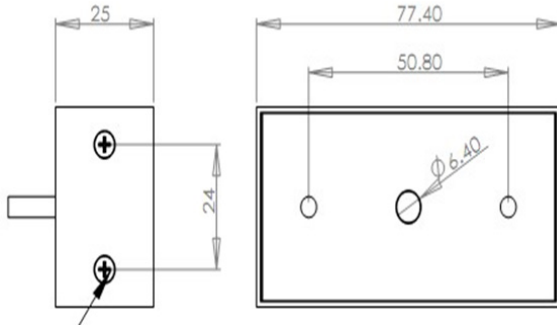
MECHANICAL SPECS.

Available Form Factors	Dimensions
"C"	77.4X X25mm
"D1"	39.5X142mm
"E"	107X44.5X24.5mm
"F2"	132X37X24.5mm
"F3"	71.6X62.6X40mm
"G1"	207X50.8X43mm
"G2"	233.1X85.5X48.9mm
"G3"	280X103X56mm
"G4"	238X66X48mm

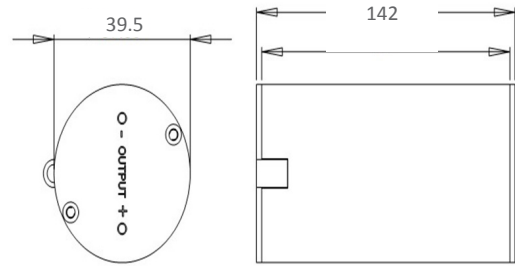


MECHANICAL SPECS.

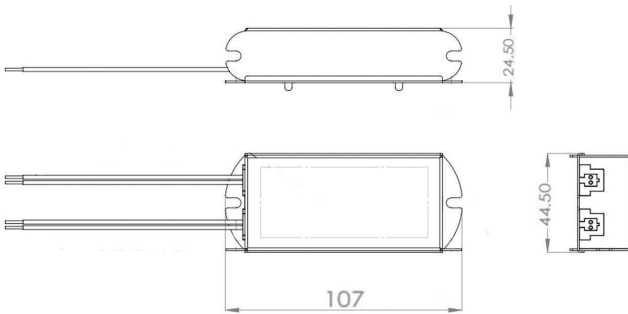
C



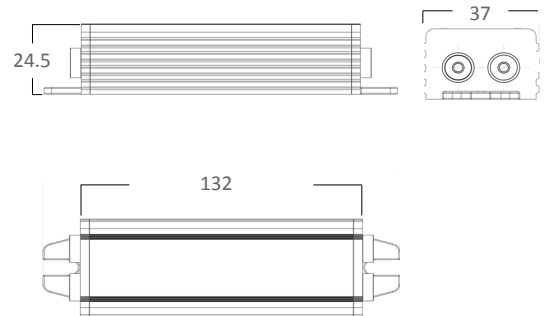
D1



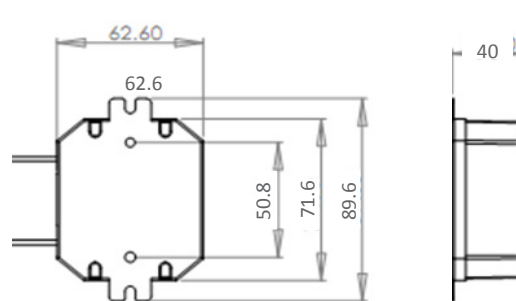
E



F2



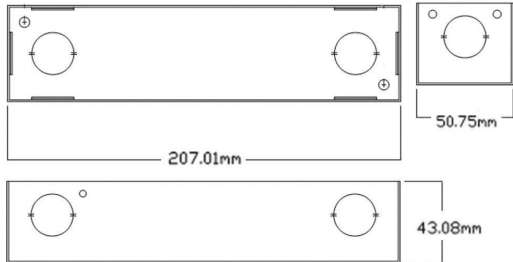
F3



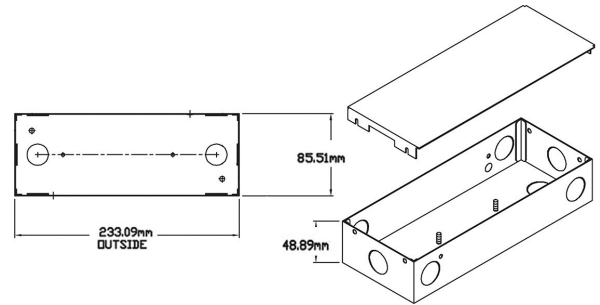


MECHANICAL SPECS. - REMOTE MODELS

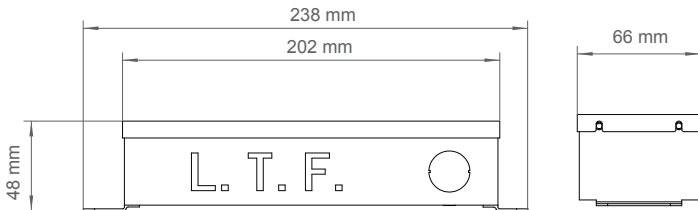
G1



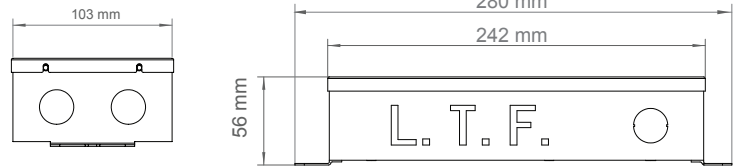
G2



G4



G3





L.T.F

Dimmable Low Voltage LED Driver - CLASS 2



18W DE18W 277V Series Constant Current / Constant Voltage



Efficiency	higher than 85%
Power Factor	>95%
Cast TC*	90°C Max.
Protection	Input / Output
Storage	-30°C / +90°C
Humidity	95% RH Max.
IP Rating	IP 60, 65, 67
Class	Class 2 Power Supply
Dimming	ELV & Phase Dimmable
Optional Dim.	0-10V
Optional Dim.	DALI



Intertek



RoHS



FCC Part 15
Class B compliant



FEATURES

- Isolated output power per NEC and UL safety requirements
- UL and ETL recognized/ Listed, UL 8750, 1310
- Auto-reset ; Short circuit, Overload and Thermal protection
- Dimmable with ELV and Phase dimming type dimmers
- Aluminum casing for optimal heat dissipation
- Low profile, small form factor, junction box mountable
- Flicker free dimming and excellent dimming range
- Class 2 power supply and other than Class 2 options
- Efficient, high power factor, low THD, FCC compliant

ELECTRICAL SPECIFICATIONS

Constant Current					
Model #	Input Voltage	Input Current	Output Voltage	Output Current	Available Form Factors
DE18W350	277V AC 50/60Hz	0.07 A	51.5 DC	350 mA	C, E, D1, F2, F3
DE18W420	277V AC 50/60Hz	0.07 A	42.9 DC	420 mA	C, E, D1, F2, F3
DE18W440	277V AC 50/60Hz	0.07 A	40.9 DC	440 mA	C, E, D1, F2, F3
DE18W500	277V AC 50/60Hz	0.07 A	36.0 DC	500 mA	C, E, D1, F2, F3
DE18W550	277V AC 50/60Hz	0.07 A	32.8 DC	550 mA	C, E, D1, F2, F3
DE18W620	277V AC 50/60Hz	0.07 A	29.1 DC	620 mA	C, E, D1, F2, F3
DE18W700	277V AC 50/60Hz	0.07 A	25.8 DC	700 mA	C, E, D1, F2, F3
DE18W750	277V AC 50/60Hz	0.07 A	24.0 DC	750 mA	C, E, D1, F2, F3
DE18W780	277V AC 50/60Hz	0.07 A	23.1 DC	780 mA	C, E, D1, F2, F3
DE18W900	277V AC 50/60Hz	0.07 A	20.0 DC	900 mA	C, E, D1, F2, F3
DE18W950	277V AC 50/60Hz	0.07 A	18.9 DC	950 mA	C, E, D1, F2, F3
DE18W980	277V AC 50/60Hz	0.07 A	18.4 DC	980 mA	C, E, D1, F2, F3
DE18W1000	277V AC 50/60Hz	0.07 A	18.0 DC	1000 mA	C, E, D1, F2, F3
DE18W1050	277V AC 50/60Hz	0.07 A	17.2 DC	1050 mA	C, E, D1, F2, F3

* Under confirmed thermal condition



Constant Current					
Model #	Input Voltage	Input Current	Output Voltage	Output Current	Available Form Factors
DE18W1100	277V AC 50/60Hz	0.07 A	16.4 DC	1100 mA	C, E, D1, F2, F3
DE18W1130	277V AC 50/60Hz	0.07 A	15.9 DC	1130 mA	C, E, D1, F2, F3
DE18W1200	277V AC 50/60Hz	0.07 A	15.0 DC	1200 mA	C, E, D1, F2, F3
DE18W1250	277V AC 50/60Hz	0.07 A	14.4 DC	1250 mA	C, E, D1, F2, F3

Constant Voltage					
Model #	Input Voltage	Input Current	Output Voltage	Output Current	Available Form Factors
DE18W12V-0000	277V AC 50/60Hz	0.07 A	12.0 DC	1500 mA	C, E, D1, F2, F3
DE18W24V-0000	277V AC 50/60Hz	0.07 A	24.0 DC	750 mA	C, E, D1, F2, F3

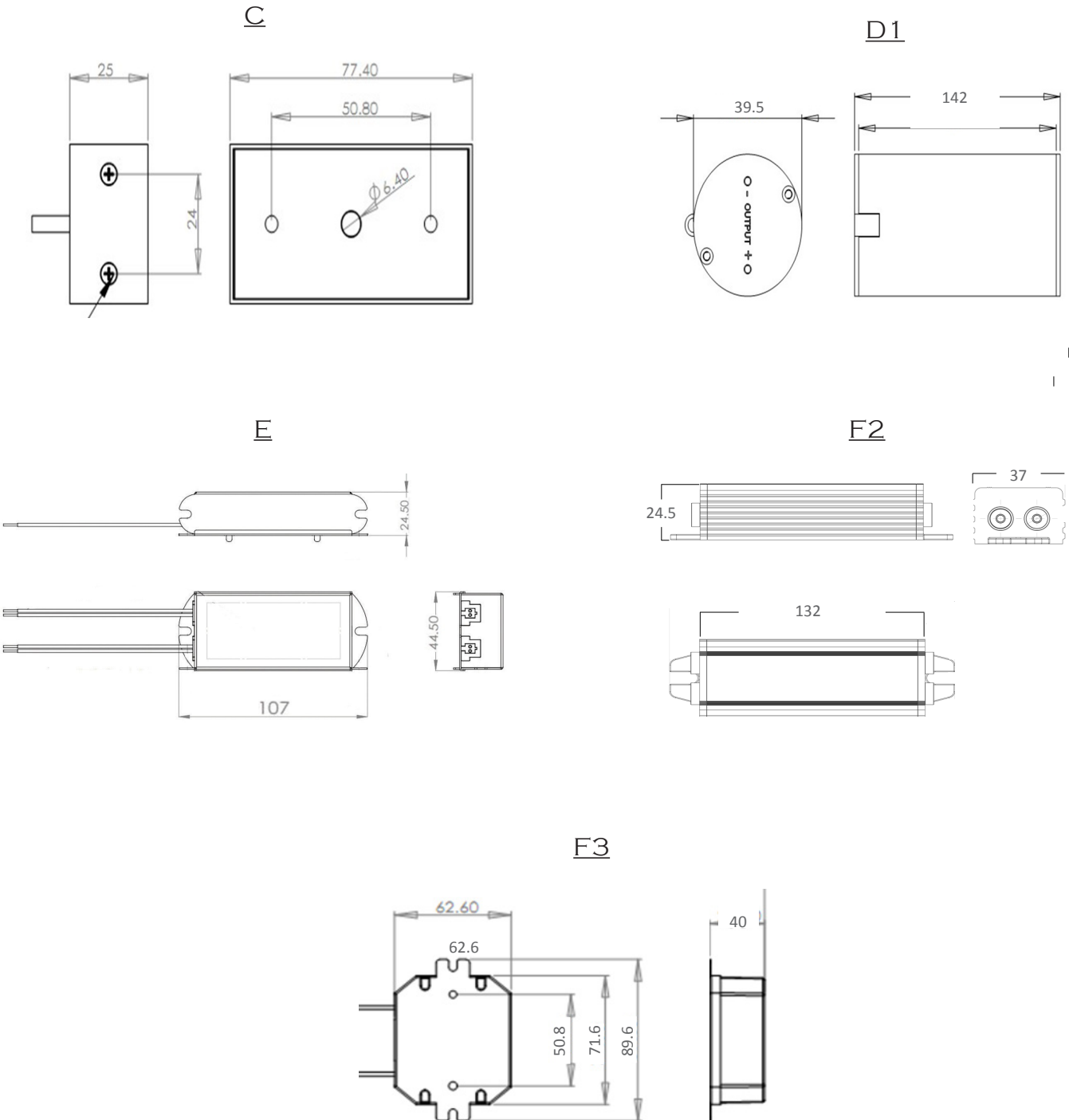
Dimming Guide	
Model #	Dimming Code
(L) DE18WXXXX	Standard Dimming
(L) DE18WXXXXD010	0-10V Dimming
(L) DE18WXXXXDALI	DALI Dimming

Remote Enclosure Option	
Model #	Remote Enclosure
LDE18WXXXXRE	G1, G2
LDE18WXXXXREO	G3, G4

MECHANICAL SPECS.

Available Form Factors	Dimensions
"C"	77.4X X25mm
"D1"	39.5X142mm
"E"	107X44.5X24.5mm
"F2"	132X37X24.5mm
"F3"	71.6X62.6X40mm
"G1"	207X50.8X43mm
"G2"	233.1X85.5X48.9mm
"G3"	280X103X56mm
"G4"	238X66X48mm

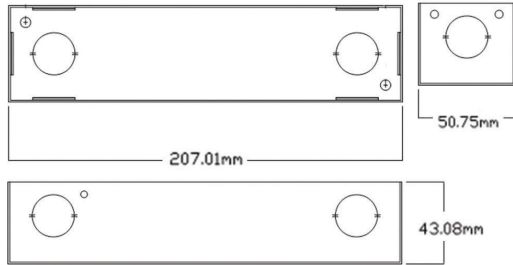
MECHANICAL SPECS.



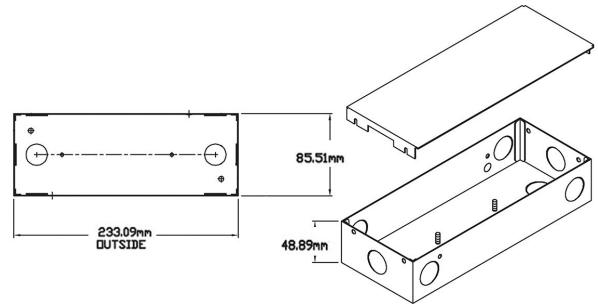


MECHANICAL SPECS. - REMOTE MODELS

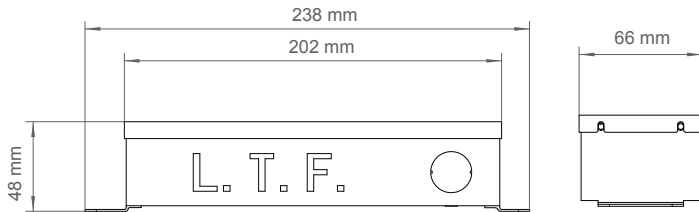
G1



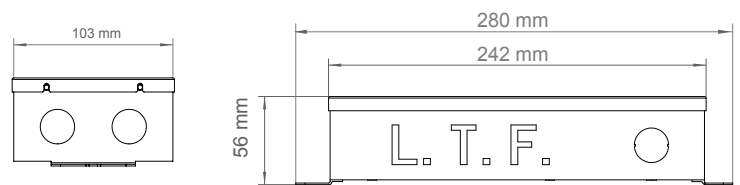
G2



G4



G3





L.T.F

Dimmable Low Voltage LED Driver - CLASS 2



18W DU18W 220-240V Series Constant Current / Constant Voltage



Efficiency	higher than 85%
Power Factor	>95%
Cast TC*	90°C Max.
Protection	Input / Output
Storage	-30°C / +90°C
Humidity	95% RH Max.
IP Rating	IP 60, 65, 67
Class	Class 2 Power Supply
Dimming	ELV & Phase Dimmable
Optional Dim.	0-10V
Optional Dim.	DALI



Intertek



RoHS



FCC Part 15
Class B compliant



FEATURES

- Isolated output power per NEC and UL safety requirements
- UL and ETL recognized/ Listed, UL 8750, 1310
- Auto-reset ; Short circuit, Overload and Thermal protection
- Dimmable with ELV and Phase dimming type dimmers
- Aluminum casing for optimal heat dissipation
- Low profile, small form factor, junction box mountable
- Flicker free dimming and excellent dimming range
- Class 2 power supply and other than Class 2 options
- Efficient, high power factor, low THD, FCC compliant

ELECTRICAL SPECIFICATIONS

Constant Current					
Model #	Input Voltage	Input Current	Output Voltage	Output Current	Available Form Factors
DU18W350	218V AC 50/60Hz	0.08 A	51.5 DC	350 mA	C, E, D1, F2, F3
DU18W418	218V AC 50/60Hz	0.08 A	43.1 DC	418 mA	C, E, D1, F2, F3
DU18W440	218V AC 50/60Hz	0.08 A	40.9 DC	440 mA	C, E, D1, F2, F3
DU18W500	218V AC 50/60Hz	0.08 A	36.0 DC	500 mA	C, E, D1, F2, F3
DU18W550	218V AC 50/60Hz	0.08 A	32.8 DC	550 mA	C, E, D1, F2, F3
DU18W618	218V AC 50/60Hz	0.08 A	29.2 DC	618 mA	C, E, D1, F2, F3
DU18W700	218V AC 50/60Hz	0.08 A	25.8 DC	700 mA	C, E, D1, F2, F3
DU18W750	218V AC 50/60Hz	0.08 A	24.0 DC	750 mA	C, E, D1, F2, F3
DU18W780	218V AC 50/60Hz	0.08 A	23.1 DC	780 mA	C, E, D1, F2, F3
DU18W900	218V AC 50/60Hz	0.08 A	20.0 DC	900 mA	C, E, D1, F2, F3
DU18W950	218V AC 50/60Hz	0.08 A	18.9 DC	950 mA	C, E, D1, F2, F3
DU18W980	218V AC 50/60Hz	0.08 A	18.4 DC	980 mA	C, E, D1, F2, F3
DU18W1000	218V AC 50/60Hz	0.08 A	18.0 DC	1000 mA	C, E, D1, F2, F3
DU18W1050	218V AC 50/60Hz	0.08 A	17.2 DC	1050 mA	C, E, D1, F2, F3

* Under confirmed thermal condition



Constant Current					
Model #	Input Voltage	Input Current	Output Voltage	Output Current	Available Form Factors
DU18W1100	218V AC 50/60Hz	0.08 A	16.4 DC	1100 mA	C, E, D1, F2, F3
DU18W1130	218V AC 50/60Hz	0.08 A	15.9 DC	1130 mA	C, E, D1, F2, F3
DU18W1180	218V AC 50/60Hz	0.08 A	15.3 DC	1180 mA	C, E, D1, F2, F3
DU18W1250	218V AC 50/60Hz	0.08 A	14.4 DC	1250 mA	C, E, D1, F2, F3

Constant Voltage					
Model #	Input Voltage	Input Current	Output Voltage	Output Current	Available Form Factors
DU18W12V-0000	218V AC 50/60Hz	0.08 A	12.0 DC	1500 mA	C, E, D1, F2, F3
DU18W24V-0000	218V AC 50/60Hz	0.08 A	24.0 DC	750 mA	C, E, D1, F2, F3

Dimming Guide	
Model #	Dimming Code
(L) DU18WXXXX	Standard Dimming
(L) DU18WXXXXD010	0-10V Dimming
(L) DU18WXXXXDALI	DALI Dimming

Remote Enclosure Option	
Model #	Remote Enclosure
LDU18WXXXX	G1, G2

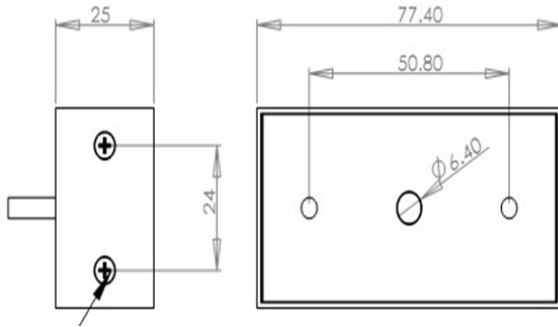
MECHANICAL SPECS.

Available Form Factors	Dimensions
"C"	77.4X X25mm
"D1"	39.5X142mm
"E"	107X44.5X24.5mm
"F2"	132X37X24.5mm
"F3"	71.6X62.6X40mm
"G1"	207X50.8X43mm
"G2"	233.1X85.5X48.9mm
"G3"	280X103X56mm
"G4"	238X66X48mm

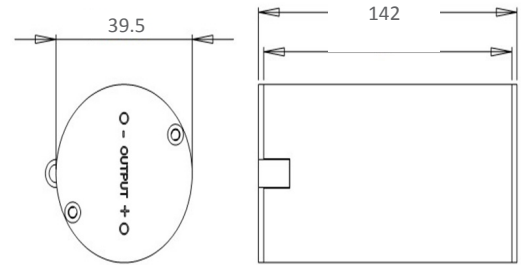


MECHANICAL SPECS.

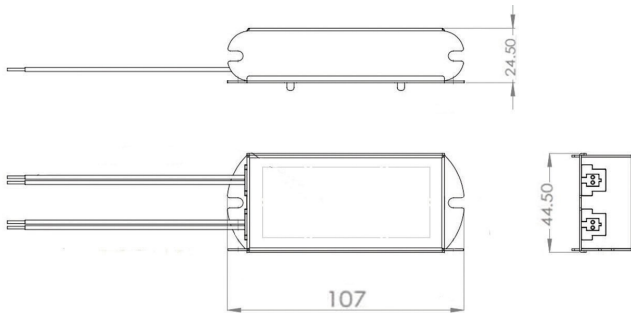
C



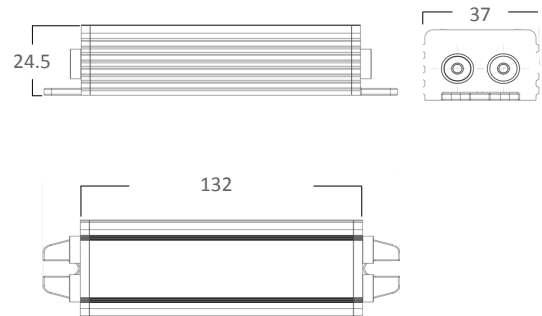
D1



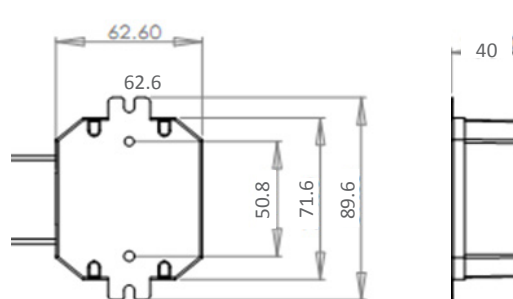
E



F2



F3





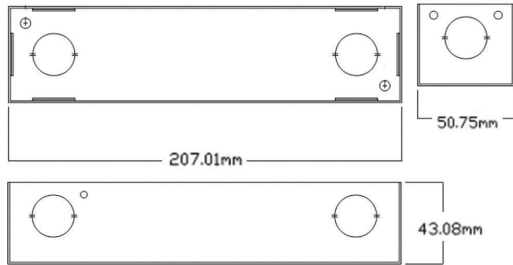
L.T.F.

L.T.F.

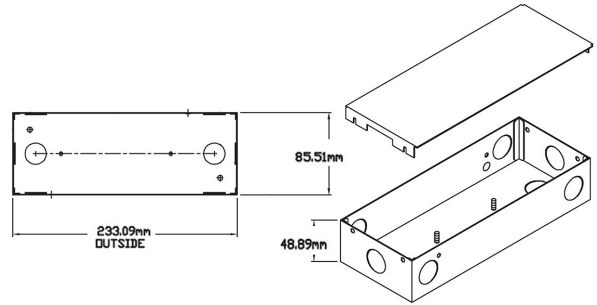


MECHANICAL SPECS. - REMOTE MODELS

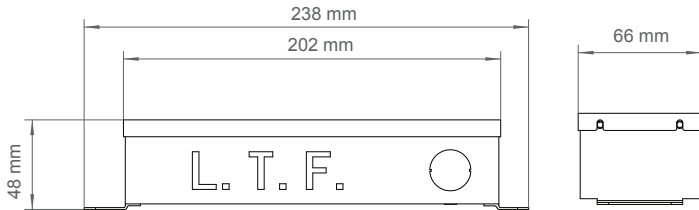
G1



G2



G4



G3

