

**DA18W450C2740-3001**  
Constant Current



Efficiency	>85%
Power Factor	>0.95
Case TC	90°C Max.
Protection	Input / Output
Storage	-30°C / +90°C
Humidity	95% RH Max.
IP Rating	IP 60
Class	Class 2 Power Supply
Dimming	ELV / TRIAC Dimmable
Optional Dimming	0-10V / DALI

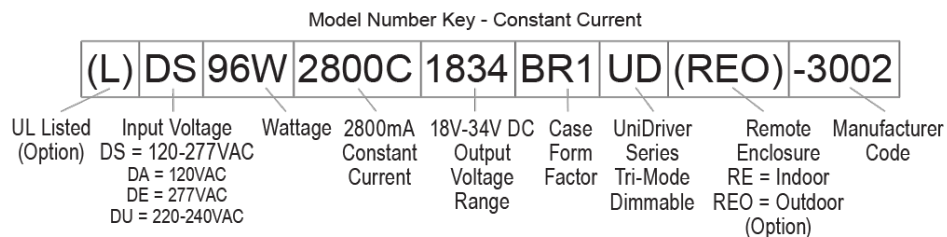


- Isolated output power per NEC and UL safety requirements
- UL and ETL recognized / Listed, UL8750, 1310
- Auto-reset; Short circuit, overload and thermal protection
- Dimmable with ELV and TRIAC type dimmers

**FEATURES**

- Aluminum casing for optimal heat dissipation
- Low profile, small form factor, junction box mountable
- Flicker free dimming and excellent dimming range
- Class 2 power supply and other than Class 2 options
- Efficient, high power factor, low THD, FCC compliant

**MODEL KEY**



**MODEL SPECIFICATIONS**

CONSTANT CURRENT						
Model Number	Input Voltage	Wattage	Input Current	Output Voltage	Output Current	Available Form Factor
DA18W450C2740-3001	120V AC 50/60Hz	18W	0.15A	27 - 40V DC LED	450mA	T11

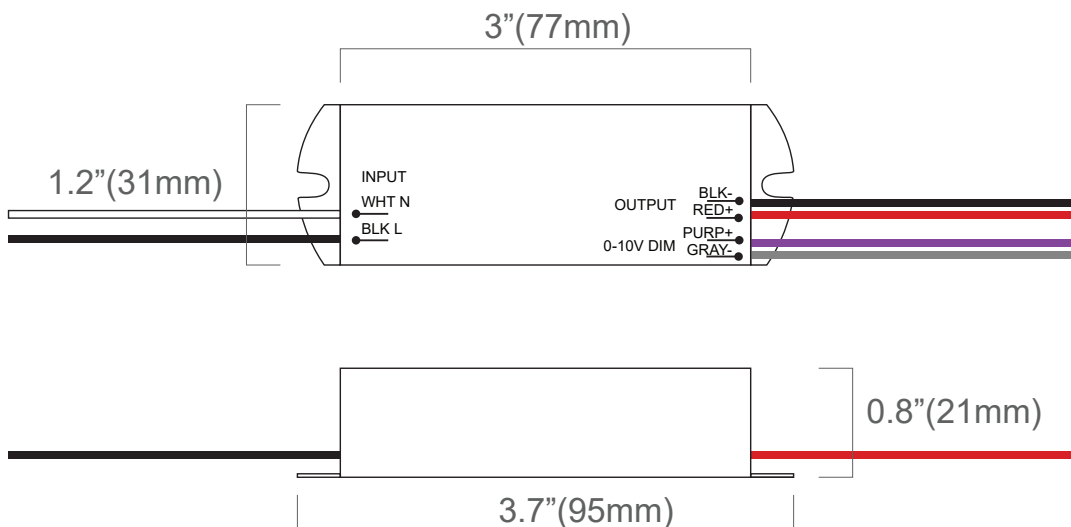
DIMMING GUIDE	
MODEL#	DIMMING CODE
(L) DA18WXXXX	Standard Dimming
(L) DA18WXXXXDO10	0-10V Dimming
(L) DA18WXXXXDALI	DALI Dimming

REMOTE ENCLOSURE OPTION	
MODEL#	REMOTE ENCLOSURE
LDA18WXXXXRE	G1
LDA18WXXXXREO	G3

**MECHANICAL SPECS**

FORM FACTOR	DIMENSIONS
T11	95 (77) x 31 x 21mm

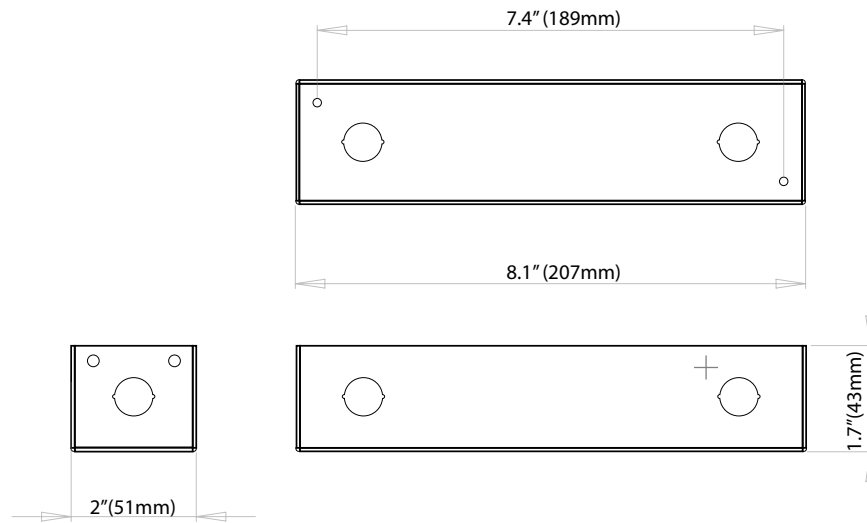
**T11**



**REMOTE ENCLOSURE SPECS**

REMOTE ENCLOSURE OPTION	FORM FACTOR	DIMENSIONS
LDA18WXXXXRE	G1	207 x 51 x 43mm
LDA18WXXXXREO	G3	280 (242) x 103 x 56mm

**G1**



**G3**

