



L.T.F

Dimmable Low Voltage LED Driver - CLASS 2



30W DA30W 120V Series Constant Current / Constant Voltage



Efficiency	higher than 85%
Power Factor	>95%
Case TC	90°C Max.
Protection	Input / Output
Storage	-30°C / +90°C
Humidity	95% RH Max.
IP Rating	IP 60, 65, 67
Class	Class 2 Power Supply
Dimming	ELV & Triac Dimmable
Optional Dim.	0-10V
Optional Dim.	DALI



Intertek



RoHS



FCC Part 15
Class B compliant



*Ask for more
Information

FEATURES

- Isolated output power per NEC and UL safety requirements
- UL and ETL recognized/ Listed, UL 8750, 1310
- Auto-reset ; Short circuit, Overload and Thermal protection
- Dimmable with ELV and Triac type dimmers
- Aluminum casing for optimal heat dissipation
- Low profile, small form factor, junction box mountable
- Flicker free dimming and excellent dimming range
- Class 2 power supply and other than Class 2 options
- Efficient, high power factor, low THD, FCC compliant

ELECTRICAL SPECIFICATIONS

Constant Current					
Model #	Input Voltage	Input Current	Output Voltage	Output Current	Available Form Factors
DA30W500C	120V AC 50/60Hz	0.25 A	60.0V DC	500 mA	BF2, BF21, F2, F3, LS3
DA30W550C	120V AC 50/60Hz	0.25 A	54.6V DC	550 mA	BF2, BF21, F2, F3, LS3
DA30W620C	120V AC 50/60Hz	0.25 A	48.4V DC	620 mA	BF2, BF21, F2, F3, LS3
DA30W700C	120V AC 50/60Hz	0.25 A	42.9V DC	700 mA	BF2, BF21, F2, F3, LS3, T31, T41
DA30W750C	120V AC 50/60Hz	0.25 A	40.0V DC	750 mA	BF2, BF21, F2, F3, LS3
DA30W780C	120V AC 50/60Hz	0.25 A	38.5V DC	780 mA	BF2, BF21, F2, F3, LS3
DA30W900C	120V AC 50/60Hz	0.25 A	33.4V DC	900 mA	BF2, BF21, F2, F3, LS3
DA30W950C	120V AC 50/60Hz	0.25 A	31.6V DC	950 mA	BF2, BF21, F2, F3, LS3
DA30W980C	120V AC 50/60Hz	0.25 A	30.7V DC	980 mA	BF2, BF21, F2, F3, LS3
DA30W1000C	120V AC 50/60Hz	0.25 A	30.0V DC	1000 mA	BF2, BF21, F2, F3, LS3
DA30W1050C	120V AC 50/60Hz	0.25 A	28.6V DC	1050 mA	BF2, BF21, F2, F3, LS3
DA30W1100C	120V AC 50/60Hz	0.25 A	27.3V DC	1100 mA	BF2, BF21, F2, F3, LS3
DA30W1130C	120V AC 50/60Hz	0.25 A	26.6V DC	1130 mA	BF2, BF21, F2, F3, LS3
DA30W1200C	120V AC 50/60Hz	0.25 A	25.0V DC	1200 mA	BF2, BF21, F2, F3, LS3

Dimmable Low Voltage LED Driver - CLASS 2 - DA30W



Constant Current					
Model #	Input Voltage	Input Current	Output Voltage	Output Current	Available Form Factors
DA30W1250C	120V AC 50/60Hz	0.25 A	24.0V DC	1250 mA	BF2, BF21, F2, F3, LS3
DA30W1280C	120V AC 50/60Hz	0.25 A	23.5V DC	1280 mA	BF2, BF21, F2, F3, LS3
DA30W1300C	120V AC 50/60Hz	0.25 A	23.1V DC	1300 mA	BF2, BF21, F2, F3, LS3
DA30W1350C	120V AC 50/60Hz	0.25 A	22.3V DC	1350 mA	BF2, BF21, F2, F3, LS3
DA30W1400C	120V AC 50/60Hz	0.25 A	21.5V DC	1400 mA	BF2, BF21, F2, F3, LS3
DA30W1420C	120V AC 50/60Hz	0.25 A	21.2V DC	1420 mA	BF2, BF21, F2, F3, LS3
DA30W1480C	120V AC 50/60Hz	0.25 A	20.3V DC	1480 mA	BF2, BF21, F2, F3, LS3
DA30W1500C	120V AC 50/60Hz	0.25 A	20.0V DC	1500 mA	BF2, BF21, F2, F3, LS3
DA30W1550C	120V AC 50/60Hz	0.25 A	19.4V DC	1550 mA	BF2, BF21, F2, F3, LS3
DA30W1600C	120V AC 50/60Hz	0.25 A	18.8V DC	1600 mA	BF2, BF21, F2, F3, LS3
DA30W1680C	120V AC 50/60Hz	0.25 A	17.9V DC	1680 mA	BF2, BF21, F2, F3, LS3
DA30W1700C	120V AC 50/60Hz	0.25 A	17.7V DC	1700 mA	BF2, BF21, F2, F3, LS3
DA30W1750C	120V AC 50/60Hz	0.25 A	17.2V DC	1750 mA	BF2, BF21, F2, F3, LS3
DA30W1820C	120V AC 50/60Hz	0.25 A	16.5V DC	1820 mA	BF2, BF21, F2, F3, LS3
DA30W1900C	120V AC 50/60Hz	0.25 A	15.8V DC	1900 mA	BF2, BF21, F2, F3, LS3
DA30W2000C	120V AC 50/60Hz	0.25 A	15.0V DC	2000 mA	BF2, BF21, F2, F3, LS3
DA30W2050C	120V AC 50/60Hz	0.25 A	14.7V DC	2050 mA	BF2, BF21, F2, F3, LS3
DA30W2100C	120V AC 50/60Hz	0.25 A	14.3V DC	2100 mA	BF2, BF21, F2, F3, LS3
DA30W2200C	120V AC 50/60Hz	0.25 A	13.7V DC	2200 mA	BF2, BF21, F2, F3, LS3
DA30W2350C	120V AC 50/60Hz	0.25 A	12.8V DC	2350 mA	BF2, BF21, F2, F3, LS3
DA30W2400C	120V AC 50/60Hz	0.25 A	12.5V DC	2400 mA	BF2, BF21, F2, F3, LS3
DA30W2450C	120V AC 50/60Hz	0.25 A	12.3V DC	2450 mA	BF2, BF21, F2, F3, LS3
DA30W2500C	120V AC 50/60Hz	0.25 A	12.0V DC	2500 mA	BF2, BF21, F2, F3, LS3

Constant Voltage					
Model #	Input Voltage	Input Current	Output Voltage	Output Current	Available Form Factors
DA30W12V	120V AC 50/60Hz	0.25 A	12V DC	2500 mA	BF2, BF21, F2, F3, LS3
DA30W24V	120V AC 50/60Hz	0.25 A	24V DC	1250 mA	BF2, BF21, F2, F3, LS3

Dimming Guide	
Model #	Dimming Code
(L) DA30WXXXX	Standard Dimming
(L) DA30WXXXXD010	0-10V Dimming
(L) DA30WXXXXDALI	DALI Dimming

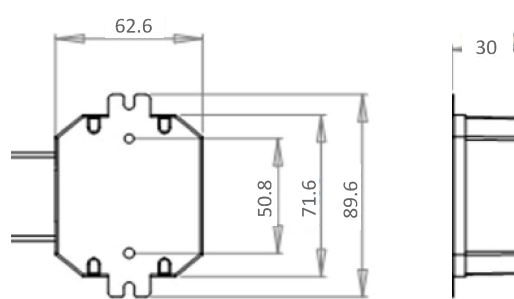


Remote Enclosure Option	
Model #	Remote Enclosure
LDA30WXXXRE	G2
LDA30WXXXREO	G3

MECHANICAL SPECS.

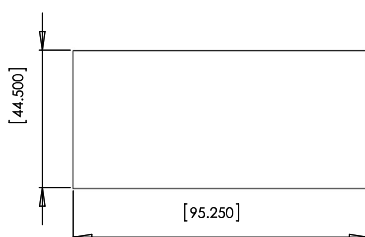
Available Form Factors	Dimensions
"BF2"	95.3X44.5X25.4mm (mounting studs)
"BF21"	95.3X44.5X25.4mm (no mounting studs)
"F2"	132X37X24.5mm
"F3"	71.6X62.6X30mm
"LS3"*	282x28x19mm
"T31"	110x51x24mm
"T41"	110x55x24mm
Remote Enclosure	
"G2"	233.1X85.5X48.9mm
"G3"	280X103X56mm

F3

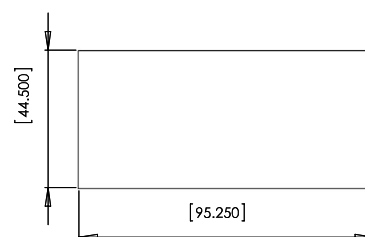
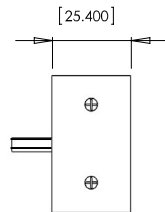


BF2

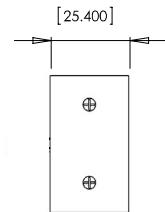
BF21



* With 13mm mounting studs



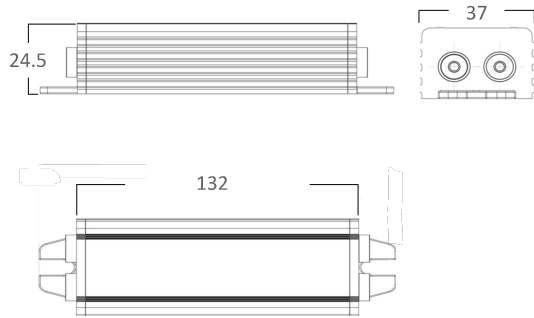
** Without 13mm mounting studs



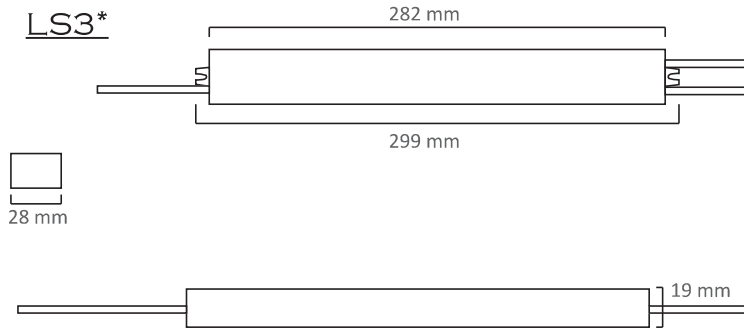
* Aluminum Enclosure



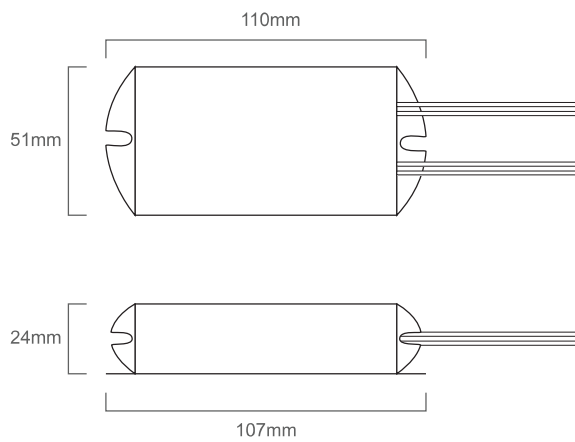
F2



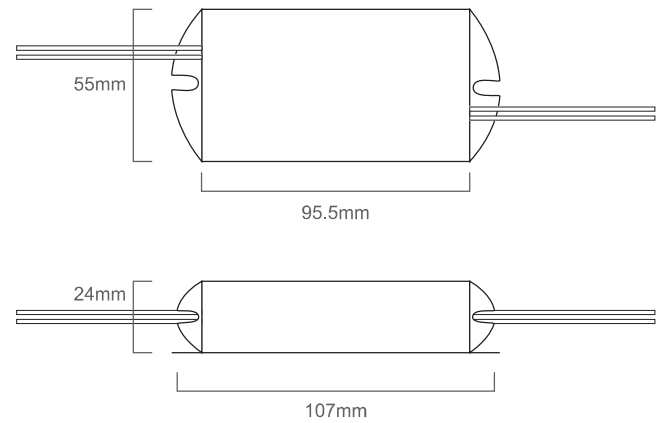
LS3*



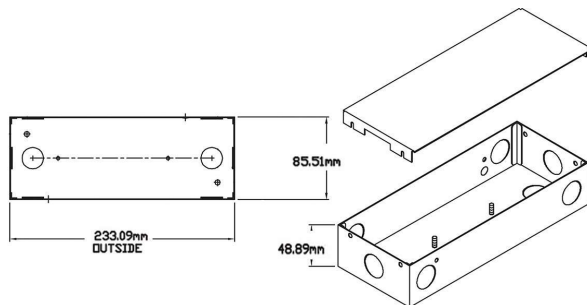
T31



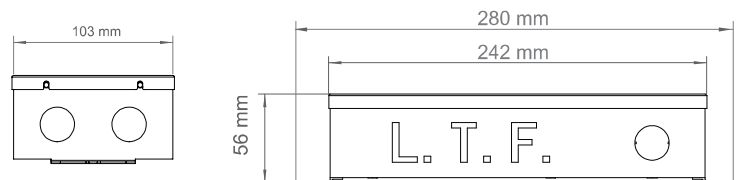
T41



G2



G3





Dimmable Low Voltage LED Driver - CLASS 2

L.T.F

30W DE30W 277V Series

Constant Current / Constant Voltage



Efficiency	higher than 85%
Power Factor	>95%
Case TC	90°C Max.
Protection	Input / Output
Storage	-30°C / +90°C
Humidity	95% RH Max.
IP Rating	IP 60, 65, 67
Class	Class 2 Power Supply
Dimming	ELV & Triac Dimmable
Optional Dim.	0-10V
Optional Dim.	DALI



Intertek



RoHS



FCC Part 15
Class B compliant



*Ask for more
Information

FEATURES

- Isolated output power per NEC and UL safety requirements
- UL and ETL recognized/ Listed, UL 8750, 1310
- Auto-reset ; Short circuit, Overload and Thermal protection
- Dimmable with ELV and Triac type dimmers
- Aluminum casing for optimal heat dissipation
- Low profile, small form factor, junction box mountable
- Flicker free dimming and excellent dimming range
- Class 2 power supply and other than Class 2 options
- Efficient, high power factor, low THD, FCC compliant

ELECTRICAL SPECIFICATIONS

Constant Current					
Model #	Input Voltage	Input Current	Output Voltage	Output Current	Available Form Factors
DE30W550C	277V AC 50/60Hz	0.11 A	60.0V DC	550 mA	BF2, BF21, F2, F3, LS3
DE30W620C	277V AC 50/60Hz	0.11 A	54.6V DC	620 mA	BF2, BF21, F2, F3, LS3
DE30W700C	277V AC 50/60Hz	0.11 A	48.4V DC	700 mA	BF2, BF21, F2, F3, LS3
DE30W750C	277V AC 50/60Hz	0.11 A	42.9V DC	750 mA	BF2, BF21, F2, F3, LS3
DE30W780C	277V AC 50/60Hz	0.11 A	40.0V DC	780 mA	BF2, BF21, F2, F3, LS3
DE30W900C	277V AC 50/60Hz	0.11 A	38.5V DC	900 mA	BF2, BF21, F2, F3, LS3
DE30W950C	277V AC 50/60Hz	0.11 A	33.4V DC	950 mA	BF2, BF21, F2, F3, LS3
DE30W980C	277V AC 50/60Hz	0.11 A	30.7V DC	980 mA	BF2, BF21, F2, F3, LS3
DE30W1000C	277V AC 50/60Hz	0.11 A	30.0V DC	1000 mA	BF2, BF21, F2, F3, LS3
DE30W1050C	277V AC 50/60Hz	0.11 A	28.6V DC	1050 mA	BF2, BF21, F2, F3, LS3
DE30W1100C	277V AC 50/60Hz	0.11 A	27.3V DC	1100 mA	BF2, BF21, F2, F3, LS3
DE30W1130C	277V AC 50/60Hz	0.11 A	26.6V DC	1130 mA	BF2, BF21, F2, F3, LS3
DE30W1200C	277V AC 50/60Hz	0.11 A	25.0V DC	1200 mA	BF2, BF21, F2, F3, LS3

Dimmable Low Voltage LED Driver - CLASS 2 - DE30W



Constant Current					
Model #	Input Voltage	Input Current	Output Voltage	Output Current	Available Form Factors
DE30W1250C	277V AC 50/60Hz	0.11 A	24.0V DC	1250 mA	BF2, BF21, F2, F3, LS3
DE30W1280C	277V AC 50/60Hz	0.11 A	23.5V DC	1280 mA	BF2, BF21, F2, F3, LS3
DE30W1300C	277V AC 50/60Hz	0.11 A	23.1V DC	1300 mA	BF2, BF21, F2, F3, LS3
DE30W1350C	277V AC 50/60Hz	0.11 A	22.3V DC	1350 mA	BF2, BF21, F2, F3, LS3
DE30W1400C	277V AC 50/60Hz	0.11 A	21.5V DC	1400 mA	BF2, BF21, F2, F3, LS3
DE30W1420C	277V AC 50/60Hz	0.11 A	21.2V DC	1420 mA	BF2, BF21, F2, F3, LS3
DE30W1480C	277V AC 50/60Hz	0.11 A	20.3V DC	1480 mA	BF2, BF21, F2, F3, LS3
DE30W1500C	277V AC 50/60Hz	0.11 A	20.0V DC	1500 mA	BF2, BF21, F2, F3, LS3
DE30W1550C	277V AC 50/60Hz	0.11 A	19.4V DC	1550 mA	BF2, BF21, F2, F3, LS3
DE30W1600C	277V AC 50/60Hz	0.11 A	18.8V DC	1600 mA	BF2, BF21, F2, F3, LS3
DE30W1680C	277V AC 50/60Hz	0.11 A	17.9V DC	1680 mA	BF2, BF21, F2, F3, LS3
DE30W1700C	277V AC 50/60Hz	0.11 A	17.7V DC	1700 mA	BF2, BF21, F2, F3, LS3
DE30W1750C	277V AC 50/60Hz	0.11 A	17.2V DC	1750 mA	BF2, BF21, F2, F3, LS3
DE30W1820C	277V AC 50/60Hz	0.11 A	16.5V DC	1820 mA	BF2, BF21, F2, F3, LS3
DE30W1900C	277V AC 50/60Hz	0.11 A	15.8V DC	1900 mA	BF2, BF21, F2, F3, LS3
DE30W2000C	277V AC 50/60Hz	0.11 A	15.0V DC	2000 mA	BF2, BF21, F2, F3, LS3
DE30W2050C	277V AC 50/60Hz	0.11 A	14.7V DC	2050 mA	BF2, BF21, F2, F3, LS3
DE30W2100C	277V AC 50/60Hz	0.11 A	14.3V DC	2100 mA	BF2, BF21, F2, F3, LS3
DE30W2200C	277V AC 50/60Hz	0.11 A	13.7V DC	2200 mA	BF2, BF21, F2, F3, LS3
DE30W2350C	277V AC 50/60Hz	0.11 A	12.8V DC	2350 mA	BF2, BF21, F2, F3, LS3
DE30W2400C	277V AC 50/60Hz	0.11 A	12.5V DC	2400 mA	BF2, BF21, F2, F3, LS3
DE30W2450C	277V AC 50/60Hz	0.11 A	12.3V DC	2450 mA	BF2, BF21, F2, F3, LS3
DE30W2500C	277V AC 50/60Hz	0.11 A	12.0V DC	2500 mA	BF2, BF21, F2, F3, LS3

Constant Voltage					
Model #	Input Voltage	Input Current	Output Voltage	Output Current	Available Form Factors
DE30W12V	277V AC 50/60Hz	0.11 A	12V DC	2500 mA	BF2, BF21, F2, F3, LS3
DE30W24V	277V AC 50/60Hz	0.11 A	24V DC	1250 mA	BF2, BF21, F2, F3, LS3

Dimming Guide	
Model #	Dimming Code
(L) DE30WXXXX	Standard Dimming
(L) DE30WXXXXD010	0-10V Dimming
(L) DE30WXXXXDALI	DALI Dimming

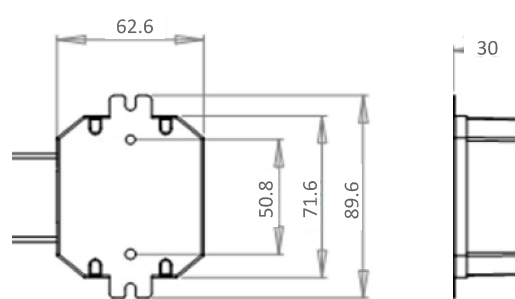


Remote Enclosure Option	
Model #	Remote Enclosure
LDE30WXXXXRE	G2
LDE30WXXXXREO	G3

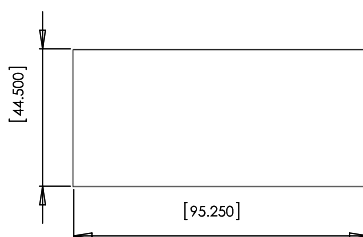
MECHANICAL SPECS.

Available Form Factors	Dimensions
"BF2"	95.3X44.5X25.4mm (mounting studs)
"BF21"	95.3X44.5X25.4mm (no mounting studs)
"F2"	132X37X24.5mm
"F3"	71.6X62.6X30mm
"LS3"*	282x28x19mm
Remote Enclosure	
"G2"	233.1X85.5X48.9mm
"G3"	280X103X56mm

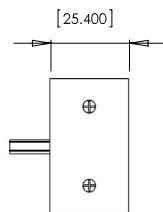
F3



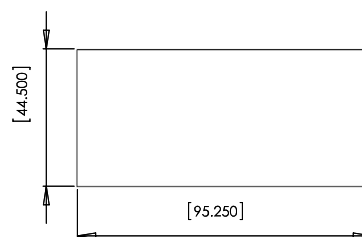
BF2



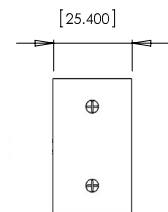
* With 13mm mounting studs



BF21



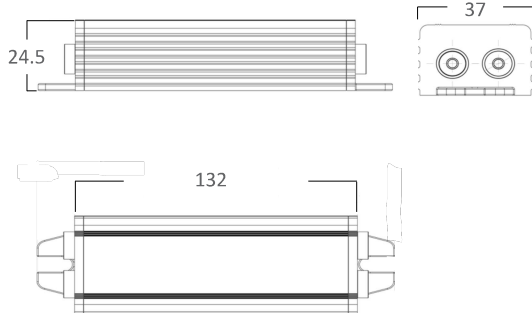
** Without 13mm mounting studs



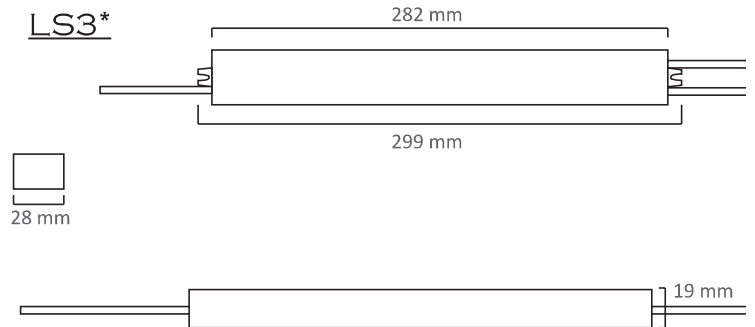
* Aluminum Enclosure



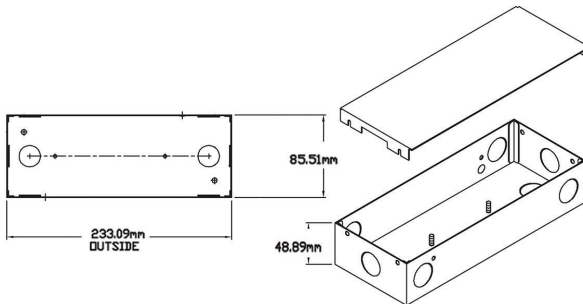
F2



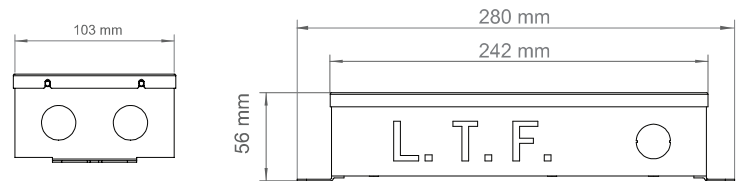
LS3*



G2



G3





L.T.F

Dimmable Low Voltage LED Driver - CLASS 2



30W DU30W 220-240V Series Constant Current / Constant Voltage



Efficiency	higher than 85%
Power Factor	>95%
Case TC	90°C Max.
Protection	Input / Output
Storage	-30°C / +90°C
Humidity	95% RH Max.
IP Rating	IP 60, 65, 67
Class	Class 2 Power Supply
Dimming	ELV & Triac Dimmable
Optional Dim.	0-10V
Optional Dim.	DALI



Intertek



RoHS



FCC Part 15
Class B compliant



*Ask for more
Information

FEATURES

- Isolated output power per NEC and UL safety requirements
- UL and ETL recognized/ Listed, UL 8750, 1310
- Auto-reset ; Short circuit, Overload and Thermal protection
- Dimmable with ELV and Triac type dimmers
- Aluminum casing for optimal heat dissipation
- Low profile, small form factor, junction box mountable
- Flicker free dimming and excellent dimming range
- Class 2 power supply and other than Class 2 options
- Efficient, high power factor, low THD, FCC compliant

ELECTRICAL SPECIFICATIONS

Constant Current					
Model #	Input Voltage	Input Current	Output Voltage	Output Current	Available Form Factors
DU30W550C	220-240V AC 50/60Hz	0.2 A	60.0V DC	550 mA	BF2, BF21, F2, F3, LS3
DU30W620C	220-240V AC 50/60Hz	0.2 A	54.6V DC	620 mA	BF2, BF21, F2, F3, LS3
DU30W700C	220-240V AC 50/60Hz	0.2 A	48.4V DC	700 mA	BF2, BF21, F2, F3, LS3
DU30W750C	220-240V AC 50/60Hz	0.2 A	42.9V DC	750 mA	BF2, BF21, F2, F3, LS3
DU30W780C	220-240V AC 50/60Hz	0.2 A	40.0V DC	780 mA	BF2, BF21, F2, F3, LS3
DU30W900C	220-240V AC 50/60Hz	0.2 A	38.5V DC	900 mA	BF2, BF21, F2, F3, LS3
DU30W950C	220-240V AC 50/60Hz	0.2 A	33.4V DC	950 mA	BF2, BF21, F2, F3, LS3
DU30W980C	220-240V AC 50/60Hz	0.2 A	30.7V DC	980 mA	BF2, BF21, F2, F3, LS3
DU30W1000C	220-240V AC 50/60Hz	0.2 A	30.0V DC	1000 mA	BF2, BF21, F2, F3, LS3
DU30W1050C	220-240V AC 50/60Hz	0.2 A	28.6V DC	1050 mA	BF2, BF21, F2, F3, LS3
DU30W1100C	220-240V AC 50/60Hz	0.2 A	27.3V DC	1100 mA	BF2, BF21, F2, F3, LS3
DU30W1130C	220-240V AC 50/60Hz	0.2 A	26.6V DC	1130 mA	BF2, BF21, F2, F3, LS3
DU30W1200C	220-240V AC 50/60Hz	0.2 A	25.0V DC	1200 mA	BF2, BF21, F2, F3, LS3

Dimmable Low Voltage LED Driver - CLASS 2 - DU30W



Constant Current					
Model #	Input Voltage	Input Current	Output Voltage	Output Current	Available Form Factors
DU30W1250C	220-240V AC 50/60Hz	0.2 A	24.0V DC	1250 mA	BF2, BF21, F2, F3, LS3
DU30W1280C	220-240V AC 50/60Hz	0.2 A	23.5V DC	1280 mA	BF2, BF21, F2, F3, LS3
DU30W1300C	220-240V AC 50/60Hz	0.2 A	23.1V DC	1300 mA	BF2, BF21, F2, F3, LS3
DU30W1350C	220-240V AC 50/60Hz	0.2 A	22.3V DC	1350 mA	BF2, BF21, F2, F3, LS3
DU30W1400C	220-240V AC 50/60Hz	0.2 A	21.5V DC	1400 mA	BF2, BF21, F2, F3, LS3
DU30W1420C	220-240V AC 50/60Hz	0.2 A	21.2V DC	1420 mA	BF2, BF21, F2, F3, LS3
DU30W1480C	220-240V AC 50/60Hz	0.2 A	20.3V DC	1480 mA	BF2, BF21, F2, F3, LS3
DU30W1500C	220-240V AC 50/60Hz	0.2 A	20.0V DC	1500 mA	BF2, BF21, F2, F3, LS3
DU30W1550C	220-240V AC 50/60Hz	0.2 A	19.4V DC	1550 mA	BF2, BF21, F2, F3, LS3
DU30W1600C	220-240V AC 50/60Hz	0.2 A	18.8V DC	1600 mA	BF2, BF21, F2, F3, LS3
DU30W1680C	220-240V AC 50/60Hz	0.2 A	17.9V DC	1680 mA	BF2, BF21, F2, F3, LS3
DU30W1700C	220-240V AC 50/60Hz	0.2 A	17.7V DC	1700 mA	BF2, BF21, F2, F3, LS3
DU30W1750C	220-240V AC 50/60Hz	0.2 A	17.2V DC	1750 mA	BF2, BF21, F2, F3, LS3
DU30W1820C	220-240V AC 50/60Hz	0.2 A	16.5V DC	1820 mA	BF2, BF21, F2, F3, LS3
DU30W1900C	220-240V AC 50/60Hz	0.2 A	15.8V DC	1900 mA	BF2, BF21, F2, F3, LS3
DU30W2000C	220-240V AC 50/60Hz	0.2 A	15.0V DC	2000 mA	BF2, BF21, F2, F3, LS3
DU30W2050C	220-240V AC 50/60Hz	0.2 A	14.7V DC	2050 mA	BF2, BF21, F2, F3, LS3
DU30W2100C	220-240V AC 50/60Hz	0.2 A	14.3V DC	2100 mA	BF2, BF21, F2, F3, LS3
DU30W2200C	220-240V AC 50/60Hz	0.2 A	13.7V DC	2200 mA	BF2, BF21, F2, F3, LS3
DU30W2350C	220-240V AC 50/60Hz	0.2 A	12.8V DC	2350 mA	BF2, BF21, F2, F3, LS3
DU30W2400C	220-240V AC 50/60Hz	0.2 A	12.5V DC	2400 mA	BF2, BF21, F2, F3, LS3
DU30W2450C	220-240V AC 50/60Hz	0.2 A	12.3V DC	2450 mA	BF2, BF21, F2, F3, LS3
DU30W2500C	220-240V AC 50/60Hz	0.2 A	12.0V DC	2500 mA	BF2, BF21, F2, F3, LS3

Constant Voltage					
Model #	Input Voltage	Input Current	Output Voltage	Output Current	Available Form Factors
DU30W12V	220-240V AC 50/60Hz	0.2 A	12V DC	2500 mA	BF2, BF21, F2, F3, LS3
DU30W24V	220-240V AC 50/60Hz	0.2 A	24V DC	1250 mA	BF2, BF21, F2, F3, LS3

Dimming Guide	
Model #	Dimming Code
(L) DU30WXXXX	Standard Dimming
(L) DU30WXXXXD010	0-10V Dimming
(L) DU30WXXXXDALI	DALI Dimming

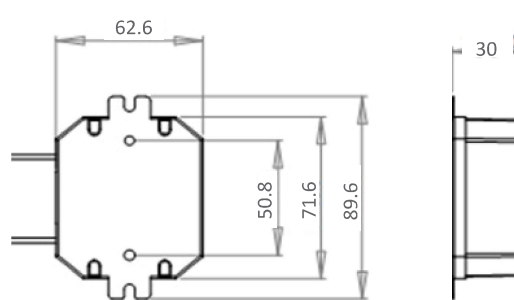


Remote Enclosure Option	
Model #	Remote Enclosure
LDU30WXXXRE	G2
LDU30WXXXREO	G3

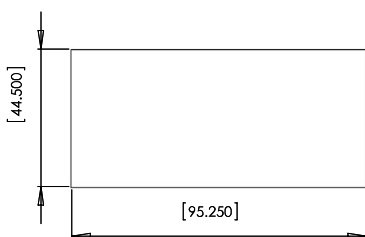
MECHANICAL SPECS.

Available Form Factors	Dimensions
"BF2"	95.3X44.5X25.4mm (mounting studs)
"BF21"	95.3X44.5X25.4mm (no mounting studs)
"F2"	132X37X24.5mm
"F3"	71.6X62.6X30mm
"LS3"*	282x28x19mm
Remote Enclosure	
"G2"	233.1X85.5X48.9mm
"G3"	280X103X56mm

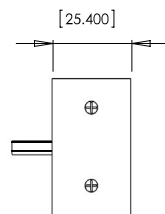
F3



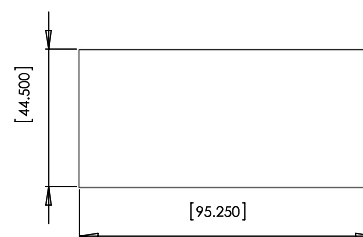
BF2



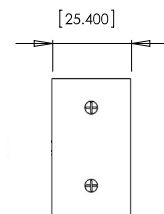
* With 13mm mounting studs



BF21



** Without 13mm mounting studs



* Aluminum Enclosure

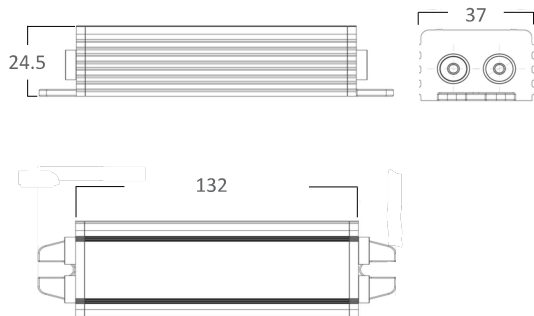


L.T.F.

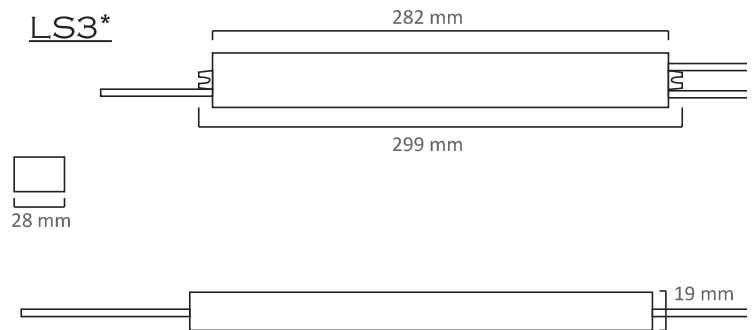
L.T.F.



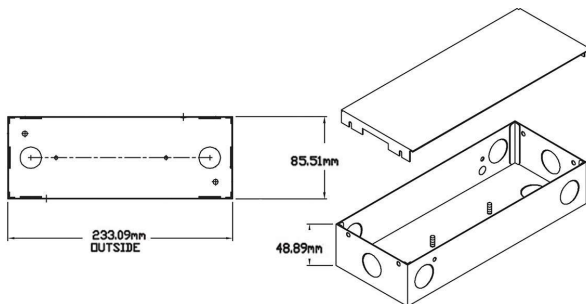
F2



LS3*



G2



G3

