



L.T.F

Dimmable Low Voltage LED Driver - CLASS 2



45W DA45W 120V Series Constant Current / Constant Voltage



Efficiency	higher than 85%
Power Factor	>95%
Case TC	90°C Max.
Protection	Input / Output
Storage	-30°C / +90°C
Humidity	95% RH Max.
IP Rating	IP 60, 65, 67
Class	Class 2 Power Supply
Dimming	ELV & Triac Dimmable
Optional Dim.	0-10V
Optional Dim.	DALI



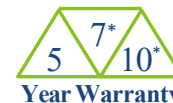
Intertek



RoHS



FCC Part 15
Class B compliant



* Ask for more
Information

FEATURES

- Isolated output power per NEC and UL safety requirements
- UL and ETL recognized/ Listed, UL 8750, 1310
- Auto-reset ; Short circuit, Overload and Thermal protection
- Dimmable with ELV and Triac type dimmers
- Aluminum casing for optimal heat dissipation
- Low profile, small form factor, junction box mountable
- Flicker free dimming and excellent dimming range
- Class 2 power supply and other than Class 2 options
- Efficient, high power factor, low THD, FCC compliant

ELECTRICAL SPECIFICATIONS

Constant Current					
Model #	Input Voltage	Input Current	Output Voltage	Output Current	Available Form Factors
DA45W700C	120V AC 50/60Hz	0.38 A	64.3V DC	700 mA	E1, F2, F3
DA45W750C	120V AC 50/60Hz	0.38 A	60.0V DC	750 mA	E1, F2, F3
DA45W780C	120V AC 50/60Hz	0.38 A	57.7V DC	780 mA	E1, F2, F3
DA45W900C	120V AC 50/60Hz	0.38 A	50.0V DC	900 mA	E1, F2, F3
DA45W950C	120V AC 50/60Hz	0.38 A	47.4V DC	950 mA	E1, F2, F3
DA45W980C	120V AC 50/60Hz	0.38 A	45.9V DC	980 mA	E1, F2, F3
DA45W1000C	120V AC 50/60Hz	0.38 A	45.0V DC	1000 mA	E1, F2, F3
DA45W1050C	120V AC 50/60Hz	0.38 A	42.9V DC	1050 mA	E1, F2, F3
DA45W1100C	120V AC 50/60Hz	0.38 A	40.9V DC	1100 mA	E1, F2, F3
DA45W1130C	120V AC 50/60Hz	0.38 A	39.9V DC	1130 mA	E1, F2, F3
DA45W1200C	120V AC 50/60Hz	0.38 A	37.5V DC	1200 mA	E1, F2, F3
DA45W1250C	120V AC 50/60Hz	0.38 A	36.0V DC	1250 mA	E1, F2, F3
DA45W1280C	120V AC 50/60Hz	0.38 A	35.2V DC	1280 mA	E1, F2, F3
DA45W1300C	120V AC 50/60Hz	0.38 A	34.7V DC	1300 mA	E1, F2, F3
DA45W1350C	120V AC 50/60Hz	0.38 A	33.4V DC	1350 mA	E1, F2, F3

Dimmable Low Voltage LED Driver - CLASS 2 - DA45W



Constant Current					
Model #	Input Voltage	Input Current	Output Voltage	Output Current	Available Form Factors
DA45W1400C	120V AC 50/60Hz	0.38 A	32.2V DC	1400 mA	E1, F2, F3
DA45W1420C	120V AC 50/60Hz	0.38 A	31.7V DC	1420 mA	E1, F2, F3
DA45W1480C	120V AC 50/60Hz	0.38 A	30.5V DC	1480 mA	E1, F2, F3
DA45W1500C	120V AC 50/60Hz	0.38 A	30.0V DC	1500 mA	E1, F2, F3
DA45W1550C	120V AC 50/60Hz	0.38 A	29.1V DC	1550 mA	E1, F2, F3
DA45W1600C	120V AC 50/60Hz	0.38 A	28.2V DC	1600 mA	E1, F2, F3
DA45W1680C	120V AC 50/60Hz	0.38 A	26.8V DC	1680 mA	E1, F2, F3
DA45W1700C	120V AC 50/60Hz	0.38 A	26.5V DC	1700 mA	E1, F2, F3
DA45W1750C	120V AC 50/60Hz	0.38 A	25.8V DC	1750 mA	E1, F2, F3
DA45W1820C	120V AC 50/60Hz	0.38 A	24.8V DC	1820 mA	E1, F2, F3
DA45W1900C	120V AC 50/60Hz	0.38 A	23.7V DC	1900 mA	E1, F2, F3
DA45W2000C	120V AC 50/60Hz	0.38 A	22.5V DC	2000 mA	E1, F2, F3
DA45W2050C	120V AC 50/60Hz	0.38 A	21.9V DC	2050 mA	E1, F2, F3
DA45W2100C	120V AC 50/60Hz	0.38 A	21.5V DC	2100 mA	E1, F2, F3
DA45W2200C	120V AC 50/60Hz	0.38 A	20.5V DC	2200 mA	E1, F2, F3
DA45W2350C	120V AC 50/60Hz	0.38 A	19.2V DC	2350 mA	E1, F2, F3
DA45W2400C	120V AC 50/60Hz	0.38 A	18.8V DC	2400 mA	E1, F2, F3
DA45W2450C	120V AC 50/60Hz	0.38 A	18.4V DC	2450 mA	E1, F2, F3
DA45W2500C	120V AC 50/60Hz	0.38 A	18.0V DC	2500 mA	E1, F2, F3
DA45W2600C	120V AC 50/60Hz	0.38 A	17.4V DC	2600 mA	E1, F2, F3
DA45W2800C	120V AC 50/60Hz	0.38 A	16.1V DC	2800 mA	E1, F2, F3
DA45W2850C	120V AC 50/60Hz	0.38 A	15.8V DC	2850 mA	E1, F2, F3
DA45W3000C	120V AC 50/60Hz	0.38 A	15.0V DC	3000 mA	E1, F2, F3

Constant Voltage					
Model #	Input Voltage	Input Current	Output Voltage	Output Current	Available Form Factors
DA45W12V	120V AC 50/60Hz	0.38 A	12V DC	3750 mA	E1, F2, F3
DA45W24V	120V AC 50/60Hz	0.38 A	24V DC	1875 mA	E1, F2, F3

Dimming Guide	
Model #	Dimming Code
(L)DA45WXXXXV	Standard Dimming
(L) DA45WXXXXVDO10	0-10V Dimming
(L) DA45WXXXXVDALI	DALI Dimming

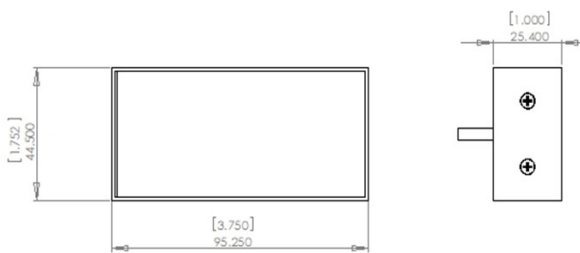


Remote Enclosure Option	
Model #	Remote Enclosure
LDA45WXXXRE	G2
LDA45WXXXREO	G3

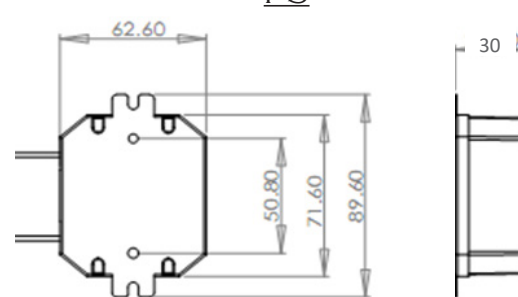
MECHANICAL SPECS.

Available Form Factors	Dimensions
"E1"	95.3X44.5X25.4mm
"F2"	132X37X24.5mm
"F3"	71.6X62.6X30mm
Remote Enclosure	
"G2"	233.1X85.5X48.9mm
"G3"	280X103X56mm

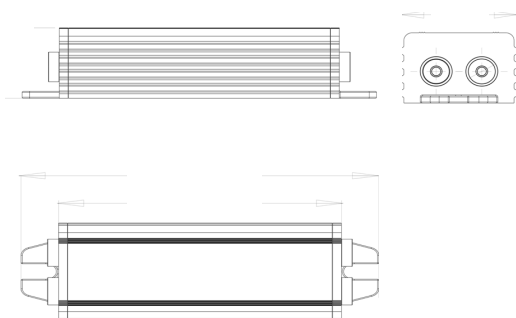
E1



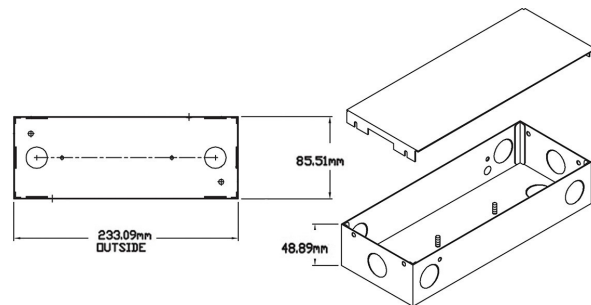
F3



F2



G2



G3

