



# L.T.F

## Dimmable Low Voltage LED Driver - CLASS 2



### 4W DA4W 120V Series Constant Current / Constant Voltage



<b>Efficiency</b>	higher than 85%
<b>Power Factor</b>	>95%
<b>Case TC</b>	90C° Max.
<b>Protection</b>	Input / Output
<b>Storage</b>	-30°C / +90°C
<b>Humidity</b>	95% RH Max.
<b>IP Rating</b>	IP 60, 65, 67
<b>Class</b>	Class 2 power Supply
<b>Standard Dimming</b>	ELV & Triac Dimmable
<b>Optional Dimming</b>	0-10V



**RoHS**



FCC Part 15  
Class B compliant



\* Ask for More Information

### FEATURES

- Isolated output power per NEC and UL safety requirements
- UL and ETL recognized/ Listed, UL 8750, 1310
- Auto-reset ; Short circuit, Overload and Thermal protection
- Dimmable with ELV and Triac type dimmers
- Aluminum casing for optimal heat dissipation
- Low profile, small form factor, junction box mountable
- Flicker free dimming and excellent dimming range
- Class 2 power supply and other than Class 2 options
- Efficient, high power factor, low THD, FCC compliant

### ELECTRICAL SPECIFICATIONS

Constant Current					
Model #	Input Voltage	Input Current	Output Voltage	Output Current	Available Form Factors
DA4W150C	120V AC 50/60Hz	0.03 A	26.5V DC	150 mA	A4, B5, D2
DA4W220C	120V AC 50/60Hz	0.03 A	18.2V DC	220 mA	A4, B5, D2
DA4W280C	120V AC 50/60Hz	0.03 A	14.3V DC	280 mA	A4, B5, D2
DA4W320C	120V AC 50/60Hz	0.03 A	12.5V DC	320 mA	A4, B5, D2
DA4W350C	120V AC 50/60Hz	0.03 A	11.4V DC	350 mA	A4, B5, D2
DA4W420C	120V AC 50/60Hz	0.03 A	9.5V DC	420 mA	A4, B5, D2
DA4W440C	120V AC 50/60Hz	0.03 A	9.0V DC	440 mA	A4, B5, D2
DA4W500C	120V AC 50/60Hz	0.03 A	8.0V DC	500 mA	A4, B5, D2
DA4W550C	120V AC 50/60Hz	0.03 A	7.3V DC	550 mA	A4, B5, D2
DA4W620C	120V AC 50/60Hz	0.03 A	6.5V DC	620 mA	A4, B5, D2
DA4W700C	120V AC 50/60Hz	0.03 A	5.7V DC	700 mA	A4, B5, D2
DA4W750C	120V AC 50/60Hz	0.03 A	5.3V DC	750 mA	A4, B5, D2
DA4W900C	120V AC 50/60Hz	0.03 A	4.4V DC	900 mA	A4, B5, D2
DA4W1000C	120V AC 50/60Hz	0.03 A	4.0V DC	1000 mA	A4, B5, D2

Dimmable Low Voltage LED Driver - CLASS 2 - DA4W



Constant Voltage					
Model #	Input Voltage	Input Current	Output Voltage	Output Current	Available Form Factors
DA4W12V	120V AC 50/60Hz	0.03 A	12V DC	333 mA	A4, B5, D2
DA4W24V	120V AC 50/60Hz	0.03 A	24V DC	166 mA	A4, B5, D2

Dimming Guide	
Model #	Dimming Code
(L) DA4WXXXX	Standard Dimming
(L) DA4WXXXXD010	0-10V Dimming
(L) DA4WXXXXDALI	DALI Dimming

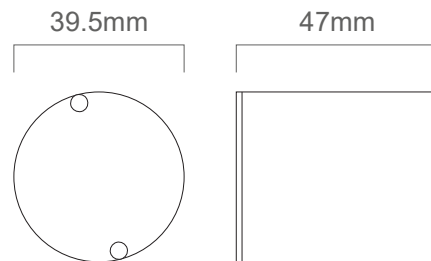
Remote Enclosure Option	
Model #	Remote Enclosure
LDA4WXXXXRE	G1
LDA4WXXXXREO	G4

**MECHANICAL SPECS**

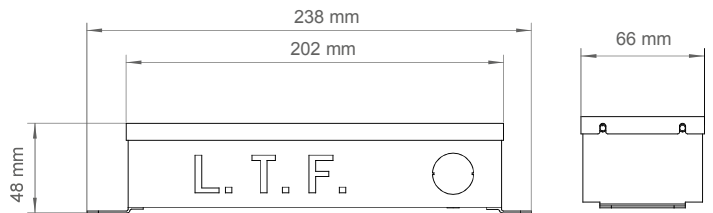
Available Form Factors	Dimensions
"A4"	68X31X21mm
"B5"	68X33X21mm
"D2"	39.5x47mm
"G1"	207X50.8X43mm
"G4"	238X66X48mm

\*\* D2 case is for standard dimming only.  
 0-10V dimming case for D2 measures 75x39.5mm  
 0-10V dimming not available in A4 case.

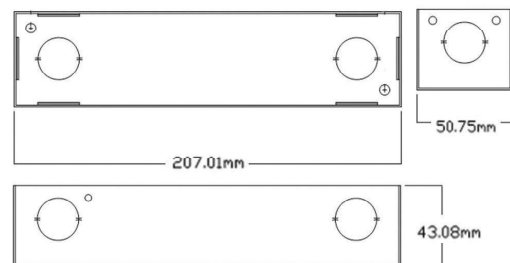
**D2\*\***



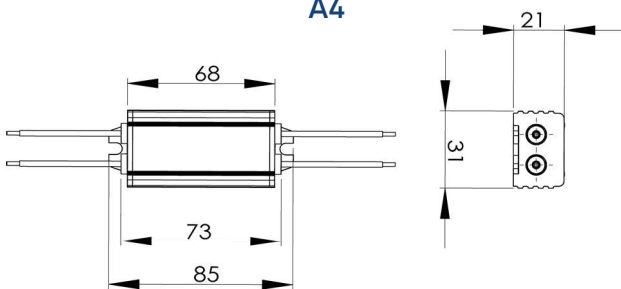
**G4**



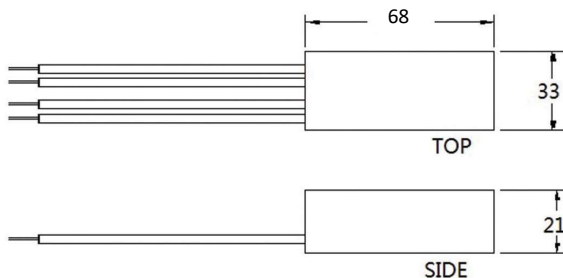
**G1**



**A4**



**B5**





# L.T.F

## Dimmable Low Voltage LED Driver - CLASS 2

4W DE4W 277V Series  
Constant Current / Constant Voltage



Efficiency	higher than 85%
Power Factor	>95%
Case TC	90C° Max.
Protection	Input / Output
Storage	-30°C / +90°C
Humidity	95% RH Max.
IP Rating	IP 60, 65, 67
Class	Class 2 power Supply
Standard Dimming	ELV & Triac Dimmable
Optional Dimming	0-10V



**RoHS**



FCC Part 15  
Class B compliant



\* Ask for More Information

### FEATURES

- Isolated output power per NEC and UL safety requirements
- UL and ETL recognized/ Listed, UL 8750, 1310
- Auto-reset ; Short circuit, Overload and Thermal protection
- Dimmable with ELV and Triac type dimmers
- Aluminum casing for optimal heat dissipation
- Low profile, small form factor, junction box mountable
- Flicker free dimming and excellent dimming range
- Class 2 power supply and other than Class 2 options
- Efficient, high power factor, low THD, FCC compliant

### ELECTRICAL SPECIFICATIONS

Constant Current					
Model #	Input Voltage	Input Current	Output Voltage	Output Current	Available Form Factors
DE4W150C	277V AC 50/60Hz	0.02 A	26.5V DC	150 mA	A4, B5, D2
DE4W220C	277V AC 50/60Hz	0.02 A	18.2V DC	220 mA	A4, B5, D2
DE4W280C	277V AC 50/60Hz	0.02 A	14.3V DC	280 mA	A4, B5, D2
DE4W320C	277V AC 50/60Hz	0.02 A	12.5V DC	320 mA	A4, B5, D2
DE4W350C	277V AC 50/60Hz	0.02 A	11.4V DC	350 mA	A4, B5, D2
DE4W420C	277V AC 50/60Hz	0.02 A	9.5V DC	420 mA	A4, B5, D2
DE4W440C	277V AC 50/60Hz	0.02 A	9.0V DC	440 mA	A4, B5, D2
DE4W500C	277V AC 50/60Hz	0.02 A	8.0V DC	500 mA	A4, B5, D2
DE4W550C	277V AC 50/60Hz	0.02 A	7.3V DC	550 mA	A4, B5, D2
DE4W620C	277V AC 50/60Hz	0.02 A	6.5V DC	620 mA	A4, B5, D2
DE4W700C	277V AC 50/60Hz	0.02 A	5.7V DC	700 mA	A4, B5, D2
DE4W750C	277V AC 50/60Hz	0.02 A	5.3V DC	750 mA	A4, B5, D2
DE4W900C	277V AC 50/60Hz	0.02 A	4.4V DC	900 mA	A4, B5, D2
DE4W1000C	277V AC 50/60Hz	0.02 A	4.0V DC	1000 mA	A4, B5, D2

Dimmable Low Voltage LED Driver - CLASS 2 - DE4W



Constant Voltage					
Model #	Input Voltage	Input Current	Output Voltage	Output Current	Available Form Factors
DE4W12V	277V AC 50/60Hz	0.02 A	12V DC	333 mA	A4, B5, D2
DE4W24V	277V AC 50/60Hz	0.02 A	24V DC	166 mA	A4, B5, D2

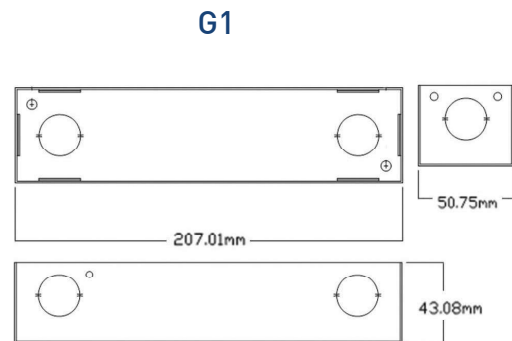
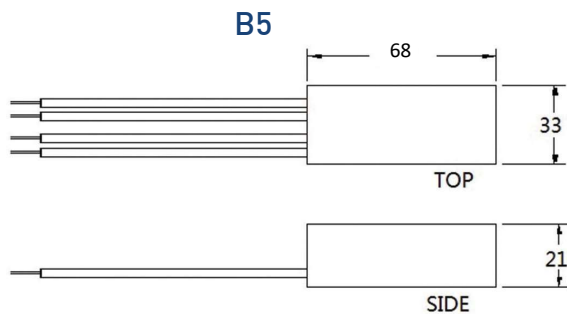
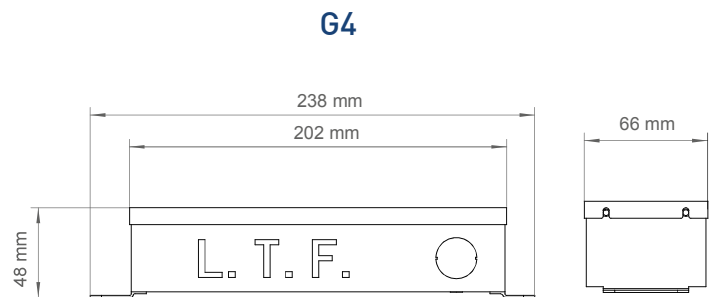
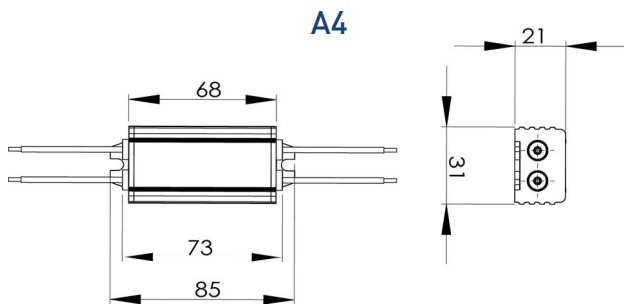
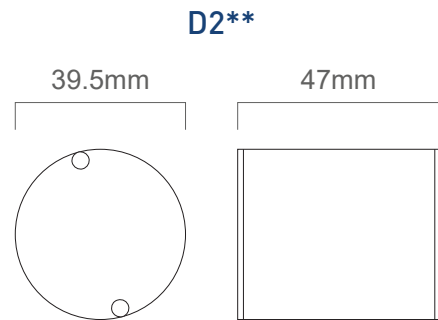
Dimming Guide	
Model #	Dimming Code
(L) DE4WXXXX	Standard Dimming
(L) DE4WXXXXD010	0-10V Dimming
(L) DE4WXXXXDALI	DALI Dimming

Remote Enclosure Option	
Model #	Remote Enclosure
LDE4WXXXXRE	G1
LDE4WXXXXREO	G4

**Mechanical Specs.**

Available Form Factors	Dimensions
"A4"	68X31X21mm
"B5"	68X33X21mm
"D2"	39.5x47mm
"G1"	207X50.8X43mm
"G4"	238X66X48mm

\*\* D2 case is for standard dimming only.  
 0-10V dimming case for D2 measures 75x39.5mm  
 0-10V dimming not available in A4 case.





# L.T.F

## Dimmable Low Voltage LED Driver - CLASS 2



### 4W DU4W 220-240V Series Constant Current / Constant Voltage



<b>Efficiency</b>	higher than 85%
<b>Power Factor</b>	>95%
<b>Case TC</b>	90°C Max.
<b>Protection</b>	Input / Output
<b>Storage</b>	-30°C / +90°C
<b>Humidity</b>	95% RH Max.
<b>IP Rating</b>	IP 60, 65, 67
<b>Class</b>	Class 2 power Supply
<b>Standard Dimming</b>	ELV & Triac Dimmable
<b>Optional Dimming</b>	0-10V



**RoHS**



FCC Part 15  
Class B compliant



\* Ask for More Information

### FEATURES

- Isolated output power per NEC and UL safety requirements
- UL and ETL recognized/ Listed, UL 8750, 1310
- Auto-reset ; Short circuit, Overload and Thermal protection
- Dimmable with ELV and Triac type dimmers
- Aluminum casing for optimal heat dissipation
- Low profile, small form factor, junction box mountable
- Flicker free dimming and excellent dimming range
- Class 2 power supply and other than Class 2 options
- Efficient, high power factor, low THD, FCC compliant

### ELECTRICAL SPECIFICATIONS

Constant Current					
Model #	Input Voltage	Input Current	Output Voltage	Output Current	Available Form Factors
DU4W150C	220-240V AC 50/60Hz	0.018 A	26.5V DC	150 mA	A4, B5, D2
DU4W220C	220-240V AC 50/60Hz	0.018 A	18.2V DC	220 mA	A4, B5, D2
DU4W280C	220-240V AC 50/60Hz	0.018 A	14.3V DC	280 mA	A4, B5, D2
DU4W320C	220-240V AC 50/60Hz	0.018 A	12.5V DC	320 mA	A4, B5, D2
DU4W350C	220-240V AC 50/60Hz	0.018 A	11.4V DC	350 mA	A4, B5, D2
DU4W420C	220-240V AC 50/60Hz	0.018 A	9.5V DC	420 mA	A4, B5, D2
DU4W440C	220-240V AC 50/60Hz	0.018 A	9.0V DC	440 mA	A4, B5, D2
DU4W500C	220-240V AC 50/60Hz	0.018 A	8.0V DC	500 mA	A4, B5, D2
DU4W550C	220-240V AC 50/60Hz	0.018 A	7.3V DC	550 mA	A4, B5, D2
DU4W620C	220-240V AC 50/60Hz	0.018 A	6.5V DC	620 mA	A4, B5, D2
DU4W700C	220-240V AC 50/60Hz	0.018 A	5.7V DC	700 mA	A4, B5, D2
DU4W750C	220-240V AC 50/60Hz	0.018 A	5.3V DC	750 mA	A4, B5, D2
DU4W900C	220-240V AC 50/60Hz	0.018 A	4.4V DC	900 mA	A4, B5, D2
DU4W1000C	220-240V AC 50/60Hz	0.018 A	4.0V DC	1000 mA	A4, B5, D2

Dimmable Low Voltage LED Driver - CLASS 2 - DU4W



Constant Voltage					
Model #	Input Voltage	Input Current	Output Voltage	Output Current	Available Form Factors
DU4W12V	220-240V AC 50/60Hz	0.018 A	12V DC	333 mA	A4, B5, D2
DU4W24V	220-240V AC 50/60Hz	0.018 A	24V DC	166 mA	A4, B5, D2

Dimming Guide	
Model #	Dimming Code
(L) DU4WXXXX	Standard Dimming
(L) DU4WXXXXD010	0-10V Dimming
(L) DU4WXXXXDALI	DALI Dimming

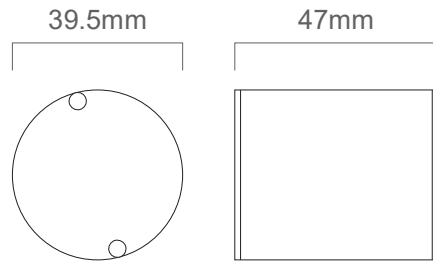
Remote Enclosure Option	
Model #	Remote Enclosure
LDU4WXXXXRE	G1
LDU4WXXXXREO	G4

**MECHANICAL SPECS**

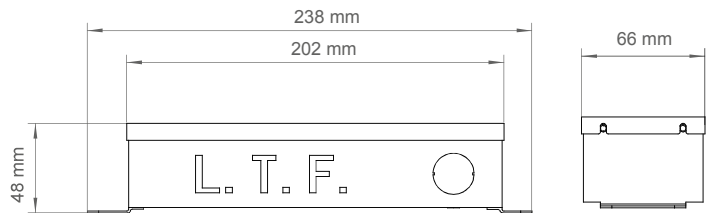
Available Form Factors	Dimensions
"A4"	68X31X21mm
"B5"	68X33X21mm
"D2"	39.5x47mm
"G1"	207X50.8X43mm
"G4"	238X66X48mm

\*\* D2 case is for standard dimming only.  
 0-10V dimming case for D2 measures 75x39.5mm  
 0-10V dimming not available in A4 case.

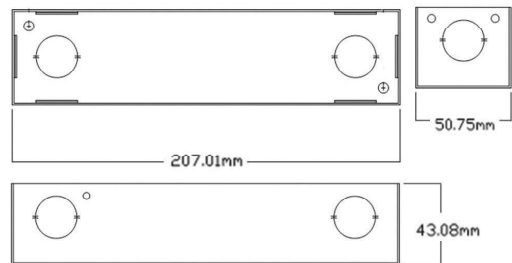
**D2\*\***



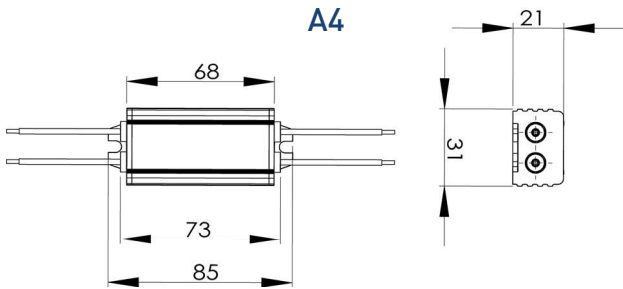
**G4**



**G1**



**A4**



**B5**

