

DUSK TO DAWN BARNLIGHT
CCT SELECTABLE BETWEEN 3000/4000/5000K



28W



40W



60W



UNIVERSAL CLAMP WITH
1 5/8" OD BRACKET



UNIVERSAL CLAMP WITH 2
3/8" OD BRACKET



CCT SWITCH



PRODUCT DESCRIPTION:

The Dusk to Dawn Barn Light is the perfect solution for many general purpose outdoor applications. It replaces traditional 100W-175W HID fixtures and can mount directly on a wall or to a pole. The prismatic lens offers a uniform distribution pattern as well as IP65 protection against the elements. All fixtures include a photo cell for dusk to dawn operation.

INSTALLATION:

- Direct Wall Mount
- Pole Mount
 - 28W accommodates 1 5/8" OD bracket which can be ordered as an accessory
 - 40/60W accommodate both 1 5/8" or 2 3/8" OD brackets, 24" arm is included

CONSTRUCTION:

- Die cast aluminum housing with corrosion resistant powder coat finish (grey), Prismatic lens
- 24" curved aluminum arm with hardware (included with 40/60W versions)

CONTROLS:

120V-277V photocontrol included with all versions, 28W has button PC with removable cap (two fixtures in one), 40W and 60W have 3-pin NEMA twist lock PC.

APPLICATION:

General purpose area application as well as pathways and secondary roads

WARRANTY:

5-year standard warranty with labor allowance* (further details available at www.maxlite.com/warranties)
*Product may be eligible for a warranty extension to 10 years, for an additional fee. Contact MaxLite for details.



MODEL SELECTION							
DBL		U	T5	-	CS	G	
FAMILY	WATTAGE (NOMINAL)	VOLTAGE	DISTRIBUTION	-	CCT	FINISH	OPTIONS
DBL=Dusk to Dawn Barn Light	28=28W ¹ 40=40W 60=60W	U=120-277V	T5=Type V		CS= CCT Selectable 3/4/5K	G=Grey Contact MaxLite for additional finishes	BLANK=120-277V photocell included (28W=Button PC with removable cap - two fixtures in one, 40/60W=Twist lock PC)

¹28W arm not included, 40/60W 24" curved arm with hardware included

STOCKED ITEMS

ORDER CODE	MODEL NUMBER	DLC QPL ID	WATTAGE (NOMINAL)	CCT
104093	DBL28UT5-CSG	PJZLJQCM	28	3/4/5K SELECTABLE
104094	DBL40UT5-CSG	PMHXJO35	40	3/4/5K SELECTABLE
104095	DBL60UT5-CSG	PPZ6MXXA	60	3/4/5K SELECTABLE
104096	DBL-ARM24		N/A	N/A

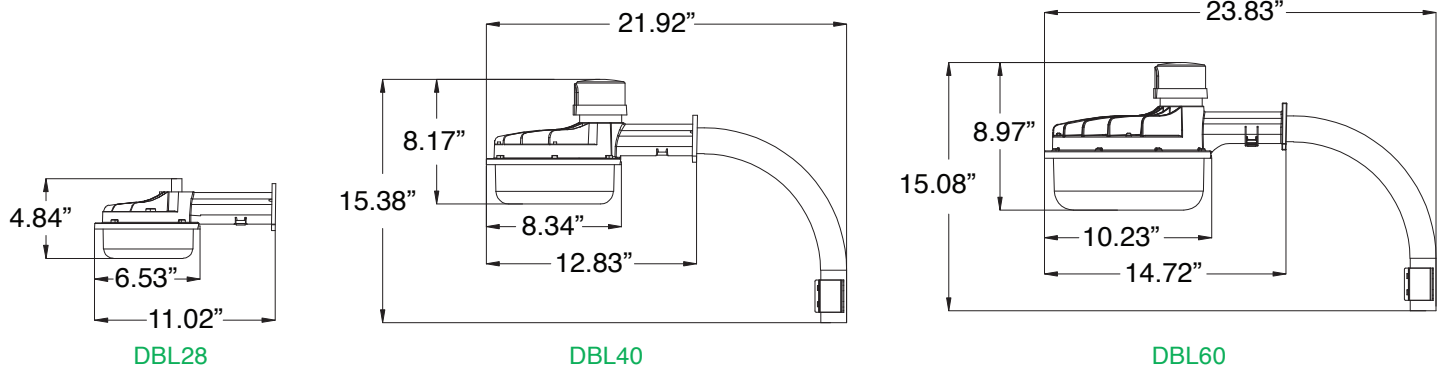
ACCESSORIES /REPLACEMENT PARTS

MODEL # (ORDER CODE)	DESCRIPTION	ACCESSORY IMAGE	MODEL # (ORDER CODE)	DESCRIPTION	ACCESSORY IMAGE
DBL-ARM24 (104093)	24" CURVED ARM WITH HARDWARE FOR WOOD POLE		PCTL-UNV (105038)	TWIST-LOCK ELECTRONIC PHOTOCONTROL	

SPECIFICATIONS

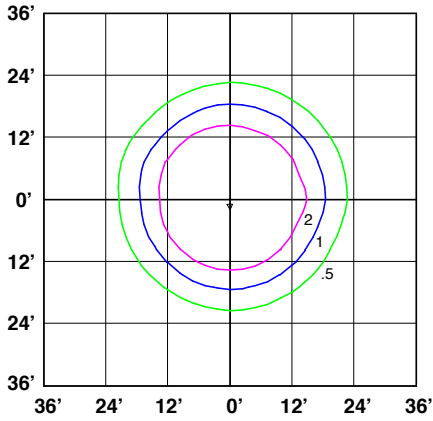
		DBL28	DBL40	DBL60
ITEM	SPECIFICATION	DETAILS		
GENERAL PERFORMANCE	Power Consumption (W)	27W	37W	59.5W
	Lumens Delivered (lm)	3,250-3,470	4,490-4,750	7,240-7,700
	Efficacy (lm/W)	121-129 lm/W	121-128 lm/W	122-129 lm/W
	CRI	≥83		
	Color Temperature	3000K/4000K/5000K (Default setting 5000K)		
	Distribution	Type V		
	Lumen Maintenance L70	140,000 Hrs	143,000 Hrs	144,000 Hrs
Operating Temperature	-40°F/40°C - 104°F/40°C			
ELECTRICAL	Voltage	120-277V		
PHYSICAL	Housing	Die Cast Aluminum with corrosion resistant powder coat finish		
	Surge Protection	6KV		
	Mounting	Wall or Arm, 28W arm not included (fits 1 5/8" OD only), 40/60W 24" curved arm included, fits 1 5/8" or 2 3/8" OD		
	Lens	UV stabilized vandal resistant polycarbonate		
CERTIFICATION	Certifications	cULus (WL), IP65, ANSI 1.5G, IK08 Impact Test, FCC		
	Warranty	5 Years		
QUALIFICATION	DesignLights Consortium	DLC Standard		

PRODUCT DIMENSIONS

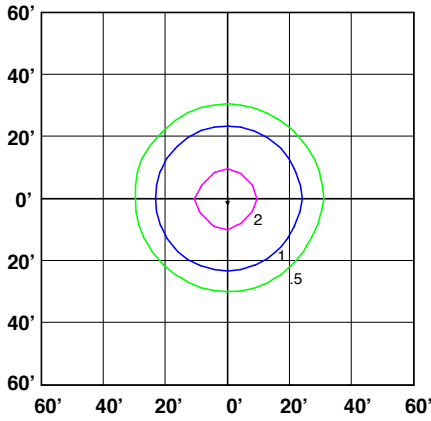


PHOTOMETRIC LAYOUTS*

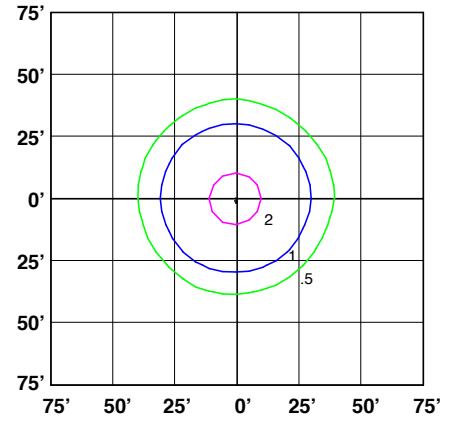
*Units in FC



28W
12' Mounting Height



40W
20' Mounting Height



60W
25' Mounting Height