



# L.T.F

## Dimmable Low Voltage LED Driver - CLASS 2



### 20W DA20W 120V Series Constant Current / Constant Voltage



<b>Efficiency</b>	higher than 85%
<b>Power Factor</b>	>95%
<b>Cast TC*</b>	90°C Max.
<b>Protection</b>	Input / Output
<b>Storage</b>	-30°C / +90°C
<b>Humidity</b>	95% RH Max.
<b>IP Rating</b>	IP 60, 65, 67
<b>Class</b>	Class 2 Power Supply
<b>Dimming</b>	ELV & Phase Dimmable
<b>Optional Dim.</b>	0-10V
<b>Optional Dim.</b>	DALI



Intertek



**RoHS**



FCC Part 15  
Class B compliant



### FEATURES

- Isolated output power per NEC and UL safety requirements
- UL and ETL recognized/ Listed, UL 8750, 1310
- Auto-reset ; Short circuit, Overload and Thermal protection
- Dimmable with ELV and Phase dimming type dimmers
- Aluminum casing for optimal heat dissipation
- Low profile, small form factor, junction box mountable
- Flicker free dimming and excellent dimming range
- Class 2 power supply and other than Class 2 options
- Efficient, high power factor, low THD, FCC compliant

### ELECTRICAL SPECIFICATIONS

Constant Current					
Model #	Input Voltage	Input Current	Output Voltage	Output Current	Available Form Factors
DA20W350	120V AC 50/60Hz	0.17 A	57.2 DC	350 mA	C, E, D1, F2, F3, LP2
DA20W420	120V AC 50/60Hz	0.17 A	47.7 DC	420 mA	C, E, D1, F2, F3, LP2
DA20W440	120V AC 50/60Hz	0.17 A	45.5 DC	440 mA	C, E, D1, F2, F3, LP2
DA20W500	120V AC 50/60Hz	0.17 A	40.0 DC	500 mA	C, E, D1, F2, F3, LP2
DA20W550	120V AC 50/60Hz	0.17 A	36.4 DC	550 mA	C, E, D1, F2, F3, LP2
DA20W620	120V AC 50/60Hz	0.17 A	32.3 DC	620 mA	C, E, D1, F2, F3, LP2
DA20W700	120V AC 50/60Hz	0.17 A	28.6 DC	700 mA	C, E, D1, F2, F3, LP2
DA20W750	120V AC 50/60Hz	0.17 A	26.7 DC	750 mA	C, E, D1, F2, F3, LP2
DA20W780	120V AC 50/60Hz	0.17 A	25.7 DC	780 mA	C, E, D1, F2, F3, LP2
DA20W900	120V AC 50/60Hz	0.17 A	22.3 DC	900 mA	C, E, D1, F2, F3, LP2
DA20W950	120V AC 50/60Hz	0.17 A	21.1 DC	950 mA	C, E, D1, F2, F3, LP2
DA20W980	120V AC 50/60Hz	0.17 A	20.5 DC	980 mA	C, E, D1, F2, F3, LP2
DA20W1000	120V AC 50/60Hz	0.17 A	20.0 DC	1000 mA	C, E, D1, F2, F3, LP2
DA20W1050	120V AC 50/60Hz	0.17 A	19.1 DC	1050 mA	C, E, D1, F2, F3, LP2

\* Under confirmed thermal condition



**Constant Current**

Model #	Input Voltage	Input Current	Output Voltage	Output Current	Available Form Factors
DA20W1100	120V AC 50/60Hz	0.17 A	18.2 DC	1100 mA	C, E, D1, F2, F3, LP2
DA20W1130	120V AC 50/60Hz	0.17 A	17.7 DC	1130 mA	C, E, D1, F2, F3, LP2
DA20W1180	120V AC 50/60Hz	0.17 A	16.7 DC	1200 mA	C, E, D1, F2, F3, LP2
DA20W1250	120V AC 50/60Hz	0.17 A	16.0 DC	1250 mA	C, E, D1, F2, F3, LP2

**Constant Voltage**

Model #	Input Voltage	Input Current	Output Voltage	Output Current	Available Form Factors
DA20W12V-0000	120V AC 50/60Hz	0.17 A	12.0 DC	1700 mA	C, E, D1, F2, F3, LP2
DA20W24V-0000	120V AC 50/60Hz	0.17 A	24.0 DC	800 mA	C, E, D1, F2, F3, LP2

**Dimming Guide**

Model #	Dimming Code
(L) DA20WXXXX	Standard Dimming
(L) DA20WXXXXD10	0-10V Dimming
(L) DA20WXXXXDALI	DALI Dimming

**Remote Enclosure Option**

Model #	Remote Enclosure
LDA20WXXXXRE	G1, G2
LDA20WXXXXREO	G3, G4

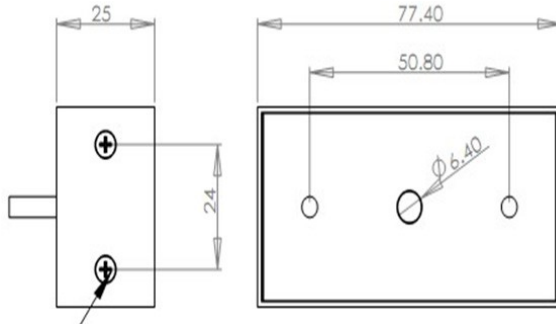
MECHANICAL SPECS.

Available Form Factors	Dimensions
"C"	77.4X X25mm
"D1"	39.5X142mm
"E"	107X44.5X24.5mm
"F2"	132X37X24.5mm
"F3"	71.6X62.6X40mm
"G1"	207X50.8X43mm
"G2"	233.1X85.5X48.9mm
"LP2"9	96x19x42mm
"G3"	280X103X56mm
"G4"	238X66X48mm

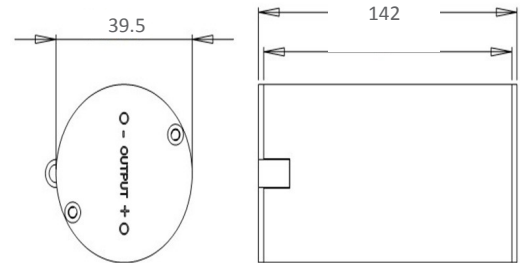


MECHANICAL SPECS.

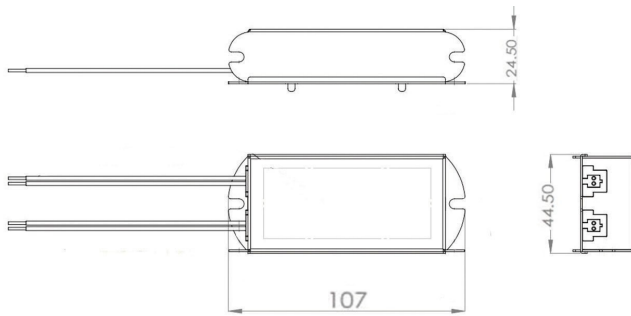
C



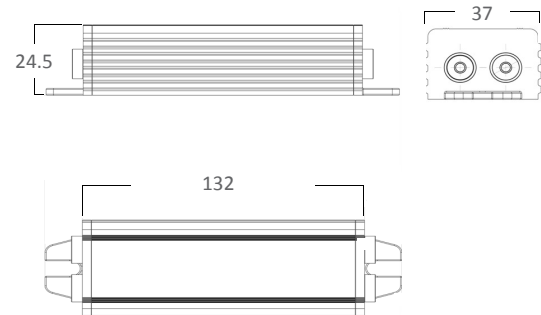
D1



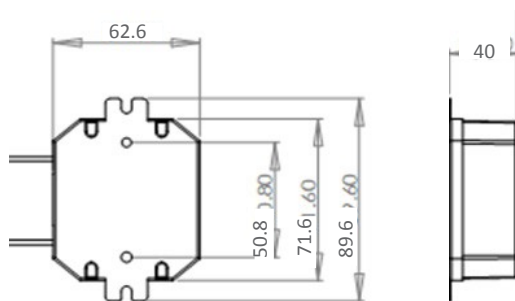
E



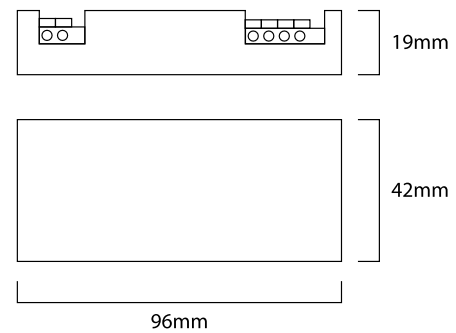
F2



F3



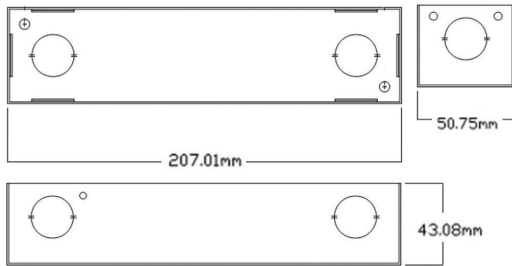
LP2



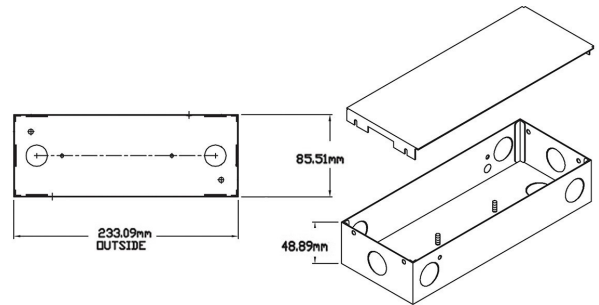


MECHANICAL SPECS. - REMOTE MODELS

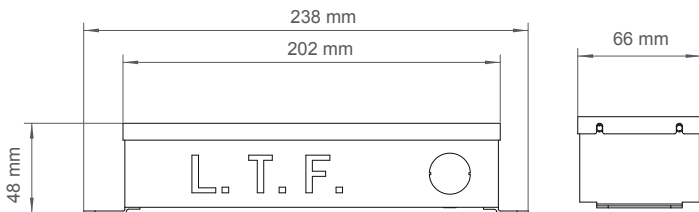
G1



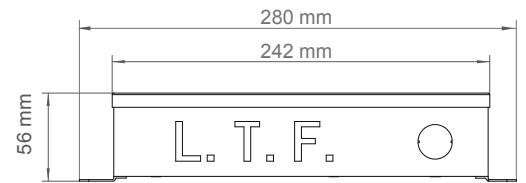
G2



G4



G3





# L.T.F

## Dimmable Low Voltage LED Driver - CLASS 2

20W DE20W 277V Series

Constant Current / Constant Voltage



Efficiency	higher than 85%
Power Factor	>95%
Cast TC*	90°C Max.
Protection	Input / Output
Storage	-30°C / +90°C
Humidity	95% RH Max.
IP Rating	IP 60, 65, 67
Class	Class 2 Power Supply
Dimming	ELV & Phase Dimmable
Optional Dim.	0-10V
Optional Dim.	DALI



Intertek



**RoHS**



FCC Part 15  
Class B compliant



### FEATURES

- Isolated output power per NEC and UL safety requirements
- UL and ETL recognized/ Listed, UL 8750, 1310
- Auto-reset ; Short circuit, Overload and Thermal protection
- Dimmable with ELV and Phase dimming type dimmers
- Aluminum casing for optimal heat dissipation
- Low profile, small form factor, junction box mountable
- Flicker free dimming and excellent dimming range
- Class 2 power supply and other than Class 2 options
- Efficient, high power factor, low THD, FCC compliant

### ELECTRICAL SPECIFICATIONS

Constant Current					
Model #	Input Voltage	Input Current	Output Voltage	Output Current	Available Form Factors
DE20W350	277V AC 50/60Hz	0.07 A	57.2 DC	350 mA	C, E, D1, F2, F3, LP2
DE20W420	277V AC 50/60Hz	0.07 A	47.7 DC	420 mA	C, E, D1, F2, F3, LP2
DE20W440	277V AC 50/60Hz	0.07 A	45.5 DC	440 mA	C, E, D1, F2, F3, LP2
DE20W500	277V AC 50/60Hz	0.07 A	40.0 DC	500 mA	C, E, D1, F2, F3, LP2
DE20W550	277V AC 50/60Hz	0.07 A	36.4 DC	550 mA	C, E, D1, F2, F3, LP2
DE20W620	277V AC 50/60Hz	0.07 A	32.3 DC	620 mA	C, E, D1, F2, F3, LP2
DE20W700	277V AC 50/60Hz	0.07 A	28.6 DC	700 mA	C, E, D1, F2, F3, LP2
DE20W750	277V AC 50/60Hz	0.07 A	26.7 DC	750 mA	C, E, D1, F2, F3, LP2
DE20W780	277V AC 50/60Hz	0.07 A	25.7 DC	780 mA	C, E, D1, F2, F3, LP2
DE20W900	277V AC 50/60Hz	0.07 A	22.3 DC	900 mA	C, E, D1, F2, F3, LP2
DE20W950	277V AC 50/60Hz	0.07 A	21.1 DC	950 mA	C, E, D1, F2, F3, LP2
DE20W980	277V AC 50/60Hz	0.07 A	20.5 DC	980 mA	C, E, D1, F2, F3, LP2
DE20W1000	277V AC 50/60Hz	0.07 A	20.0 DC	1000 mA	C, E, D1, F2, F3, LP2
DE20W1050	277V AC 50/60Hz	0.07 A	19.1 DC	1050 mA	C, E, D1, F2, F3, LP2

\* Under confirmed thermal condition

L.T.F. L.L.C. PHONE: (847) 498-5832 FAX: (773) 337-5628 EMAIL: sales@ltftechnology.com

Company's Address: 2905 MacArthur Blvd Northbrook, IL 60062 U.S.A. [www.ltftechnology.com](http://www.ltftechnology.com)

© L.T.F., L.L.C. All rights reserved. L.T.F. reserves the right to change specification for product improvements without notification

Dimmable Low Voltage LED Driver - CLASS 2 - DE20W



Constant Current					
Model #	Input Voltage	Input Current	Output Voltage	Output Current	Available Form Factors
DE20W1100	277V AC 50/60Hz	0.07 A	18.2 DC	1100 mA	C, E, D1, F2, F3, LP2
DE20W1130	277V AC 50/60Hz	0.07 A	17.7 DC	1130 mA	C, E, D1, F2, F3, LP2
DE20W1200	277V AC 50/60Hz	0.07 A	16.7 DC	1200 mA	C, E, D1, F2, F3, LP2
DE20W1250	277V AC 50/60Hz	0.07 A	16.0 DC	1250 mA	C, E, D1, F2, F3, LP2

Constant Voltage					
Model #	Input Voltage	Input Current	Output Voltage	Output Current	Available Form Factors
DE20W12V-0000	277V AC 50/60Hz	0.07 A	12.0 DC	1700 mA	C, E, D1, F2, F3, LP2
DE20W24V-0000	277V AC 50/60Hz	0.07 A	24.0 DC	830 mA	C, E, D1, F2, F3, LP2

Dimming Guide	
Model #	Dimming Code
(L) DE20WXXXX	Standard Dimming
(L) DE20WXXXXD010	0-10V Dimming
(L) DE20WXXXXDALI	DALI Dimming

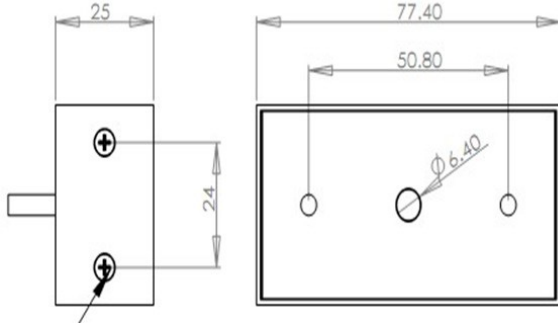
Remote Enclosure Option	
Model #	Remote Enclosure
LDE20WXXXXRE	G1, G2
LDE20WXXXXREO	G3, G4

MECHANICAL SPECS.

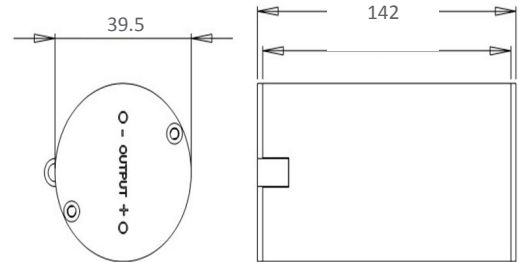
Available Form Factors	Dimensions
"C"	77.4X X25mm
"D1"	39.5X142mm
"E"	107X44.5X24.5mm
"F2"	132X37X24.5mm
"F3"	71.6X62.6X40mm
"G1"	207X50.8X43mm
"G2"	233.1X85.5X48.9mm
"LP2"	96x19x42mm
"G3"	280X103X56mm
"G4"	238X66X48mm

MECHANICAL SPECS.

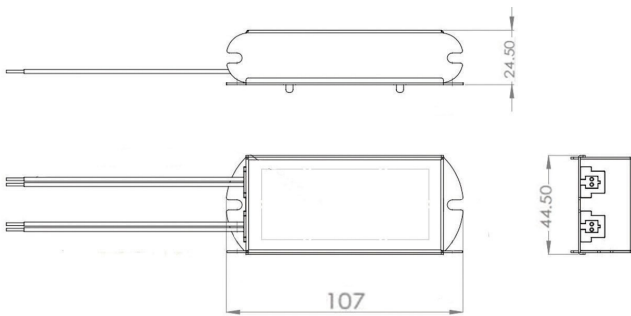
C



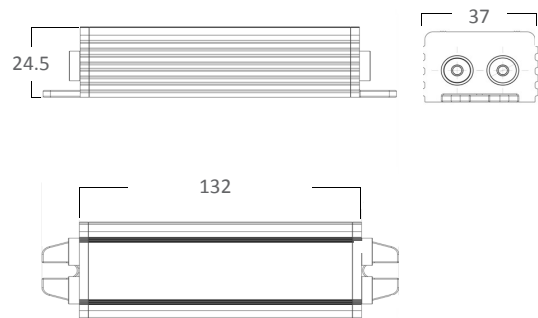
D1



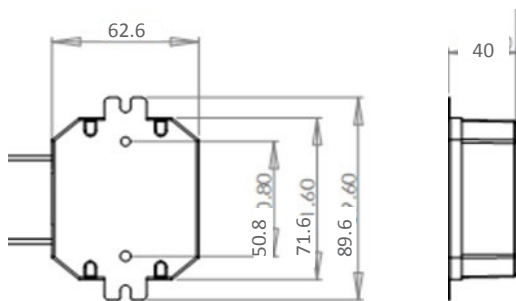
E



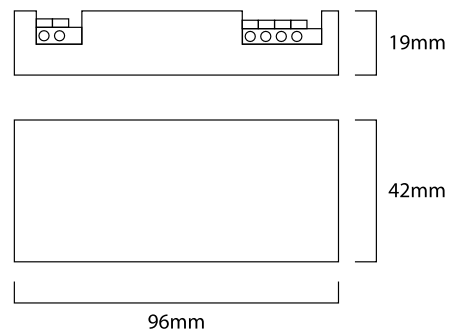
F2



F3



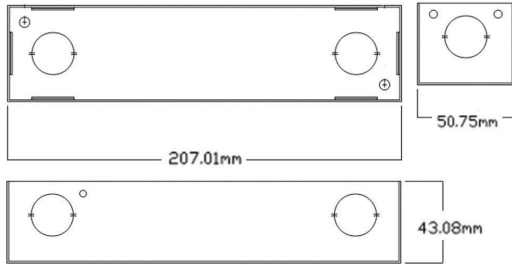
LP2



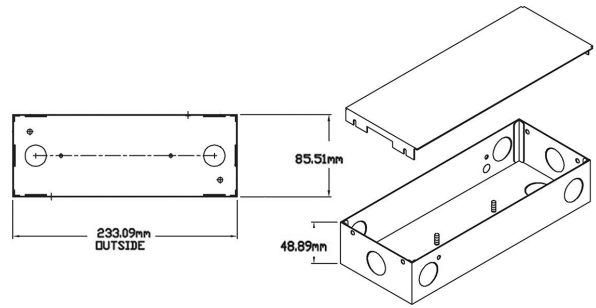


MECHANICAL SPECS. - REMOTE MODELS

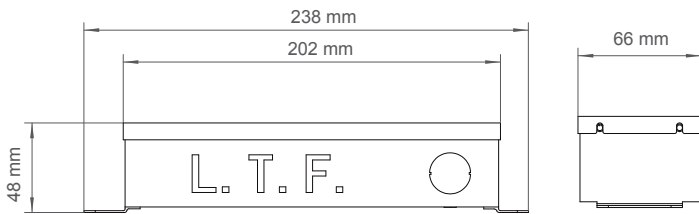
G1



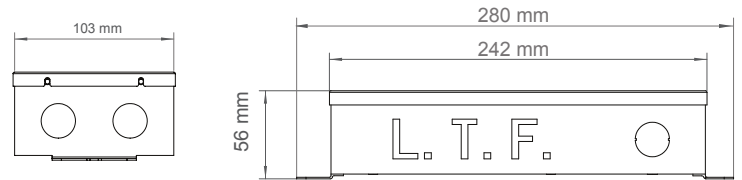
G2



G4



G3





# L.T.F

## Dimmable Low Voltage LED Driver - CLASS 2



### 20W DU20W 220-240V Series Constant Current / Constant Voltage



<b>Efficiency</b>	higher than 85%
<b>Power Factor</b>	>95%
<b>Cast TC*</b>	90°C Max.
<b>Protection</b>	Input / Output
<b>Storage</b>	-30°C / +90°C
<b>Humidity</b>	95% RH Max.
<b>IP Rating</b>	IP 60, 65, 67
<b>Class</b>	Class 2 Power Supply
<b>Dimming</b>	ELV & Phase Dimmable
<b>Optional Dim.</b>	0-10V
<b>Optional Dim.</b>	DALI



Intertek



**RoHS**



FCC Part 15  
Class B compliant



### FEATURES

- Isolated output power per NEC and UL safety requirements
- UL and ETL recognized/ Listed, UL 8750, 1310
- Auto-reset ; Short circuit, Overload and Thermal protection
- Dimmable with ELV and Phase dimming type dimmers
- Aluminum casing for optimal heat dissipation
- Low profile, small form factor, junction box mountable
- Flicker free dimming and excellent dimming range
- Class 2 power supply and other than Class 2 options
- Efficient, high power factor, low THD, FCC compliant

### ELECTRICAL SPECIFICATIONS

Constant Current					
Model #	Input Voltage	Input Current	Output Voltage	Output Current	Available Form Factors
DU20W350	220-240V AC 50/60Hz	0.09 A	57.2 DC	350 mA	C, E, D1, F2, F3, LP2
DU20W420	220-240V AC 50/60Hz	0.09 A	47.7 DC	420 mA	C, E, D1, F2, F3, LP2
DU20W440	220-240V AC 50/60Hz	0.09 A	45.5 DC	440 mA	C, E, D1, F2, F3, LP2
DU20W500	220-240V AC 50/60Hz	0.09 A	40.0 DC	500 mA	C, E, D1, F2, F3, LP2
DU20W550	220-240V AC 50/60Hz	0.09 A	36.4 DC	550 mA	C, E, D1, F2, F3, LP2
DU20W620	220-240V AC 50/60Hz	0.09 A	32.3 DC	620 mA	C, E, D1, F2, F3, LP2
DU20W700	220-240V AC 50/60Hz	0.09 A	28.6 DC	700 mA	C, E, D1, F2, F3, LP2
DU20W750	220-240V AC 50/60Hz	0.09 A	26.7 DC	750 mA	C, E, D1, F2, F3, LP2
DU20W780	220-240V AC 50/60Hz	0.09 A	25.7 DC	780 mA	C, E, D1, F2, F3, LP2
DU20W900	220-240V AC 50/60Hz	0.09 A	22.3 DC	900 mA	C, E, D1, F2, F3, LP2
DU20W950	220-240V AC 50/60Hz	0.09 A	21.1 DC	950 mA	C, E, D1, F2, F3, LP2
DU20W980	220-240V AC 50/60Hz	0.09 A	20.5 DC	980 mA	C, E, D1, F2, F3, LP2
DU20W1000	220-240V AC 50/60Hz	0.09 A	20.0 DC	1000 mA	C, E, D1, F2, F3, LP2
DU20W1050	220-240V AC 50/60Hz	0.09 A	19.1 DC	1050 mA	C, E, D1, F2, F3, LP2

\* Under confirmed thermal condition



Constant Current					
Model #	Input Voltage	Input Current	Output Voltage	Output Current	Available Form Factors
DU20W1100	220-240V AC 50/60Hz	0.09 A	18.2 DC	1100 mA	C, E, D1, F2, F3, LP2
DU20W1130	220-240V AC 50/60Hz	0.09 A	17.7 DC	1130 mA	C, E, D1, F2, F3, LP2
DU20W1200	220-240V AC 50/60Hz	0.09 A	16.7 DC	1200 mA	C, E, D1, F2, F3, LP2
DU20W1250	220-240V AC 50/60Hz	0.09 A	16.0 DC	1250 mA	C, E, D1, F2, F3, LP2

Constant Voltage					
Model #	Input Voltage	Input Current	Output Voltage	Output Current	Available Form Factors
DU20W12V-0000	220-240V AC 50/60Hz	0.09 A	12.0 DC	1700 mA	C, E, D1, F2, F3, LP2
DU20W24V-0000	220-240V AC 50/60Hz	0.09 A	24.0 DC	830 mA	C, E, D1, F2, F3, LP2

Dimming Guide	
Model #	Dimming Code
(L) DU20WXXXX	Standard Dimming
(L) DU20WXXXXD010	0-10V Dimming
(L) DU20WXXXXDALI	DALI Dimming

Remote Enclosure Option	
Model #	Remote Enclosure
LDU20WXXXRE	G1, G2
LDU20WXXXREO	G3, G4

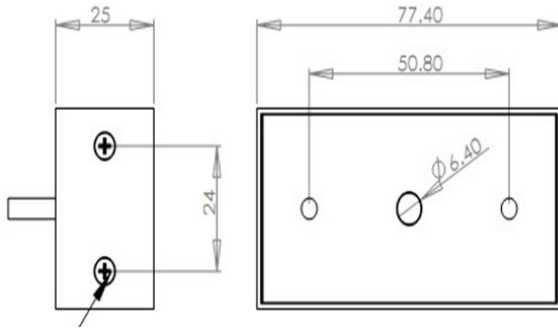
MECHANICAL SPECS.

Available Form Factors	Dimensions
"C"	77.4X X25mm
"D1"	39.5X142mm
"E"	107X44.5X24.5mm
"F2"	132X37X24.5mm
"F3"	71.6X62.6X40mm
"G1"	207X50.8X43mm
"G2"	233.1X85.5X48.9mm
"LP2"	96x19x42mm
"G3"	280X103X56mm
"G4"	238X66X48mm

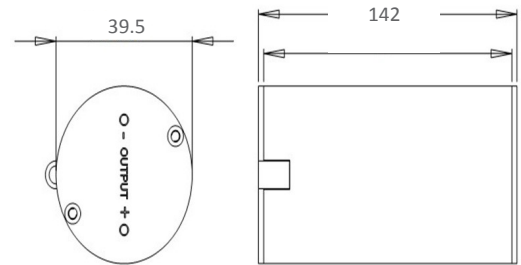


MECHANICAL SPECS.

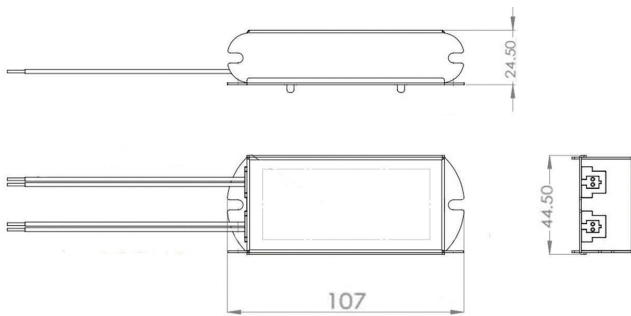
C



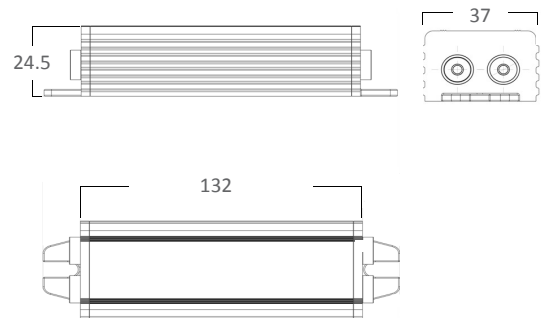
D1



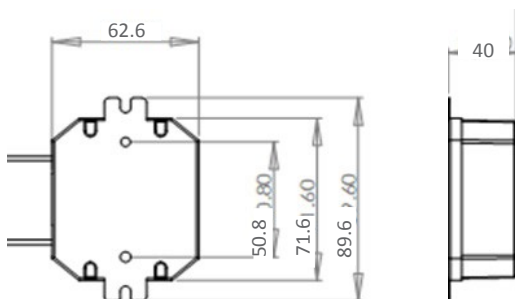
E



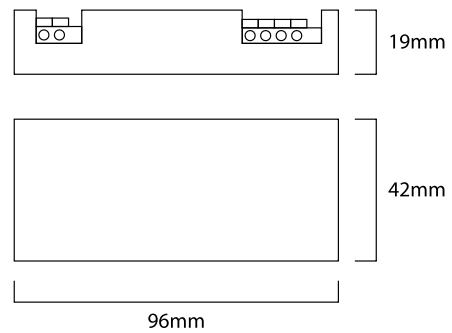
F2



F3



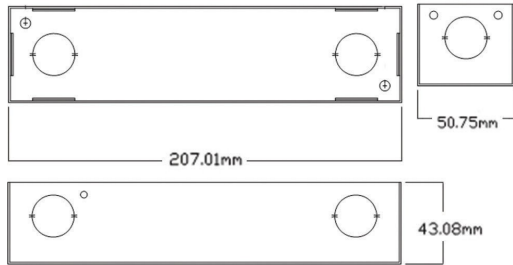
LP2



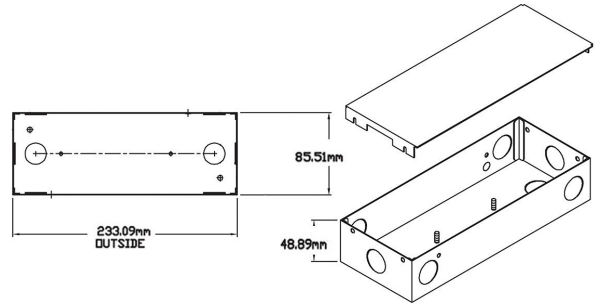


MECHANICAL SPECS. - REMOTE MODELS

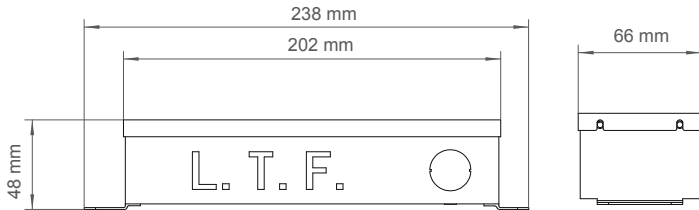
G1



G2



G4



G3

