

DE LED Selectable Commercial Downlights



OVERVIEW

The **DE Selectable LED Commercial Downlight Series** includes 2 light engine options for your choice of performance or cost-saving. This exclusive series is a problem solving lighting solution perfect for a retrofit or new construction project with a wide range of lumen packages, distributions, and a 5 CCT selectable color range at a friendly 90 CRI. Save on SKUs, save on installation, save on mistakes, and find the simple solutions with the **DE downlights**.

FEATURES

HOUSING

Integrated J-box with superior LED light engine can be customized with the 4", 6", 8", or 10" round trim.

AMBIENT TEMPERATURE

Suitable for use in -20°C to 40°C (-4°F to 104°F).

MOUNTING

Recessed mounting to existing housing with screws or friction clips.

LUMEN OUTPUT

DEP - 720 - 3,000 Lm
DEC - 595 - 5,000 Lm

EFFICACY

Up to 96 LM/W

CCT & CRI

Selectable 2700K/3000K/3500K/4000K/5000K CCT - 90 CRI

ELECTRICAL

120V - 277V Standard 0-10V Dimming (5% - 100%). Optional emergency driver available.

WARRANTY

5-year limited warranty. Comprehensive warranty terms can be located on www.slgus.com.

CERTIFICATIONS

Energy Star certified. DEP is ETL Listed. DEC is UL Listed and IC Rated.

DEC ORDERING GUIDE

ORDERING EXAMPLE: DEC LS1 WD G1 9FSK

Luminaire	Lumen Output	Dist	Gen	Voltage	CCT & CRI
DEC Selectable Commercial Downlight	LS1 595 Lm / 7 W 765 Lm / 9 W 1020 Lm / 12 W	WD Fixed Wide Distribution 80°	G1	BLANK 120-277V	9FSK Field selectable CCT 2700K/3000K/3500K /4000K/5000K 90CRI
Contractor Series	LS2 1020 Lm / 12 W 1360 Lm / 16 W 1700 Lm / 20 W				
SMD LED	LS3 1530 Lm / 18 W 2040 Lm / 24 W 2550 Lm / 30 W				
	LS4 3080 Lm / 36 W 4080 Lm / 48 W 5000 Lm / 60 W				

+ TRIM (Ships separate)

Trim Type	Size & Shape	Finish
DT Downlight Trim	4R 4" Round	HW Haze reflector, white flange
	6R 6" Round	
	8R 8" Round	
	10R 10" Round	

OPTIONS

Emergency Backup
EMA-DH09D-UNV-145 9W Emergency Backup

HOUSING (Ships separate)

New Construction
DE 4"/6"/8" Housing New Construction Universal Housing for 4", 6", or 8" trim

DEP ORDERING GUIDE

ORDERING EXAMPLE: DEP LS1 SD G1 9FSK

Luminaire	Lumen Output	Dist	Gen	Voltage	CCT & CRI
DEP Selectable Commercial Downlight	LS1 720 Lm / 9 W 960 Lm / 12 W 1200 Lm / 15 W	SD Selectable Distribution 25° - 35° - 45°	G1	BLANK 120-277V	9FSK Field selectable CCT 2700K/3000K/3500K /4000K/5000K 90CRI
Performance Series	LS2 960 Lm / 12 W 1280 Lm / 16 W 1600 Lm / 20 W				
COB LED	LS3 1520 Lm / 19 W 2000 Lm / 25 W 2580 Lm / 32 W				
	LS4 1920 Lm / 24 W 2560 Lm / 32 W 3000 Lm / 40 W				

+ TRIM (Ships separate)

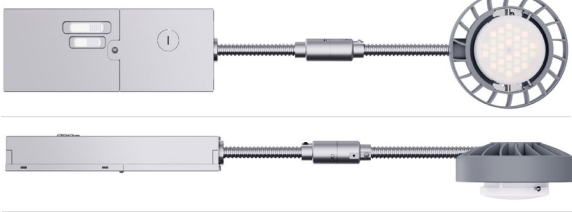
Trim Type	Size & Shape	Finish
DT Downlight Trim	4R 4" Round	HW Haze reflector, white flange
	6R 6" Round	
	8R 8" Round	
	10R 10" Round	

OPTIONS

Emergency Backup
EMA-DH08D-UNV-145 9W Emergency Backup

PRODUCT IMAGES

DEC



The DEC light engines are available in 4 lumen package options the LS1, LS2, LS3, and LS4 - each option features 3 selectable lumen ranges and 5 selectable CCT ranges. The SMD LED head offers a wide distribution 80° angle.

LS1



LS2



LS3 / LS4



DT 4R HW



4" Round - White Trim

DT 6R HW



6" Round - White Trim

DT 8R HW



8" Round - White Trim

DT 10R HW

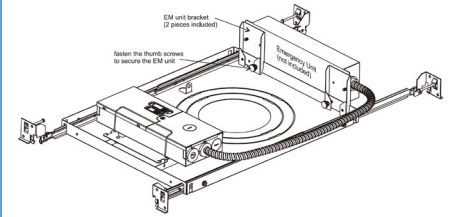


10" Round - White Trim

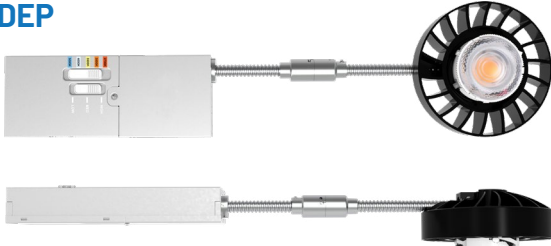
DE 4"/6"/8" Housing



New construction universal housing for 4" / 6" / 8" trim. Featuring brackets for emergency backup.



DEP



The DEP light engines are available in 4 lumen package options the LS1, LS2, LS3, and LS4 - each option features 3 selectable lumen ranges and 5 selectable CCT ranges. The COB LED head offers a twist selectable range of distributions from very narrow (25°), narrow (35°), and wide (45°).

LS1 / LS2



LS3 / LS4



EMA-DH08D-UNV-145



9W emergency backup.

SHIPPING INFORMATION



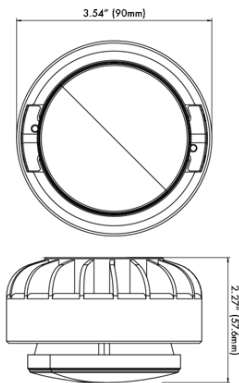
*Box render is for example purposes only.

Product number	Individual box size	Individual box weight	# per carton	Carton box size	Carton box weight
DEC LS1 WD G19FSK	16.25" x 5.35" x 2.6"	2.25 lbs	10	16.81" x 11.42" x 13.58"	24 lbs
DEC LS2 WD G19FSK	16.25" x 5.35" x 2.6"	2.6 lbs	10	16.81" x 11.42" x 13.58"	27 lbs
DEC LS3 WD G19FSK	17.05" x 6.42" x 3"	3.5 lbs	10	17.64" x 13.62" x 15.75"	36.9 lbs
DEC LS4 WD G19FSK	17.05" x 6.42" x 3"	4.1 lbs	10	17.64" x 13.62" x 15.75"	41.9 lbs
DEP LS1 SD G19FSK	16.25" x 5.35" x 2.6"	2.5 lbs	10	16.81" x 11.42" x 13.58"	26.1 lbs
DEP LS2 SD G19FSK	16.25" x 5.35" x 2.6"	2.7 lbs	10	16.81" x 11.42" x 13.58"	28.7 lbs
DEP LS3 SD G19FSK	17.05" x 6.42" x 3"	3.5 lbs	10	17.64" x 13.62" x 15.75"	36.9 lbs
DEP LS4 SD G19FSK	17.05" x 6.42" x 3"	4.1 lbs	10	17.64" x 13.62" x 15.75"	41.9 lbs

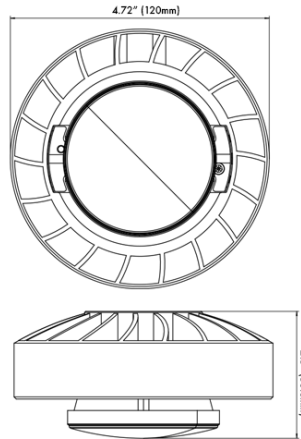
Product number	Individual box size	Individual box weight	# per carton	Carton box size	Carton box weight
DT 4R HW	7" x 3.3" x 6.7"	0.67 lbs	5	17.33" x 7.6" x 7.17"	3.53 lbs
DT 6R HW	19" x 4.4" x 8.8"	0.97 lbs	5	22.64" x 9.6" x 9.25"	5.95 lbs
DT 8R HW	10.87" x 5.4" x 10.63"	1.32 lbs	5	27.6" x 11.5" x 11.1"	7.72 lbs
DT 10R HW	13" x 5.6" x 12.7"	1.81 lbs	5	28.74" x 13.6" x 13.2"	10.14 lbs

PRODUCT DIMENSIONS

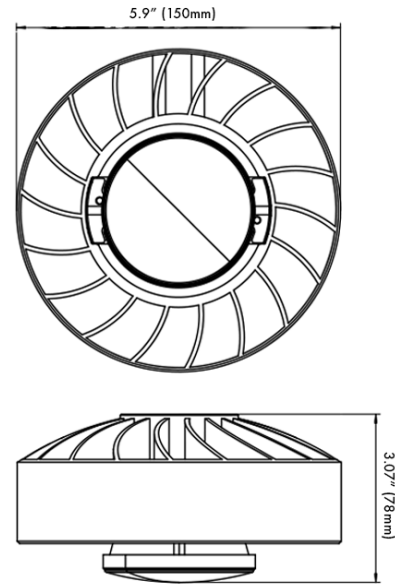
DEC LS1



DEC LS2

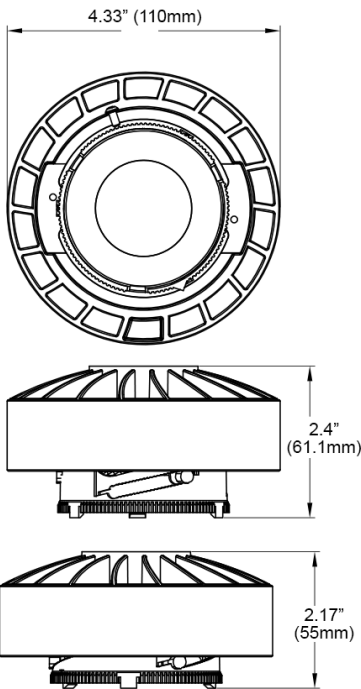


DEC LS3/LS4

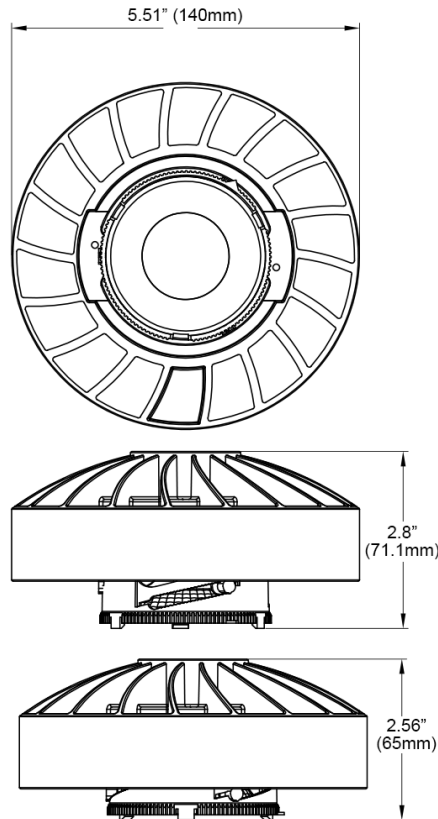


Product Number	Product Weight (lbs)
DEC LS1 WD G1 9FSK	2.05 lbs
DEC LS2 WD G1 9FSK	2.29 lbs
DEC LS3 WD G1 9FSK	3.13 lbs
DEC LS4 WD G1 9FSK	3.57 lbs

DEP LS1/LS2

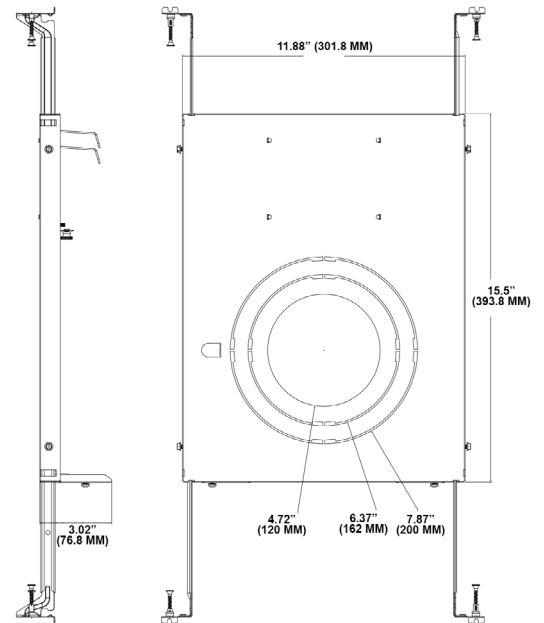


DEP LS3/LS4



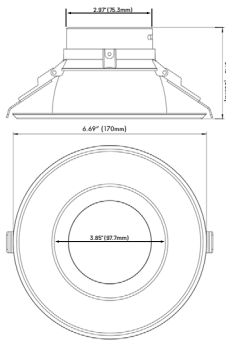
Product Number	Product Weight (lbs)
DEP LS1 WD G1 9FSK	2.22 lbs
DEP LS2 WD G1 9FSK	2.22 lbs
DEP LS3 WD G1 9FSK	3.13 lbs
DEP LS4 WD G1 9FSK	3.57 lbs

NEW CONSTRUCTION HOUSING

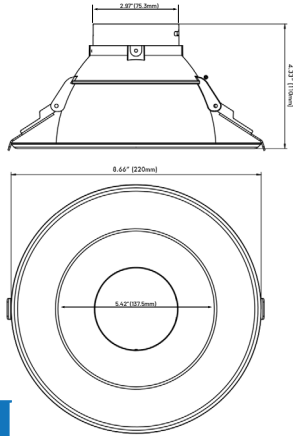


PRODUCT DIMENSIONS

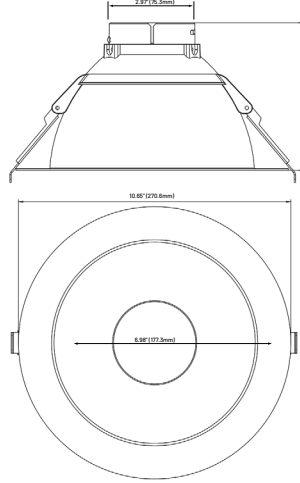
DT 4R HW



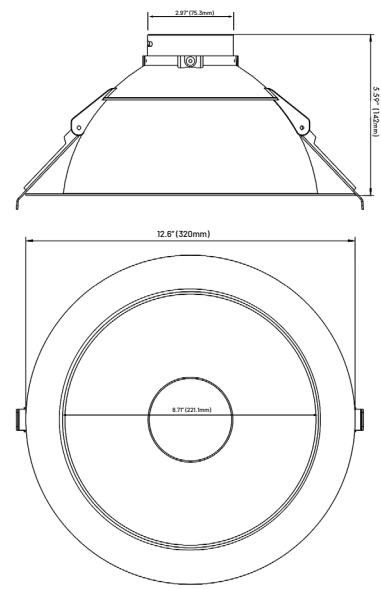
DT 6R HW



DT 8R HW



DT 10R HW



Product Number	Product Weight (lbs)
DT 4R HW	0.55 lbs
DT 6R HW	0.88 lbs
DT 8R HW	1.17 lbs
DT 10R HW	1.63 lbs

ELECTRICAL LOAD

DEC

LUMINAIRE	Wattage	Current (A)			
		120V	208V	240V	277V
DEC LS1 WD G1 9FSK	7W	0.07	0.04	0.04	0.03
	9W	0.09	0.05	0.05	0.04
	12W	0.11	0.07	0.06	0.05
DEC LS2 WD G1 9FSK	12W	0.11	0.07	0.06	0.05
	16W	0.15	0.09	0.08	0.07
	20W	0.19	0.11	0.09	0.08
DEC LS3 WD G1 9FSK	18W	0.17	0.10	0.09	0.07
	24W	0.23	0.14	0.11	0.10
	30W	0.28	0.16	0.15	0.13
DEC LS4 WD G1 9FSK	36W	0.34	0.19	0.17	0.15
	48W	0.45	0.26	0.23	0.19
	60W	0.56	0.33	0.28	0.25

DEP

LUMINAIRE	Wattage	Current (A)			
		120V	208V	240V	277V
DEP LS1 SD G1 9FSK	9W	0.09	0.05	0.05	0.04
	12W	0.11	0.07	0.06	0.05
	15W	0.15	0.08	0.07	0.06
DEP LS2 SD G1 9FSK	12W	0.11	0.07	0.06	0.05
	16W	0.15	0.09	0.08	0.07
	20W	0.19	0.11	0.09	0.08
DEP LS3 SD G1 9FSK	19W	0.18	0.10	0.09	0.08
	25W	0.24	0.13	0.11	0.10
	32W	0.30	0.17	0.15	0.14
DEP LS4 SD G1 9FSK	24W	0.23	0.13	0.11	0.10
	32W	0.30	0.17	0.15	0.14
	40W	0.37	0.22	0.19	0.16

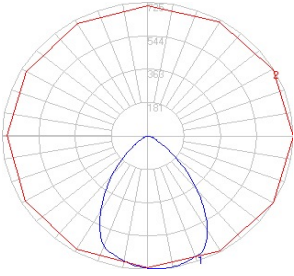
PERFORMANCE DATA

DEC	SELECTABLE WATTAGE	SELECTABLE CCT									
		2700K		3000K		3500K		4000K		5000K	
		LUMENS	EFFICACY	LUMENS	EFFICACY	LUMENS	EFFICACY	LUMENS	EFFICACY	LUMENS	EFFICACY
LS1	7W	638.9	92.2	647.3	93.4	655.6	94.6	663.9	95.8	670.1	96.7
	9W	805.4	90.9	813.3	91.8	820.4	92.6	829.3	93.6	839.9	94.8
	12W	1040.5	88.7	1053.4	89.8	1059.2	90.3	1069.8	91.2	1082.7	92.3
LS2	12W	1094.4	92.9	1102.6	93.6	1109.7	94.2	1126.2	95.6	1110.9	94.3
	16W	1439.3	91.5	1444.0	91.8	1450.3	92.2	1464.5	93.1	1439.3	91.5
	20W	1740.0	89.6	1755.6	90.4	1765.3	90.9	1776.9	91.5	1763.3	90.8
LS3	18W	1578.3	90.6	1588.7	91.2	1593.9	91.5	1604.4	92.1	1595.7	91.6
	24W	2026.2	89.3	2037.6	89.8	2062.5	90.9	2069.3	91.2	2053.4	90.5
	30W	2507.0	88.4	2515.5	88.7	2541.1	89.6	2560.9	90.3	2546.7	89.8
LS4	36W	3137.1	91.3	3164.6	92.1	3181.7	92.6	3216.1	93.6	3260.8	94.9
	48W	4208.9	89.8	4246.4	90.6	4283.9	91.4	4335.5	92.5	4363.6	93.1
	60W	5028.1	88.6	5090.5	89.7	5118.9	90.2	5130.2	90.4	5152.9	90.8

DEP	SELECTABLE WATTAGE	SELECTABLE CCT									
		2700K		3000K		3500K		4000K		5000K	
		LUMENS	EFFICACY	LUMENS	EFFICACY	LUMENS	EFFICACY	LUMENS	EFFICACY	LUMENS	EFFICACY
LS1	9W	785.9	88.2	798.3	89.6	804.6	90.3	812.6	91.2	824.2	92.5
	12W	1021.9	86.9	1033.7	87.9	1040.8	88.5	1038.4	88.3	1038.4	88.3
	15W	1248.8	83.7	1265.2	84.8	1281.6	85.9	1286.1	86.2	1293.6	86.7
LS2	12W	1012.4	86.9	1022.9	87.8	1035.7	88.9	1047.3	89.9	1059.0	90.9
	16W	1340.2	84.5	1360.8	85.8	1383.0	87.2	1403.6	88.5	1416.3	89.3
	20W	1600.8	82.6	1616.3	83.4	1641.5	84.7	1658.9	85.6	1680.2	86.7
LS3	19W	1674.6	89.6	1704.5	91.2	1712.0	91.6	1723.2	92.2	1693.3	90.6
	25W	2161.5	87.3	2211.1	89.3	2201.2	88.9	2211.1	89.3	2186.3	88.3
	32W	2651.4	85.2	2695.0	86.6	2716.8	87.3	2732.3	87.8	2735.4	87.9
LS4	24W	2020.2	88.8	2036.1	89.5	2065.7	90.8	2088.5	91.8	2065.7	90.8
	32W	2573.6	85.9	2630.5	87.8	2642.5	88.2	2663.4	88.9	2642.5	88.2
	40W	3199.9	83.7	3241.9	84.8	3299.2	86.3	3333.7	87.2	3348.9	87.6

PHOTOMETRIC

DEC LS1 WD G1 9FSK DT 4R - Wide 80° - 2700K Selected - 4" Trim



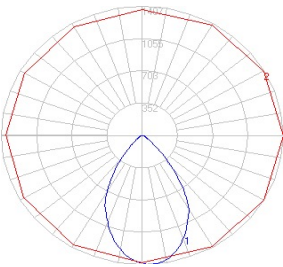
Lumens: 1105.2 Lm Power: 11.7341 W
 Efficacy: 94 Lm/W CRI: 90
 Spacing Criteria: 1.06 Beam Angle: 80 degree

CANDLEPOWER DISTRIBUTION			
ANGLE	AVERAGE (CD)	ANGLE	AVERAGE (CD)
10	723.26	60	62.78
20	699.89	70	23.81
30	604.25	80	6.44
40	395.63	90	0
50	188.24		

INITIAL FOOTCANDLES		
HEIGHT (FT)	MAX FC	DIAMETER (FT)
4	44.95	20
6	19.98	23
8	11.24	28
10	7.19	32

ZONAL LUMEN STRATEGY		
ZONE	LUMENS	% FIXT
0-30	543.54	49.2
0-40	810.34	73.3
0-60	1060.37	95.9
0-90	1104.43	99.9

DEC LS2 WD G1 9FSK DT 6R - Wide 80° - 2700K Selected - 6" Trim



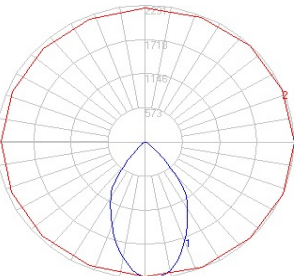
Lumens: 1555.3 Lm Power: 19.2989 W
 Efficacy: 81 Lm/W CRI: 90
 Spacing Criteria: 1.06 Beam Angle: 80 degree

CANDLEPOWER DISTRIBUTION			
ANGLE	AVERAGE (CD)	ANGLE	AVERAGE (CD)
10	1375.66	60	50.1
20	1198.12	70	24.79
30	935.92	80	9.29
40	499.96	90	0
50	145.16		

INITIAL FOOTCANDLES		
HEIGHT (FT)	MAX FC	DIAMETER (FT)
4	87.03	20
6	38.68	23
8	21.76	26
10	13.92	30

ZONAL LUMEN STRATEGY		
ZONE	LUMENS	% FIXT
0-30	910.02	58.5
0-40	1279.29	82.3
0-60	1507.2	96.9
0-90	1554.09	99.9

DEC LS3 WD G1 9FSK DT 8R - Wide 80° - 2700K Selected - 8" Trim



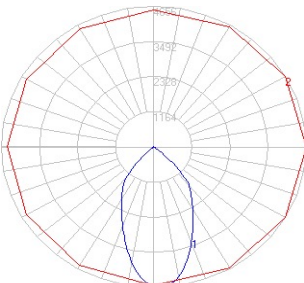
Lumens: 2284.5 Lm Power: 28.6024 W
 Efficacy: 80 Lm/W CRI: 90
 Spacing Criteria: .94 Beam Angle: 80 degree

CANDLEPOWER DISTRIBUTION			
ANGLE	AVERAGE (CD)	ANGLE	AVERAGE (CD)
10	2185.17	60	52.05
20	1768.19	70	26.45
30	1294.73	80	10.34
40	757.7	90	0
50	160.7		

INITIAL FOOTCANDLES		
HEIGHT (FT)	MAX FC	DIAMETER (FT)
4	141.82	20
6	63.03	23
8	35.46	26
10	22.69	30

ZONAL LUMEN STRATEGY		
ZONE	LUMENS	% FIXT
0-30	1362.8	59.7
0-40	1933.46	84.6
0-60	2231.62	97.7
0-90	2282.63	99.9

DEC LS4 WD G1 9FSK DT 10R - Wide 80° - 2700K Selected - 10" Trim



Lumens: 4548.2 Lm Power: 56.9446 W
 Efficacy: 80 Lm/W CRI: 90
 Spacing Criteria: .88 Beam Angle: 80 degree

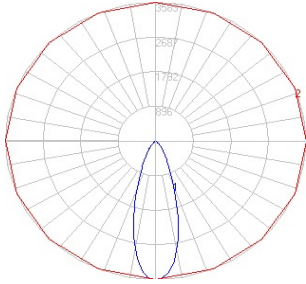
CANDLEPOWER DISTRIBUTION			
ANGLE	AVERAGE (CD)	ANGLE	AVERAGE (CD)
10	4375.6	60	46.05
20	3363.99	70	22.85
30	2381.92	80	9.34
40	1691.48	90	0
50	423.2		

INITIAL FOOTCANDLES		
HEIGHT (FT)	MAX FC	DIAMETER (FT)
4	287.7	20
6	127.87	23
8	71.93	26
10	46.03	30

ZONAL LUMEN STRATEGY		
ZONE	LUMENS	% FIXT
0-30	2603.29	57.2
0-40	3737.2	82.2
0-60	4488.94	98.7
0-90	4544.14	99.9

PHOTOMETRIC

DEP LS1 SD G1 9FSK DT 4R - Narrow 35° - 2700K Selected - 4" Trim



Lumens: 1478.3 Lm Power: 15.2861 W
 Efficacy: 94 Lm/W CRI: 90
 Spacing Criteria: .56 Beam Angle: 35 degree

CANDLEPOWER DISTRIBUTION

ANGLE	AVERAGE (CD)	ANGLE	AVERAGE (CD)
10	2873.74	60	16.26
20	1247.7	70	8.09
30	445.95	80	2.78
40	172.6	90	0
50	35.74		

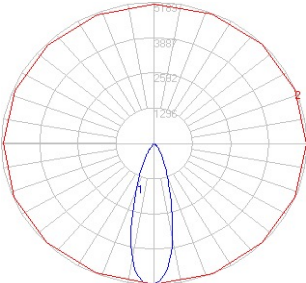
INITIAL FOOTCANDLES

HEIGHT (FT)	MAX FC	DIAMETER (FT)
4	223.94	16
6	99.53	18
8	55.98	22
10	35.83	24

ZONAL LUMEN STRATEGY

ZONE	LUMENS	%FIXT
0-30	1193.73	80.8
0-40	1396.46	92.6
0-60	1461.58	98.9
0-90	1478.25	100

DEP LS2 SD G1 9FSK DT 6R - Narrow 35° - 2700K Selected - 6" Trim



Lumens: 1831.4 Lm Power: 19.4765 W
 Efficacy: 91 Lm/W CRI: 90
 Spacing Criteria: .52 Beam Angle: 35 degree

CANDLEPOWER DISTRIBUTION

ANGLE	AVERAGE (CD)	ANGLE	AVERAGE (CD)
10	4000.74	60	6.22
20	1612.76	70	2.85
30	581.18	80	1.02
40	147.74	90	0
50	15.92		

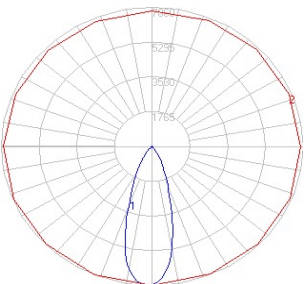
INITIAL FOOTCANDLES

HEIGHT (FT)	MAX FC	DIAMETER (FT)
4	322.43	12
6	143.3	16
8	80.61	20
10	51.59	24

ZONAL LUMEN STRATEGY

ZONE	LUMENS	%FIXT
0-30	1565.77	85.5
0-40	1770.21	96.7
0-60	1822.77	99.5
0-90	1831.37	100

DEP LS3 SD G1 9FSK DT 8R - Narrow 35° - 2700K Selected - 8" Trim



Lumens: 3051.8 Lm Power: 33.0162 W
 Efficacy: 90 Lm/W CRI: 90
 Spacing Criteria: .58 Beam Angle: 35 degree

CANDLEPOWER DISTRIBUTION

ANGLE	AVERAGE (CD)	ANGLE	AVERAGE (CD)
10	5631.74	60	19.75
20	2894.85	70	10.35
30	1273.29	80	5.05
40	595.33	90	1.1
50	62.81		

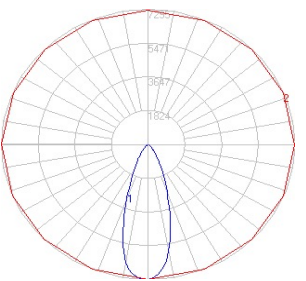
INITIAL FOOTCANDLES

HEIGHT (FT)	MAX FC	DIAMETER (FT)
4	439.1	14
6	195.16	18
8	109.78	19
10	70.26	24

ZONAL LUMEN STRATEGY

ZONE	LUMENS	%FIXT
0-30	2532.32	83
0-40	2896.79	94.9
0-60	3034.91	99.4
0-90	3051.71	100

DEP LS4 SD G1 9FSK DT 10R - Narrow 35° - 2700K Selected - 10" Trim



Lumens: 3462 Lm Power: 39.6774 W
 Efficacy: 85 Lm/W CRI: 90
 Spacing Criteria: .6 Beam Angle: 35 degree

CANDLEPOWER DISTRIBUTION

ANGLE	AVERAGE (CD)	ANGLE	AVERAGE (CD)
10	5891.83	60	8.36
20	3162.21	70	4.35
30	1328.64	80	1.74
40	534.77	90	0
50	25.63		

INITIAL FOOTCANDLES

HEIGHT (FT)	MAX FC	DIAMETER (FT)
4	455.11	14
6	202.27	16
8	113.78	20
10	72.82	26

ZONAL LUMEN STRATEGY

ZONE	LUMENS	%FIXT
0-30	2781.7	80.3
0-40	3271.33	94.5
0-60	3449.92	99.7
0-90	3462.02	100