

DEP G3 - Commercial Downlight Series



PERFORMANCE XP



(Images are shown for illustration purposes only)

Project:
Product #:
Type:

KEY FEATURES

- Power and CCT selectable commercial downlight.
- Adjustable beam angle 38° to 75° depending on model.
- 5 year warranty.
- 90 CRI.
- Universal dimming driver (0-10V, TRIAC, & ELV).



SPECIFICATIONS

Housing

Integrated J-box with superior LED light engine can be customized with round and square trim.

Ambient Temperature

-20° C to 40° C (-4° F to 104° F).

Beam Angle

Adjustable: **LS15:** 38° - 75°
LS32/LS50: 40°-75°.

Mounting

Retrofit or New Construction Housing.

Efficacy

Up to 100 lumens per watt.

CCT and CRI

2700K, 3000K, 3500K, 4000K, 5000K - 90 CRI

Lifespan

L70 > 50,000 hours @ 25°C.

Dimming

Universal Dimming Driver (0-10V, TRIAC/ELV, 10-100%)(LS15/LS32). 0-10V, 10-100% (LS50 only).

Warranty

5-year limited warranty. Comprehensive warranty terms can be located on www.slgus.com.

Electrical

Standard voltage 120-277V.

Certifications

ETL listed, Energy Star certified, suitable for wet locations (non conductive trim).

IC Rating

Suitable for direct contact with insulation. Type IC inherently protected, suitable for direct contact to air permeable insulation and cULus listed damp locations. Not for use in direct contact with spray foam insulation, consult NEMA LSD57-2013. The DEP LS15 SD G3 is IC rated, all other models are not.

ORDERING GUIDE

Example: **DEP LS15 SD G3 9FSK**

Fixture Type	Selectable Lumen Output	Beam Angle	Generation	Voltage	CCT	Dimming
• DEP LED Commercial Downlight	• LS15 800 Lm / 8 W 1,100 Lm / 11 W 1,500 Lm / 18 W	• SD Adjustable Beam Angle - 38° - 75°	• G3 Third Generation	• BLANK 120-277V	• 9FSK 2700K 3000K 3500K 4000K 5000K - CRI 90	• BLANK Universal Dimming Driver (0-10V, TRIAC/ELV, 10-100%)
	• LS32 2,000 Lm / 20 W 2,500 Lm / 25 W 3,200 Lm / 36 W	• SD Adjustable Beam Angle - 40° - 75°				
	• LS50 3,500 Lm / 35 W 4,500 Lm / 45 W 5,000 Lm / 56 W					• BLANK* Standard Dimming (0-10V, 10-100%)

*DEP LS50 model 0-10V dimming only - all other models are 0-10V, TRIAC, and ELV.

For stocking opportunities please reach out to your local SLG Lighting rep or contact sales@slgus.com.

Leadtimes may vary based on current inventory levels - always consult your local SLG Lighting rep for leadtimes and project needs.

ACCESSORIES

Emergency Backup	Trim	Goof Ring	Housing
• EMA-DH08D-UNV-170 Emergency Battery Backup, 8W, 100-277V AC Input, 170V DC output, for 0-10V Dimming Fixture	• DT 4R G2 HW Downlight Round Trim - 4" • DT 6R G2 HW Downlight Round Trim - 6" • DT 8R G2 HW Downlight Round Trim - 8" • DT 10R G2 HW Downlight Round Trim - 10" • DT 4S G2 HW Downlight Square Trim - 4" • DT 6S G2 HW Downlight Square Trim - 6" • DT 8S G2 HW Downlight Square Trim - 8"	• DT GR 4R W Downlight Goof Ring - 4" • DT GR 6R W Downlight Goof Ring - 6" • DT GR 8R W Downlight Goof Ring - 8" • DT GR 10R W Downlight Goof Ring - 10"	• DX- UNV-HOUSING New Construction Univesal Housing compatible with 3"/4"/6"/8"/10" Round Downlight. • DE 4/6/8S HOUSING New Construction Univesal Housing compatible with 4"/6"/8" Square Downlight.

Accessories shown are generally stocked items, for additional accessories questions and options please contact your local SLG Lighting rep or email sales@slgus.com. Options for spec needs available through special request - please contact sales@slgus.com with spec needs and project size.

Due to continuous product improvements, specification and/or equipment updates may change without notice.

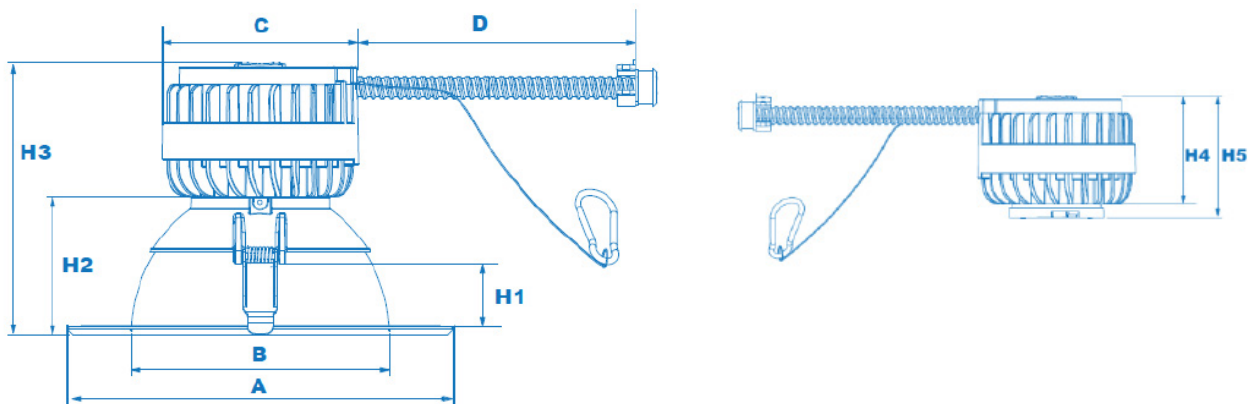
PERFORMANCE INFORMATION

Series Number	Power Setting	Wattage	Lumens	CCT
DEP LS15 SD G3 9FSK	Max	18 W	1,500 Lm	2700K 3000K 3500K 4000K 5000K - 90 CRI
	Medium	11 W	1,100 Lm	
	Low	8 W	800 Lm	
DEP LS32 SD G3 9FSK	Max	36 W	3,200 Lm	
	Medium	25 W	2,500 Lm	
	Low	20 W	2,000 Lm	
DEP LS50 SD G3 9FSK	Max	56 W	5,000 Lm	
	Medium	45 W	4,200 Lm	
	Low	35 W	3,500 Lm	

Performance data based on vigorous, industry standard testing and has been verified by lab results.

DIMENSIONS

DEP G3 - Commercial Downlight Series - With Round Trim

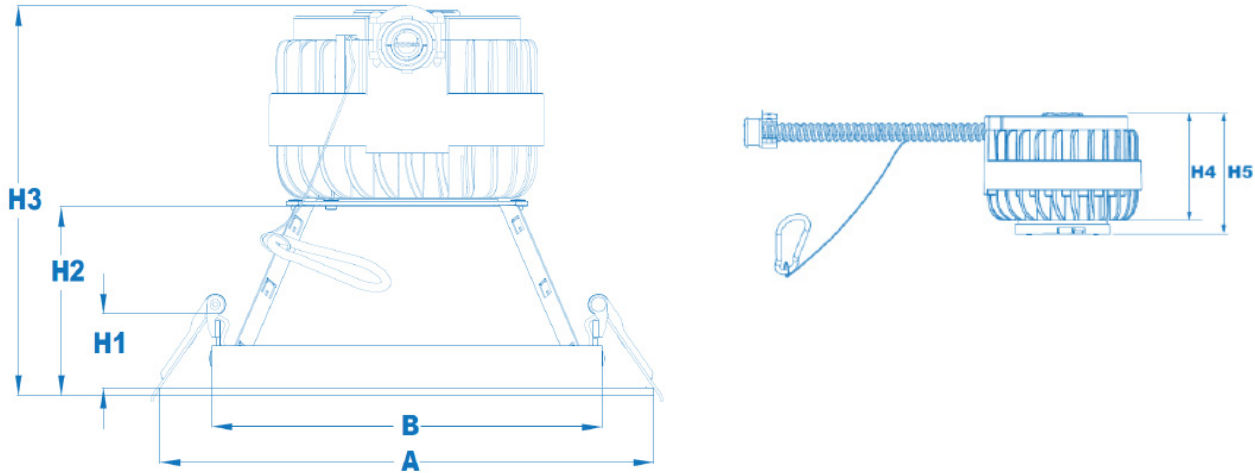


Light Module	LS15/LS32 Module				LS50 Module		
Reflector	4"	6"	8"	10"	6"	8"	10"
A (Overall Trim Diameter)	6"	7.5"	9.1"	10.66"	7.5"	9.1"	10.66"
B (Aperture Diameter)	4.15"	5.65"	7.25"	8.66"	5.65"	7.25"	8.66"
C (Overall Module)	4.35"				5.55"		
D (Flexible Conduit/Whip)	26"						
H1 (Ceiling Thickness)	1.2"						
H2 (Regress Height)	2.56"	3.03"	3.83"	4.31"	3.03"	3.83"	4.31"
H3	5.39"	5.89"	6.69"	7.20"	5.89"	6.69"	7.20"
H4	2.85"						
H5 (Height Model)	3.25"						
Cut-Out	4.8-5.5"	6.3 - 7.0"	7.9 - 8.7"	8.7 - 10"	6.3 - 7.0"	7.9 - 8.7"	8.7 - 10"

Due to continuous product improvements, specification and/or equipment updates may change without notice.

DIMENSIONS

DEP G3 - Commercial Downlight Series - With Square Trim

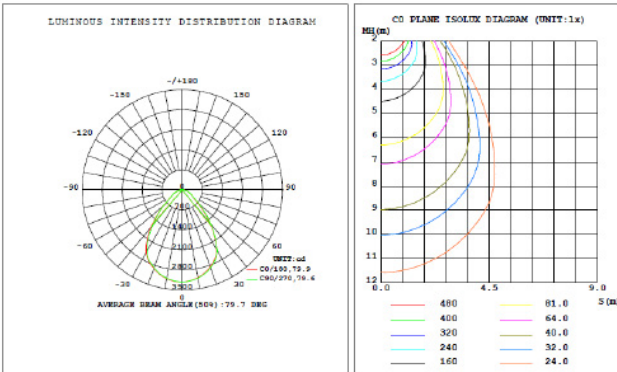


Light Module	LS15/LS32 Module			LS50 Module	
	4"	6"	8"	6"	8"
Reflector					
A (Overall Trim Diameter)	5.9"	7.7"	9.4"	7.7"	9.4"
B (Aperture Diameter)	3.58"	5.43"	7.95"	5.43"	7.95"
D (Flexible Conduit/Whip)	26"				
H1 (Ceiling Thickness)	1"				
H2 (Regress Height)	3"	3.03"	3.83"	3.03"	3.83"
H3	6.02"	6.06"	6.85"	6.06"	6.85"
H4	2.85"				
H5 (Height Model)	3.25"				
Cut-Out	4.8-5.3"	6.5 - 7.3"	8.5 - 8.9"	6.5 - 7.3"	8.5 - 8.9"

SHIPPING INFORMATION

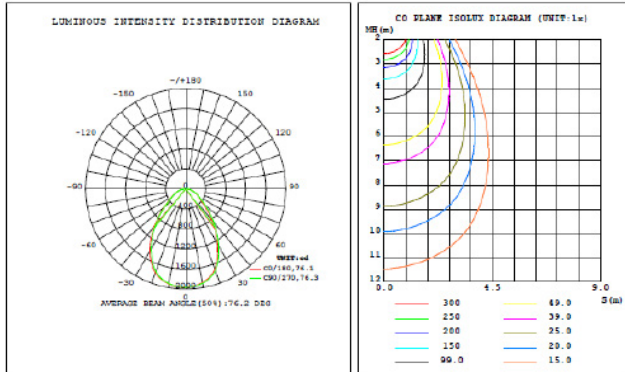
DEP G3 - LS50 @ 56W, 6" Trim, 5000K CCT

DATA OF LAMP			PHOTOMETRIC DATA			EFF: 101.92 lm/W
MODEL			Imax (cd)	3215	S/MI (C0/180)	1.17
NOMINAL POWER (W)	56	LCR (%)	100.0	S/MI (C90/270)	1.15	
RATED VOLTAGE (V)	120	TOTAL FLUX (lm)	5649.9	η UP, DN (C0-180)	0.0, 49.2	
NOMINAL FLUX (lm)	5649.93	CIE CLASS	DIRECT	η UP, DN (C180-360)	0.0, 22.8	
LAMPS INSIDE	1	η up (%)	0.0	CIBSE SHR NOM	1.00	
TEST VOLTAGE (V)	120	η down (%)	100.0	CIBSE SHR MAX	1.15	



DEP G3 - LS32 @ 36W, 4" Trim, 5000K CCT

DATA OF LAMP			PHOTOMETRIC DATA			EFF: 96.94 lm/W
MODEL			Imax (cd)	1567	S/MI (C0/180)	1.12
NOMINAL POWER (W)	36	LCR (%)	100.0	S/MI (C90/270)	1.09	
RATED VOLTAGE (V)	120	TOTAL FLUX (lm)	3428.2	η UP, DN (C0-180)	0.0, 48.5	
NOMINAL FLUX (lm)	3428.22	CIE CLASS	DIRECT	η UP, DN (C180-360)	0.0, 21.4	
LAMPS INSIDE	1	η up (%)	0.0	CIBSE SHR NOM	1.00	
TEST VOLTAGE (V)	120	η down (%)	100.0	CIBSE SHR MAX	1.15	



Due to continuous product improvements, specification and/or equipment updates may change without notice.

SHIPPING INFORMATION

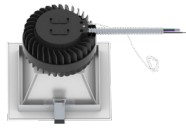
Product number	Individual box size	Master Carton	QTY Per Carton
DEP LS15 SD G3 9FSK	8.54 IN x 7.95 IN x 4.96 IN	16.61 IN X 9.06 IN X 15.94 IN	6
DEP LS32 SD G3 9FSK	8.54 IN x 7.95 IN x 4.96 IN	16.61 IN X 9.06 IN X 15.94 IN	6
DEP LS50 SD G3 9FSK	8.74 IN x 9.13IN x 4.96 IN	18.19 IN X 9.65 IN X 15.94 IN	6

Fixtures ship 1 per box and specific dimensions may change without notice due to improvements.

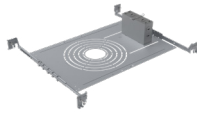
ACCESSORIES OVERVIEW



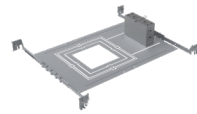
DT 4/6/8/10R G2 HW
Downlight Trim for 4", 6", 8" and 10" Round Downlights.



DT 4/6/8S G2 HW
Downlight Trim for 4", 6", and 8" Square Downlights.



DX-UNV-HOUSING
New Construction Universal Housing for 4", 6", 8" and 10" Round Downlights.



DE 4/6/8S HOUSING
New Construction Universal Housing for 4", 6", and 8" square Downlights.



DT GR 4/6/8/10 W
Downlight Goof Ring for 4, 6, 8 and 10 inch round fixtures.

Due to continuous product improvements, specification and/or equipment updates may change without notice.