

DL110W 12, 24V SERIES

Constant Current Driver



Efficiency	>80%
Power Factor	>0.95
Case TC	90°C Max.
Protection	Input / Output
Storage	-30°C / +90°C
Humidity	95% RH Max.
IP Rating	IP65
Class	Class 2 Power Supply
Dimming	ELV, TRIAC, 0-10V



RoHS



FEATURES

- Extremely small low voltage LED driver
- High performance fully dimmable
- Excellent choice to integrate in low voltage LED fixtures
- Isolated output power per NEC & UL safety requirements
- ETL recognized/ Listed, meets UL 8750, 1310 requirements
- Auto-reset; Short circuit, Overload and thermal protection
- Rated for 12V-24V magnetic and electronic transformers
- Dimmable and ELV, and magnetic LV type dimmers
- Aluminum casing for optimal heat dissipation
- Low profile, small form factor, junction box mountable
- Flicker free dimming
- Class 2 power supply
- Efficient, high power factor

MODEL SPECIFICATIONS

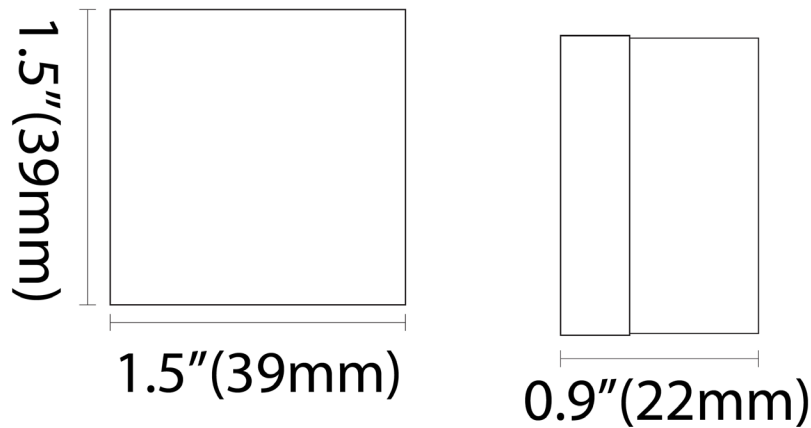
12V CONSTANT CURRENT						
Model Number	Input Voltage	Input Current	Output Voltage	Output Current	Power Factor	Available Form Factor
DL110W320C	12V AC/DC 0-35KHz	0.83 A	18-31V DC	320 mA	0.80	AB, A9
DL110W350C	12V AC/DC 0-35KHz	0.83 A	18-28V DC	350 mA	0.80	AB, A9
DL110W480C	12V AC/DC 0-35KHz	0.83 A	10-20V DC	480 mA	0.80	AB, A9
DL110W520C	12V AC/DC 0-35KHz	0.83 A	10-19V DC	520 mA	0.80	AB, A9
DL110W580C	12V AC/DC 0-35KHz	0.83 A	10-17V DC	580 mA	0.80	AB, A9
DL110W600C	12V AC/DC 0-35KHz	0.83 A	10-16V DC	600 mA	0.80	AB, A9
DL110W680C	12V AC/DC 0-35KHz	0.83 A	10-15V DC	680 mA	0.80	AB, A9
DL110W700C	12V AC/DC 0-35KHz	0.83 A	10-14V DC	700 mA	0.80	AB, A9
DL110W780C	12V AC/DC 0-35KHz	0.83 A	05-13V DC	780 mA	0.80	AB, A9
DL110W850C	12V AC/DC 0-35KHz	0.83 A	05-11V DC	850 mA	0.80	AB, A9
DL110W1000C	12V AC/DC 0-35KHz	0.83 A	05-10V DC	1000 mA	0.80	AB, A9
DL112W320C	12V AC/DC 0-35KHz	1.0 A	20-38V DC	320mA	0.80	AB, A9

24V CONSTANT CURRENT						
Model Number	Input Voltage	Input Current	Output Voltage	Output Current	Power Factor	Available Form Factor
DL210W320C	24V AC/DC 0-35KHz	0.42 A	18-31V DC	320 mA	0.80	AB, A9
DL210W350C	24V AC/DC 0-35KHz	0.42 A	18-28V DC	350 mA	0.80	AB, A9
DL210W480C	24V AC/DC 0-35KHz	0.42 A	10-20V DC	480 mA	0.80	AB, A9
DL210W520C	24V AC/DC 0-35KHz	0.42 A	10-19V DC	520 mA	0.80	AB, A9
DL210W580C	24V AC/DC 0-35KHz	0.42 A	10-17V DC	580 mA	0.80	AB, A9
DL210W600C	24V AC/DC 0-35KHz	0.42 A	10-16V DC	600 mA	0.80	AB, A9
DL210W680C	24V AC/DC 0-35KHz	0.42 A	10-15V DC	680 mA	0.80	AB, A9
DL210W700C	24V AC/DC 0-35KHz	0.42 A	10-14V DC	700 mA	0.80	AB, A9
DL210W780C	24V AC/DC 0-35KHz	0.42 A	05-13V DC	780 mA	0.80	AB, A9
DL210W850C	24V AC/DC 0-35KHz	0.42 A	05-11V DC	850 mA	0.80	AB, A9
DL210W1000C	24V AC/DC 0-35KHz	0.42 A	05-10V DC	1000 mA	0.80	AB, A9

MECHANICAL SPECS

FORM FACTOR	DIMENSIONS
A8	1.5”(39.2mm) x 1.5”(39.2mm) x 0.9”(21.6mm)
A9	1.3”(32mm) x 0.8”(21mm) x 0.9”(24mm)

A8



A9

