

# Indoor Modular Driver



## GED22MCV2P500P

Description: Modular Class2 PSU

Input Voltage: 120V-277V  $\pm$ 10%

Input Frequency: 50/60Hz

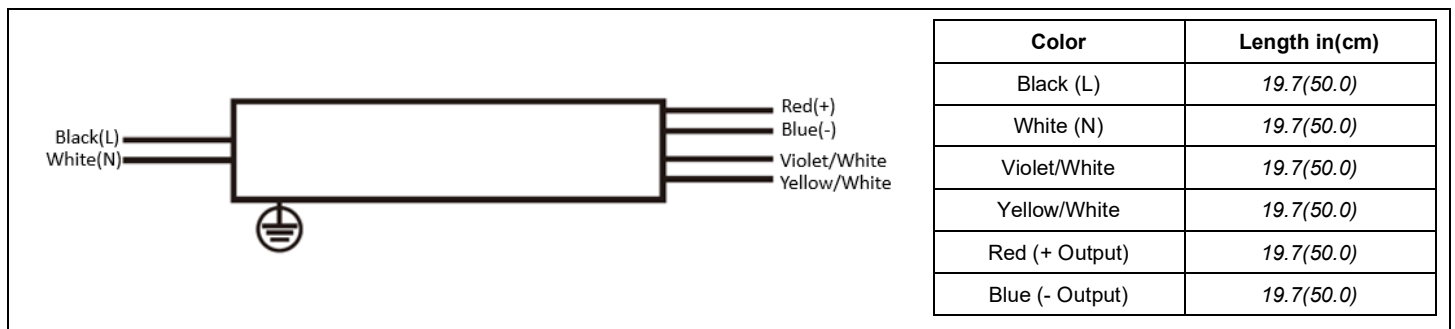
Power BUS: voltage 22.5Vdc max; current 100mA max

Surge protection: 2KV/1KA

Ring wave: 3KV/100A

ROHS Compliant: Yes

Control	Max Output Power (W)	Output Current (mA)	Output Voltage (V)	Efficiency Full load @277V	Max Input Current@120Vin (A)	Max THD @Output	Min PF @Output	Max Inrush Current (A/mS)	Surge Protection	Isolated Dimming	Weight (lbs/kg)	IP Rating
									Ring Wave	Dimming Range @full load		
0-10V	22	150-500	30-52	84%	0.22	20% ( $\geq$ 6.5W output)	>0.9 ( $\geq$ 6.5W output)	See Page below	2KV/1KA 3KV/100A	100%-1%	1.43 / 0.65	IP54



## Product Features

### Physical

- Unit must be installed within an electrical enclosure.
- Input wiring must be rated to 600V & 105°C or higher.
- Output wiring must be rated to 300V & 105°C or higher.

### Performance

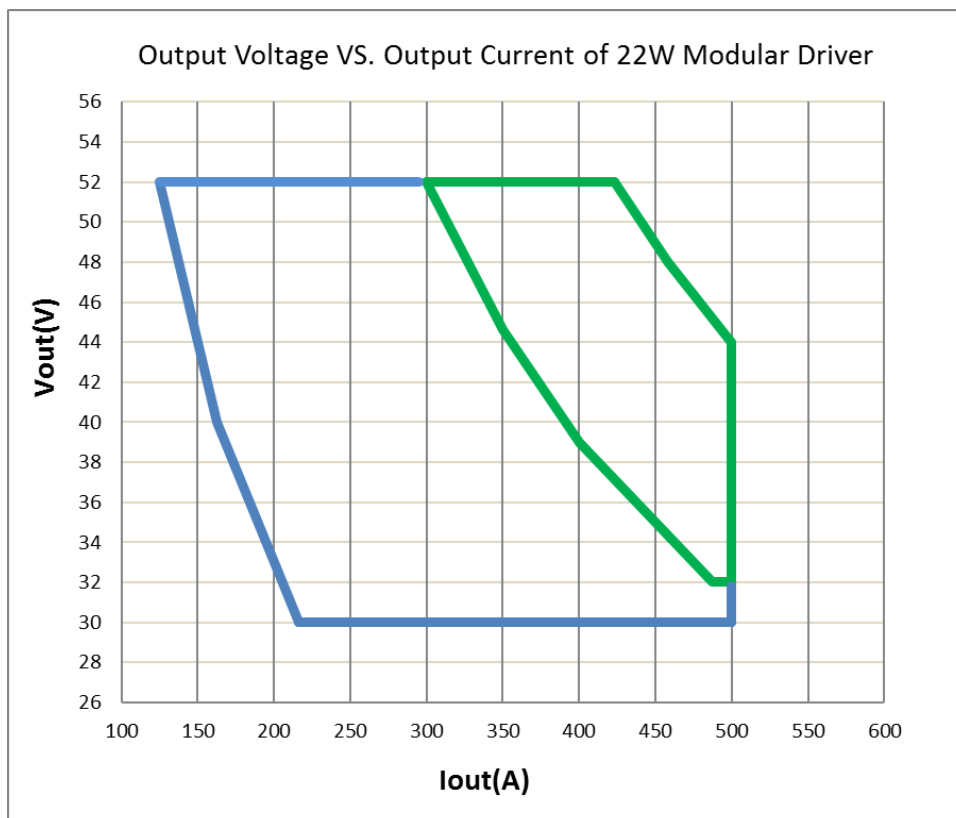
- The unit is classified as UL Class 2 as stipulated in UL8750.
- The unit is classified as Class P as stipulated in UL8750.
- Output and dimming interface are classified as Class 2 as stipulated in UL1310.
- Minimum ambient operating temperature: -30°C.
- Maximum allowable case temperature: 85°C.
- For reliability and failure rate information, contact GE Current Technical Sales Representative
- The unit is UL certified for operation in dry/damp locations.
- The unit is tolerant of extended open circuit and short circuit conditions.
- The unit is compliant to FCC Title 47 Part 15 Class A.
- The unit is resistant to surges as Per IEC61000-4-5 (2kV/1KA).

### UL Conditions of Acceptability - E340135

- The unit has been examined to comply with Class 2 Output Criteria.
- The unit is only to be used in dry or damp locations.
- The metal casing must be connected to EARTH.

## Technical Information

### 22W: GED22MCV2P500P

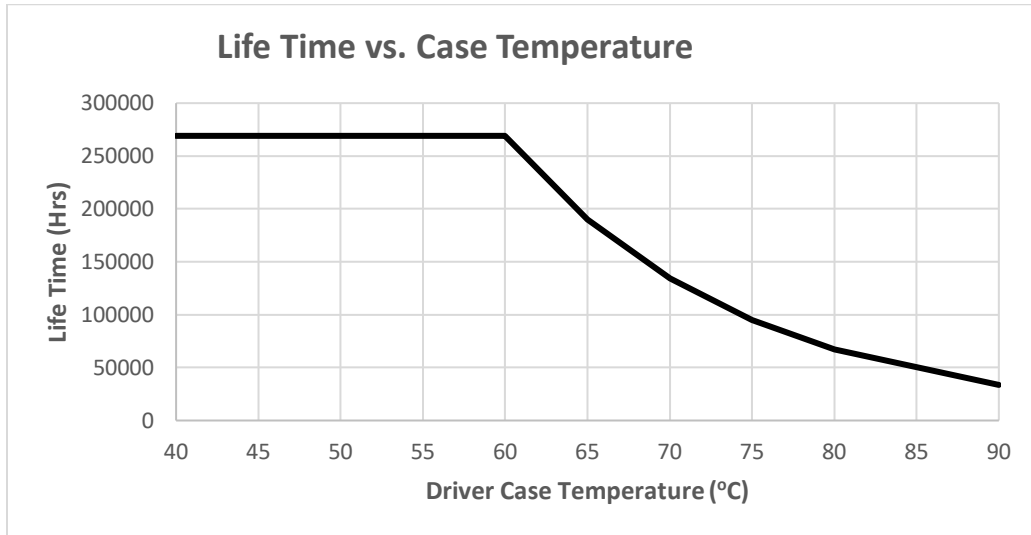


**Green:** Operation Window (PF>0.9, THD<20%, 1% dimming depth)

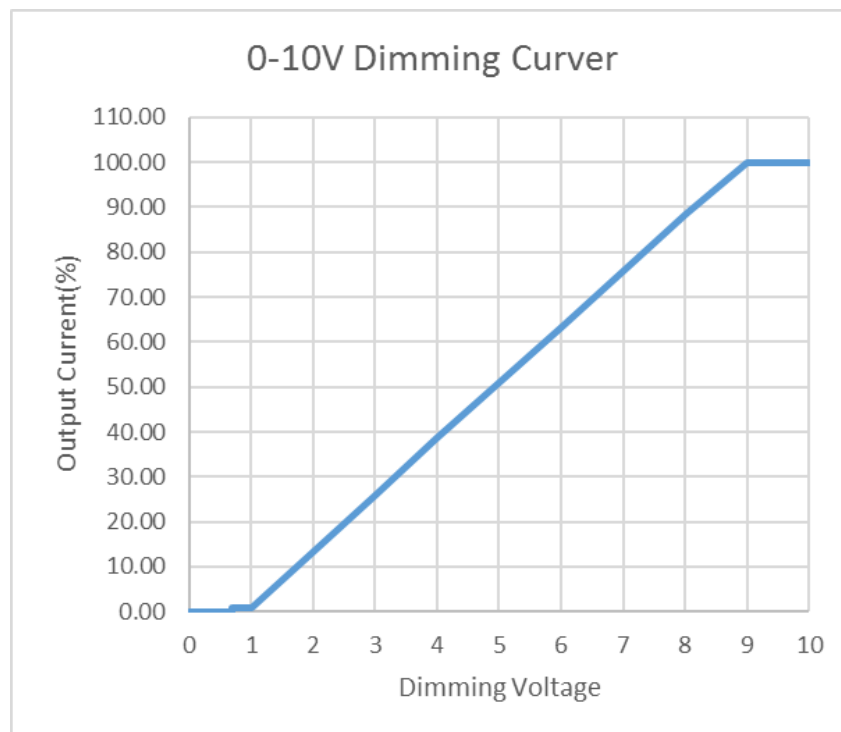
**Blue:** Driver can work within this window, but not ensure 1% dimming depth

Note:

- The operation window is tested at room temperature-25degC.
- Vout window(30V-52V) refers to the whole temperature range and all operating condition.  $V_{out} \geq 30V$  at dimming condition and  $V_{out} \leq 52V$  even at  $-30^{\circ}C$ .
- In any condition, LED load voltage should not less than 32V to achieve 1% dimming depth.

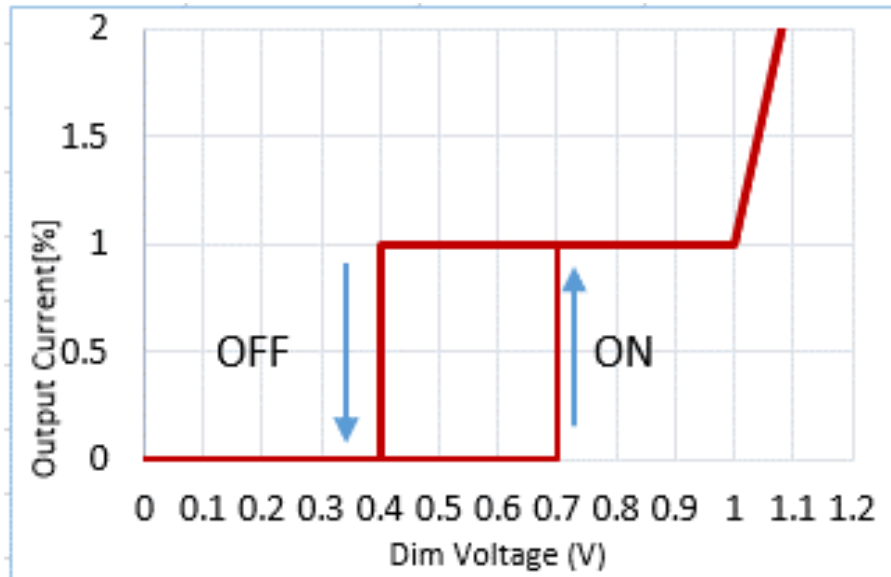


### 0-10V DIMMING: GED22MCV2P500P

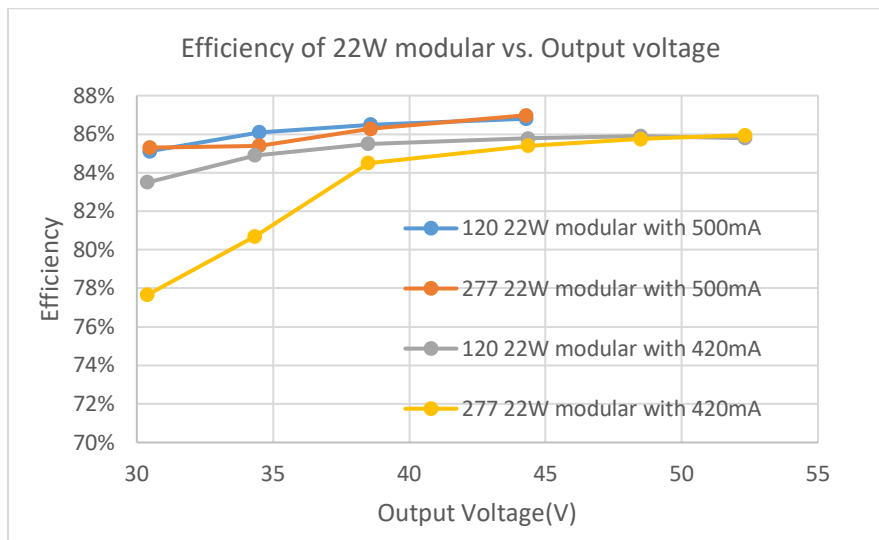
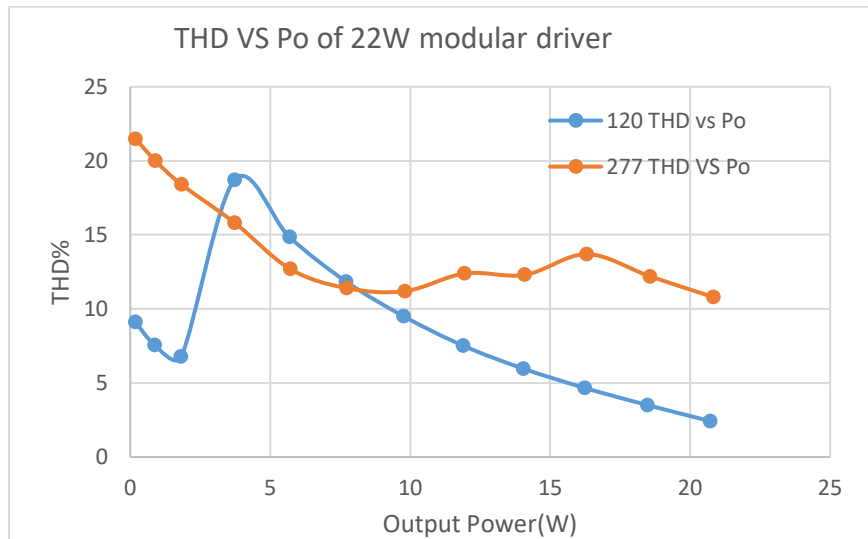
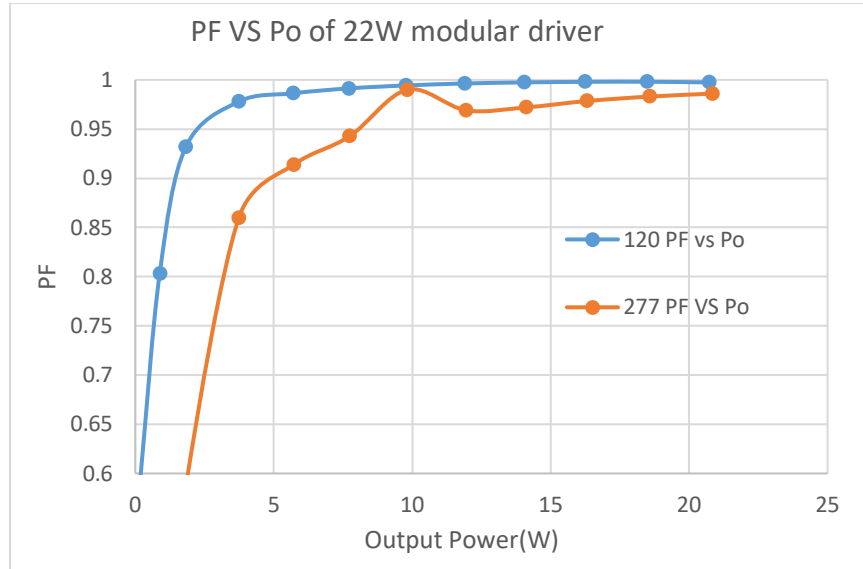


## Dim-to-Off Function

Symbol	Parameter	Min	Typical	Max	Unit
Von	Turn on threshold	0.60	0.7	0.8	V
Voff	Turn off threshold	0.3	0.40	0.5	V
Ton	Turn on time	-	-	250	ms
Toff	Turn off time	-	-	1000	ms



## 22W modular driver: GED22MCV2P500P



# Inrush current

Input Inrush Current		
Input Voltage	Peak Current Pulse	Pulse Duration (50% of Peak)
Vrms	(A)	(uS)
120	21.4A	242.20
277	51.4A	240.30

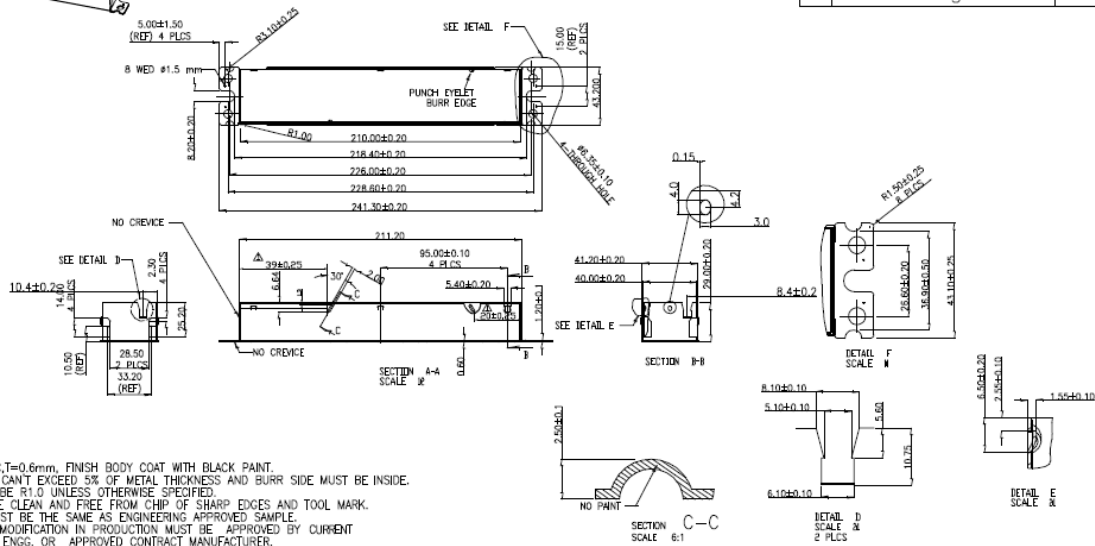
# Input Ground Leakage Current

Input Voltage Vrms (V)	Leakage Current (uA)
120	290
277	680

# Mechanical dimensions



REVISIONS		
REV	DESCRIPTION	DATE
1	Create new spec	2018/10/10
1.1	Size of grounding wire changed	2019/8/19



NOTES:

1. MATERIAL-SPCC,T=0.6mm. FINISH BODY COAT WITH BLACK PAINT.
2. BURR HEIGHT CANT EXCEED 5% OF METAL THICKNESS AND BURR SIDE MUST BE INSIDE.
3. ALL RADII TO BE R1.0 UNLESS OTHERWISE SPECIFIED.
4. PART MUST BE CLEAN AND FREE FROM CHIP OF SHARP EDGES AND TOOL MARK.
5. PRODUCTS MUST BE THE SAME AS ENGINEERING APPROVED SAMPLE.
6. ANY TOOLING MODIFICATION IN PRODUCTION MUST BE APPROVED BY CURRENT ELECTRONICS ENGG. OR APPROVED CONTRACT MANUFACTURER.
7. ARTICLE OR MATERIAL MUST CONFORM TO RoHS PROCEDURE S1900000 SEC.13
8. PART MUST CONFORM TO S1900000 SECTION 4 TOXICITY PROCEDURE

# Product Label

GED22MCV2P500P

8 inch

**UltraMax™ Programmable LED Driver**  
GED22MCV2P500P  
SAP:93126648  
PC:19397

**INPUT**  
Voltage: 120-277 VAC 50/60 Hz ±2 per UL  
Current: 0.22 Amps per UL  
PF>0.9

**OUTPUT**  
30-52VDC  
500mA Max Output  
200uA

**Class 2 Power Supply**

Red (+)  
Blue (-)  
Yellow (Neutral)  
Green (Ground)

**120-277V**

120-277V  
0-10V Dimming LED Driver  
Min. Load Temp: -30°C  
Top: 45°C Max  
Class 2  
FCC Part 15 Non-Consumer  
CAN/CSA C22.2 (MELB-0004)  
High Power Factor  
Sound Rating A  
For Connections Use Wire Rated for  
60 Levels (90°C/194°F)  
Install and Ground per National  
Electric Code  
For City or Camp Locations

Made in China, Designed & Distributed  
by Current Lighting Solutions, LLC.  
Napa Park, Cleveland, Ohio 44122

Date:  
Firmware:

**UL US**  
**LISTED**  
LED DRIVER  
E340135

For assistance call:  
**1-888-MYGELED**

REV 1

**WARNING! ADVERTISMENT!**  
Risk of electrical shock. Disconnect power before servicing or handling product.  
Replace the used batteries. Contact Technical services in charge for correct procedure to proceed.

1.5 inch

4 inch

3 inch

GED22MCV2P500P  
SAP:93126648  
PC:19397  
LED Driver, 22W, MultiVolt input, 500mA  
Programmable, 0-10V dimming  
North America  
Country of Origin: China  
Voltage: 120-277V

Date  
Firmware

**UL US**  
**LISTED**  
LED DRIVER  
E340135

UltraMax™  
Programmable  
LED Driver

**QTY: 10**

19397

REV 1