

DS15W 120-277V SERIES

Constant Current / Constant Voltage



Efficiency	>85%
Power Factor	>0.95
Case TC	90°C Max.
Protection	Input / Output
Storage	-30°C / +90°C
Humidity	95% RH Max.
IP Rating	IP67
Class	Class 2 Power Supply
Dimming	Phase or 0-10V
Output Current or Constant Voltage	300mA -350mA or 48V DC



- Universal Input 120 - 277V AC 50/60Hz
- Exceeds Title 24 requirements
- Isolated output power per NEC and UL safety requirements
- UL & ETL recognized/listed, meets UL 8750, 1310 requirements
- Auto-reset; short circuit, overload and thermal

FEATURES

- protection
- Class 2 power supply
- Efficient, High power factor >0.95
- Aluminum case with high W/m.K encapsulating material
- Low profile, small form factor

MODEL KEY

Model Number Key - Constant Current

(L)	DS	96W	2800C	1834	BR1	UD	(REO)	-3002
UL Listed (Option)	Input Voltage DS = 120-277VAC DA = 120VAC DE = 277VAC DU = 220-240VAC	Wattage	2800mA Constant Current	18V-34V DC Output Voltage Range	Case Form Factor	UniDriver Series Tri-Mode Dimmable	Remote Enclosure RE = Indoor REO = Outdoor (Option)	Manufacturer Code

Model Number Key - Constant Voltage

(L)	DS	96W	24V	BR1	UD	(REO)	-3002
UL Listed (Option)	Input Voltage DS = 120-277VAC DA = 120VAC DE = 277VAC DU = 220-240VAC	Wattage	24V DC Constant Voltage	Case Form Factor	UniDriver Series Tri-Mode Dimmable	Remote Enclosure RE = Indoor REO = Outdoor (Option)	Manufacturer Code

MODEL SPECIFICATIONS

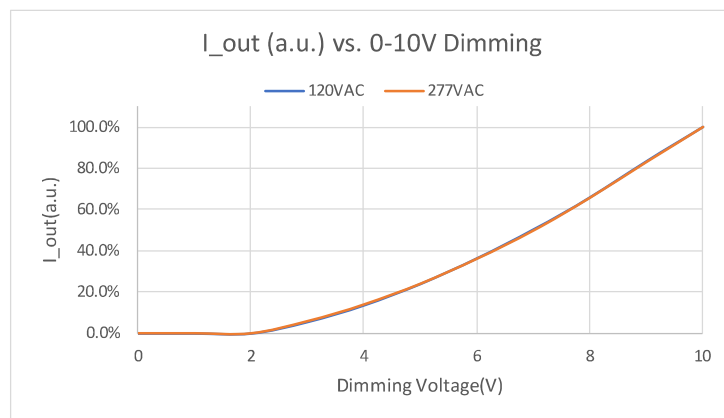
CONSTANT CURRENT

Model Number	Input Voltage	Wattage	Output Voltage	Output Current	Available Form Factor	Dimming
DS15W300C2850D010-3001	120-277V AC 50/60Hz	15W	28V - 50V DC	300mA	T11	0-10V
DS15W350C1542D010-3001		15W	15V - 42V DC	350mA	T11	0-10V

CONSTANT VOLTAGE

Model Number	Input Voltage	Wattage	Output Voltage	Output Current	Dimming	Available Form Factor
DS15W48VND-3001	120-277V AC 50/60Hz	15W	48V DC	320mA	Non Dimmable	T11
DS15W48VD010-3001		15W	48V DC	320mA	0-10V Dimmable	T11
DS15W48V-3001		15W	48V DC	320mA	Triac Dimmable	T11

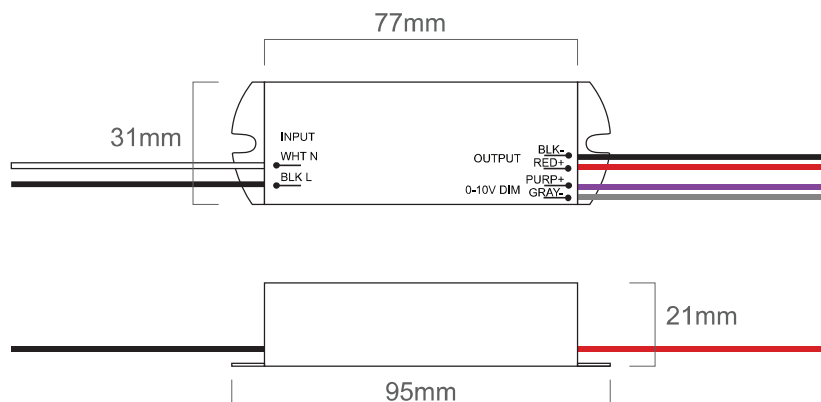
DIMMING CURVES



MECHANICAL SPECS

FORM FACTOR	DIMENSIONS
T11	95 (77) x 31 x 21mm

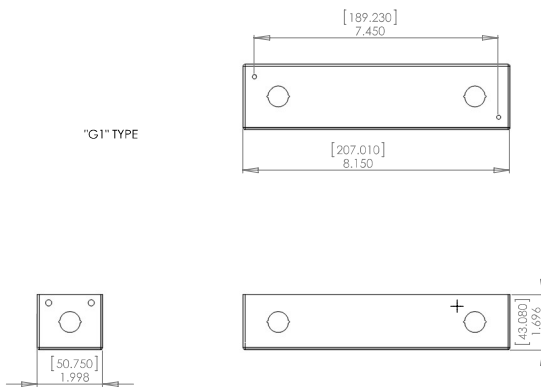
T11



REMOTE ENCLOSURE OPTIONS

MODEL	FORM FACTOR	DIMENSIONS
DS15W48VNDRE-0020	G1 (Damp Rated)	207 x 51 x 43mm
DS15W48VNDREO-0020	G4 (Wet Rated)	238 x 66 x 48mm

G1



G4

