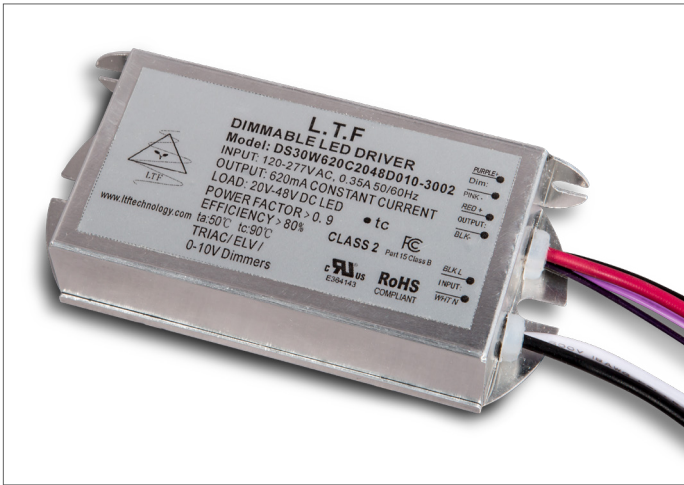


**30W DS30W-3002/-0000 100-305V Series**  
Constant Current, Constant Voltage

**UNIDRIVER**



Efficiency	>85%
Power Factor	>95%
Case TC	90°C Max
Protection	Input / Output
Storage	-30°C / +90°C
Humidity	95% RH Max.
IP Rating	IP 67
Class	Class 2 Power Supply
Dimming	Triac / ELV / 0-10V
Output Current or Output Voltage	500mA - 2100mA or 12V - 24V



- All-In-One dimming capabilities; Triac, ELV, and 0-10V dimming
- Universal input voltage; 100-305V AC
- Isolated output power per NEC and UL safety requirements
- UL recognized/Listed, UL8750, UL1310
- Auto-reset; Short circuit, Overload and Thermal protection
- Superior thermal performance

**FEATURES**

- Aluminum case high W/m.K encapsulating material
- Low profile, small form factor, junction box mountable
- <30% flicker with excellent dimming range
- Class 2 power supply and other than Class 2 options
- Efficient, high power factor, low THD, FCC Class B

Constant Current				
Model Number	Input Voltage	Output Voltage	Output Current	Available Form Factor
DS30W500C3260UD-3002/-0000	100-305V AC 50/60 Hz >0.90 PF < 20% THD	32V - 60VDC	500mA	BF2, SM2, LI2, F3
DS30W550C3058UD-3002/-0000		30V - 58VDC	550mA	BF2, SM2, LI2, F3
DS30W600C3050UD-3002/-0000		30V - 50VDC	600mA	BF2, SM2, LI2, F3
DS30W620C2048UD-3002/-0000		20V - 48VDC	620mA	SM3
DS30W700C2542UD-3002/-0000		25V - 42VDC	700mA	BF2, SM2, LI2, F3
DS30W750C2540UD-3002/-0000		25V - 40VDC	750mA	BF2, SM2, LI2, F3
DS30W830C2036UD-3002/-0000		20V - 36VDC	830mA	BF2, SM2, LI2, F3
DS30W900C2034UD-3002/-0000		20V - 34VDC	900mA	BF2, SM2, LI2, F3

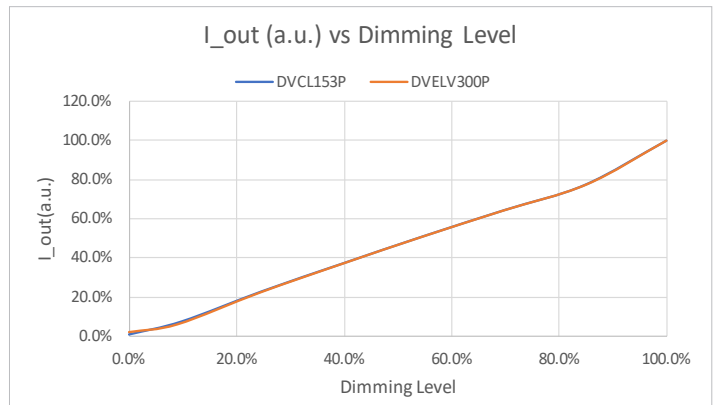
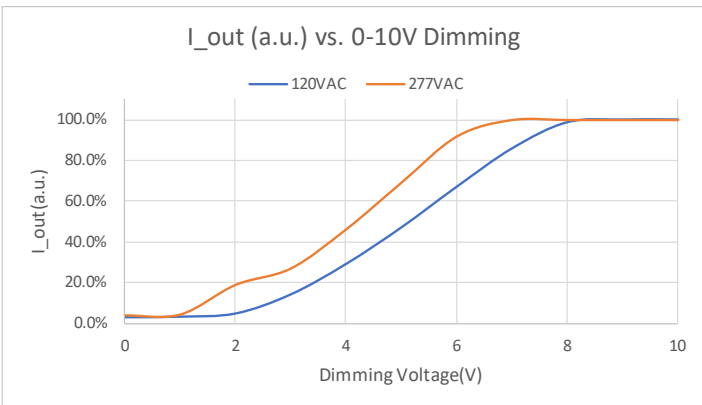
**Constant Current**

Model Number	Input Voltage	Output Voltage	Output Current	Available Form Factor
DS30W1000C2030UD-3002/-0000	100-305V AC 50/60 Hz >0.90 PF < 20% THD	20V - 30VDC	1000mA	BF2, SM2, LI2, F3
DS30W1100C2027UD-3002/-0000		20V - 27VDC	1100mA	BF2, SM2, LI2, F3
DS30W1400C1521UD-3002/-0000		15V - 21VDC	1400mA	BF2, SM2, LI2, F3
DS30W2100C914UD-3002/-0000		9V - 14VDC	2100mA	BF2, SM2, LI2, F3

**Constant Voltage**

Model Number	Input Voltage	Output Voltage	Output Current	Available Form Factor
DS30W12VULD-3002/-0000	100-305V AC 50/60 Hz >0.90 PF < 20% THD	12VDC	2500mA	BF2, SM2, LI2, F3
DS30W24VULD-3002/-0000		24VDC	1250mA	BF2, SM2, LI2, F3

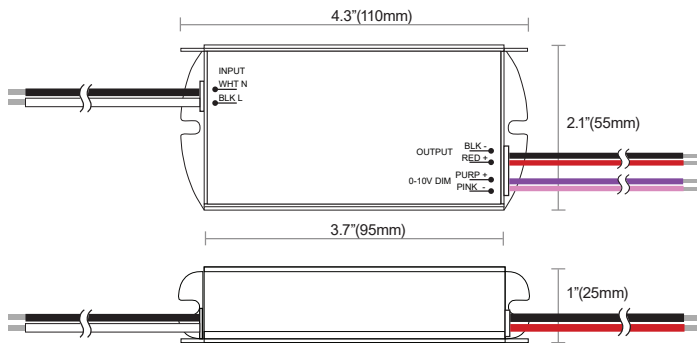
**DIMMING CURVES**



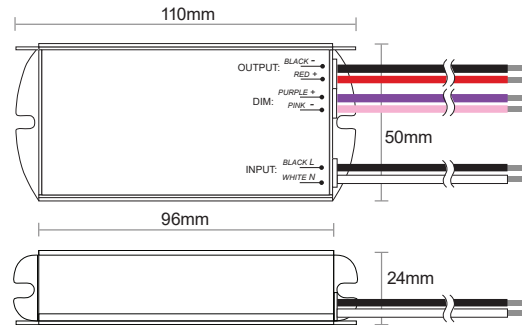
## MECHANICAL SPECIFICATIONS

FORM FACTORS	DIMENSIONS
SM2	110 X 55 X 25mm
SM3	110 x 50 x 24mm
F3	71.6 x 62.6 x 30mm
LI2	148 x 40 x 22mm
BF2	95.3 x 25.4 x 44.5mm
BF21	95.3 x 25.4 x 44.5mm ( no studs)

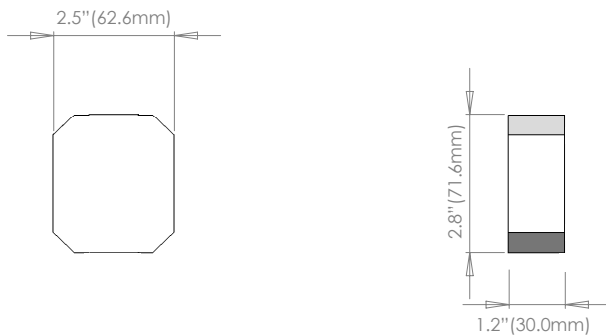
### SM2



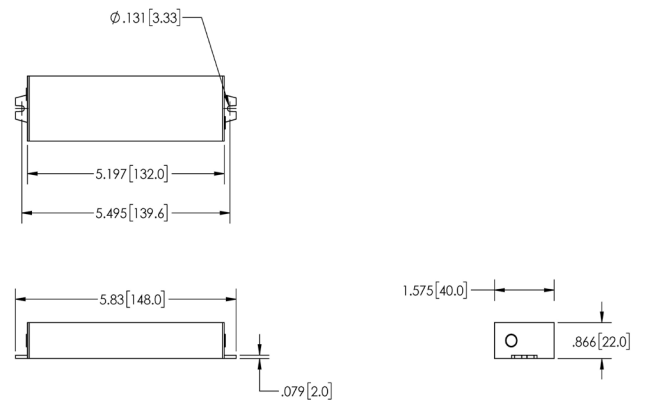
### SM3



### F3

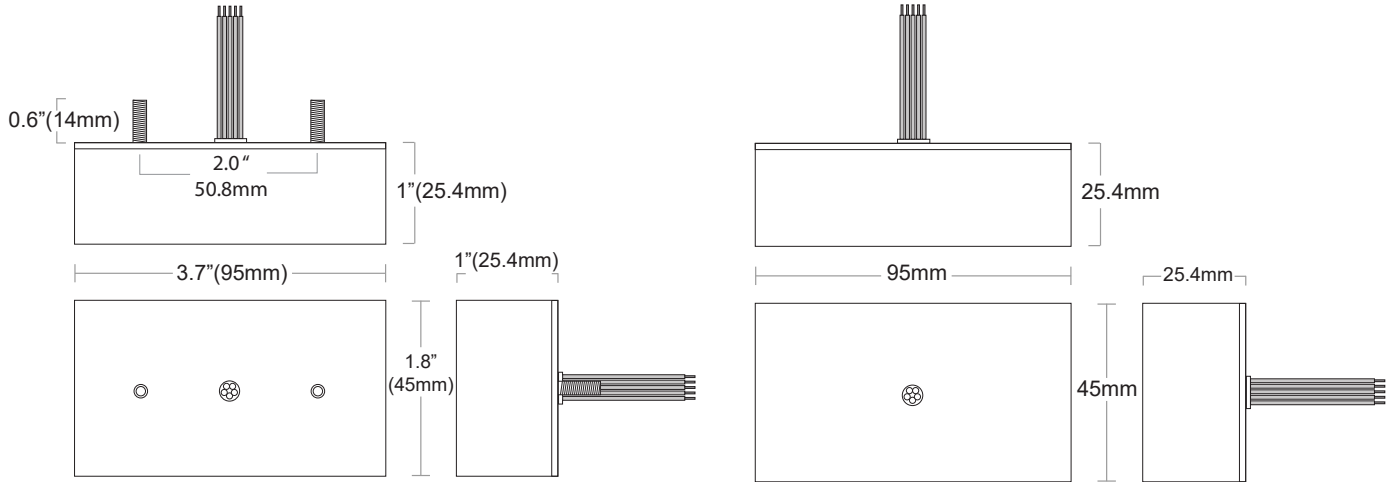


### LI2



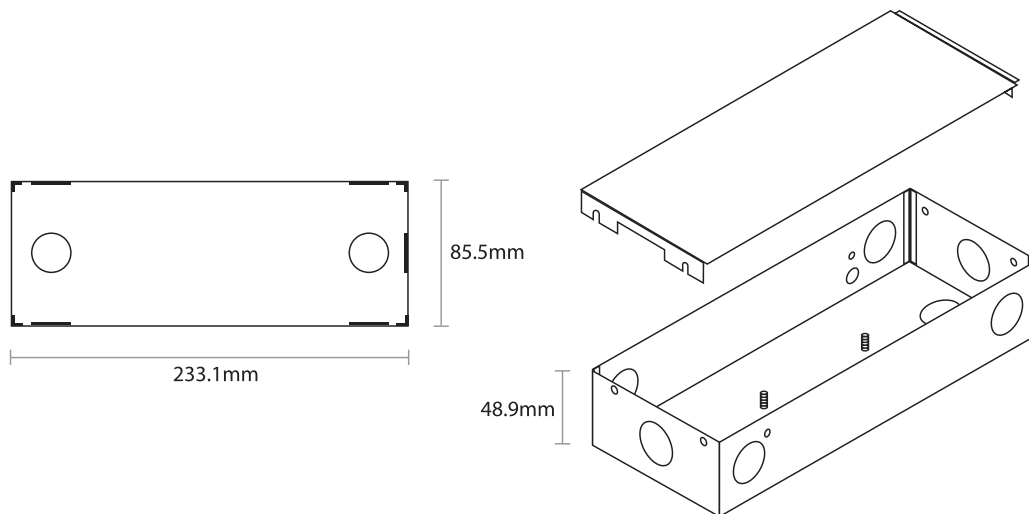
**BF2**

**BF21**



MODEL NUMBER	REMOTE ENCLOSURE
LDS30WXXXRE-3002/-0000	G2
LDS30WXXXREO-3002/-0000	G3

**G2**



**G3**

