

Evolve® LED Area Light

Compact Low Wattage (EACL)



Project Name _____

Date _____ Type _____

Notes _____

Current's EAL Series of Area Light Luminaires offer a wide range of optical patterns, color temperatures, lumen packages, and mounting configurations to optimize area light applications, as well as provide versatility in lighting design within the same form factor.

CONSTRUCTION

Housing:	Die-cast aluminum housing with integral heat sink for maximum heat transfer
Paint:	Corrosion resistant polyester powder paint, minimum 2.0 mil thickness Standard = Black, Dark Bronze Gray, White (RAL & custom colors available) Optional coastal finish available.
Weight:	18 lbs (8.16 kg) Max depending on configuration

OPTICAL SYSTEM

Lumens:	2,900 - 20,400
Distribution:	Asymmetric Forward Type IV Asymmetric Wide Type III Asymmetric Narrow/Auto Type II
Efficacy:	123 - 143 LPW
CCT:	3000K, 4000K, 5000K
CRI:	≥70

ELECTRICAL

Input Voltage:	120-277V & 347-480V
Input Frequency:	50/60Hz
Power Factor:	> 90% at rated watts
Total Harmonic Distortion:	< 20% at rated watts

SURGE PROTECTION*

Typical (120 Strikes)	Enhanced (40 Strikes)	Extreme (40 Strikes)
6kV/3kA*	10kV/5kA*	20kV/10kA*

*Per ANSI C136.2-2015

LUMEN MAINTENANCE

Projected Lxx per IES TM-21-11 at 25°C

Lumen Codes	LXX(10K) @ Hours		
	25,000 HR	50,000 HR	60,000 HR
A2, A3, A4, B2, B3, B4, C2, C3, C4D2, D3, D4, E2, E3, E4, F2, F3, F4	L94	L90	L88
H2,H3, H4	L97	L96	L96

Note: Projected Lxx based on LM80 (≥ 10,000 hour testing). Accepted industry tolerances apply to initial luminous flux and lumen maintenance measurements.

LUMINAIRE AMBIENT TEMPERATURE FACTOR

Ambient Temp (°C)	Initial Flux Factor	Ambient Temp (°C)	Initial Flux Factor
10	1.02	30	0.99
20	1.01	40	0.98
25	1.00	50	0.97

RATINGS

Operating Temperature:	-40°C to 50°C
Vibration:	3G vibration per ANSI C136.31-2018
LM-79:	Testing in accordance with IESNA Standards

CONTROLS

Dimming:	Standard - 0-10V Optional - DALI (Option U)
Sensors:	Photo Electric Sensors (PE) available LightGrid and Daintree Compatible

WARRANTY

5 Year (Standard)

Evolve® LED Area Light

Compact Low Wattage (EACL)

Catalog Logic

Project Name _____

Date _____ Type _____

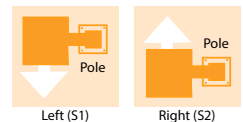
Notes _____

EACL 01

7

PROD. ID	GEN	VOLTAGE	OPTIC CODE	DISTRIBUTION	CRI (min)	CCT	DIMMING ²	CONTROLS	MOUNTING ARM	COLOR	OPTIONS
E = Evolve	01	0 = 120-277 ¹	Ax=3000	AF = Asymmetric Forward	7 = 70	30 = 3000K ¹¹	N = Dimming thru PE receptacle ¹²	1 = None	C1 = Integral Slip-fitter for 1.25"- 2" Pipe (1.66in. OD - 2.378 in. OD) ⁴	GRAY = Gray	F = Fusing
AC = Compact Area Light		H = 347-480 ¹	Bx=5000	AW = Asymmetric Wide		40 = 4000K	D = External Dimming 18/2-3ft cable ¹²	A = ANSI 7-pin PE receptacle (no control)	D1 = Universal Mounting Arm, fitted for round or square pole mounting ⁵	BLCK = Black	H = Motion Sensor (Sensor Switch) ⁸
L = Low Voltage			Cx=7500	AN = Asymmetric Narrow/Auto		50 = 5000K	X = No PE receptacle, no external dimming leads ¹³	D = ANSI 7-pin PE receptacle with shorting cap provided	K1 = Knuckle Slipfitter for 1.9 in - 2.3in. OD Tenon ^{5,6}	DKBZ = Dark Bronze	H1 = Motion Sensor w/LightGrid
		1 = 120	Dx=10000					E = ANSI C136.41 7-pin with Non-Dimming PE Control ³	S1 = Knuckle Slipfitter for 2.3in. - 3.0in OD Tenon ^{5,6}	WHITE = White	H2 = Motion Sensor (Daintree) ⁸
		2 = 208	Dx=10000						V1 = Knuckle Wall Mount ^{5,6}		H4 = Motion Sensor (Wattstopper)
		3 = 240	Ex=12500								J = cUL/Canada
		4 = 277	Fx=15000								L = Tool-Less Entry
		5 = 480	Hx=20000								R = Enhanced Surge Protection (10kV/ 5kA)
		D = 347									U = DALI dimming ⁷
											V = 3-Position Terminal Block
											V1 = Variable output via Field Adjustable Module
											Y = Coastal Finish ¹⁰
											XXX = Special Options

- ¹ Not Available with Fusing, Must Choose a Discrete Voltage with "F" Option Code
- ² Note Standard Dimming is 0-10V
- ³ PE Control only available for 120-277V, 347V or 480V Discrete Voltage.
- ⁴ Supplied with 3ft leads
- ⁵ Supplied with 16/3 ft Cable
- ⁶ Restricted Aiming Angle of 0-45°
- ⁷ Compatible with LightGrid Wireless Control Nodes, Not Compatible with Motion Sensor Control
- ⁸ Not available in 347V, 480V or 347-480V
- ¹⁰ Recommended for installations within 750 feet from coast. Lead time varies, check with factory.
- ¹¹ Select 3000K CCT for IDA approved fixtures.
- ¹² Can only be ordered with Controls A, D or E
- ¹³ Can on be used with controls option 1



Evolve® LED Area Light

Compact Low Wattage (EACL)

Spec Tables

Project Name _____

Date _____ Type _____

Notes _____

OPTICAL CODE	DIST CODE	CLASSIFICATION	TYPICAL LUMENS		TYPICAL SYSTEM WATTAGE		BUG RATING	
			3000K	4000K & 5000K	120-277V	347-480V	3000K	4000K & 5000K
A4	AF	TYPE IV	2900	2900	21	23	B1-UO-G1	B1-UO-G1
B4			4900	4900	36	38	B1-UO-G1	B1-UO-G1
C4			7300	7300	55		B1-UO-G2	B1-UO-G2
D4			9800	9800	73		B2-UO-G2	B2-UO-G2
E4			12200	12200	95		B2-UO-G2	B2-UO-G2
F4			14700	14700	122		B2-UO-G2	B2-UO-G2
H4			19000	19000	153		B3-UO-G3	B3-UO-G3
A3			AW	TYPE III	2900	3000	21	23
B3	4900	5100			36	38	B1-UO-G1	B1-UO-G1
C3	7400	7600			55		B1-UO-G2	B1-UO-G2
D3	9900	10200			73		B2-UO-G2	B2-UO-G2
E3	12400	12700			95		B2-UO-G2	B2-UO-G2
F3	14900	15300			122		B2-UO-G2	B2-UO-G2
H3	19300	20400			153		B3-UO-G2	B3-UO-G2
A2	AN	TYPE II			2900	3000	21	23
B2			4900	5000	36	38	B1-UO-G1	B1-UO-G1
C2			7300	7500	55		B2-UO-G1	B2-UO-G2
D2			9800	10100	73		B2-UO-G2	B2-UO-G2
E2			12300	12600	95		B2-UO-G2	B2-UO-G2
F2			14700	15100	122		B3-UO-G2	B3-UO-G3
H2			19100	20200	153		B3-UO-G3	B3-UO-G3

For additional information on EACL IES files, please click one of the following links:

[Non-Shielded](#)
[Shielded](#)

Evolve® LED Area Light

Compact Low Wattage (EACL)

Photometric Plots

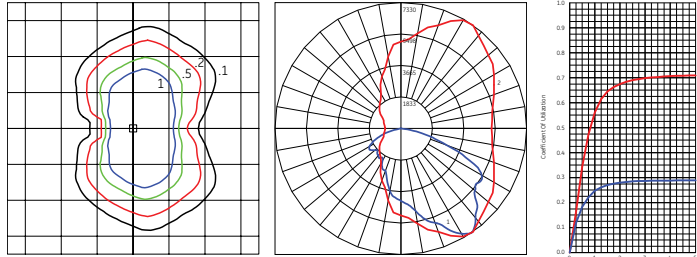
Project Name _____

Date _____ Type _____

Notes _____

EACL - Type II - Very Short

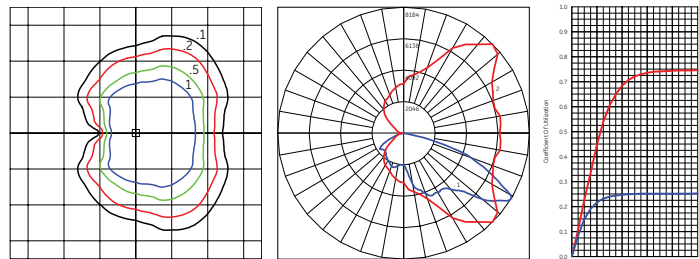
15,100 lumens
EACL01_F2AN750____.IES



Gridline spacing is equal to mounting height. Initial footcandle values shown are at grade for 20' mounting height. — Vertical plane through horizontal angle of maximum candlepower at XX° — Vertical plane through horizontal angle of XX°

EACL - Type III - Short

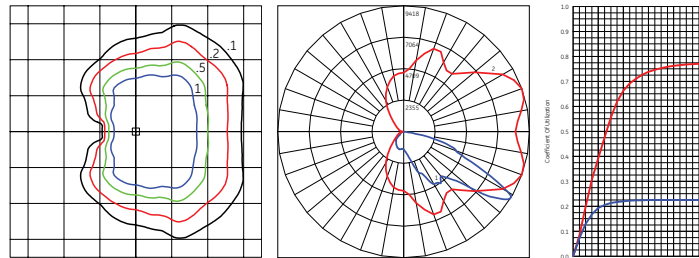
15,300 lumens
EACL01_F3AW750____.IES



Gridline spacing is equal to mounting height. Initial footcandle values shown are at grade for 20' mounting height. — Vertical plane through horizontal angle of maximum candlepower at XX° — Vertical plane through horizontal angle of XX°

EACL - Type III - Very Short

15,000 lumens
EACL01_F4AF750____.IES



Gridline spacing is equal to mounting height. Initial footcandle values shown are at grade for 20' mounting height. — Vertical plane through horizontal angle of maximum candlepower at XX° — Vertical plane through horizontal angle of XX°

Evolve® LED Area Light

Compact Low Wattage (EACL)

Photometric Plots

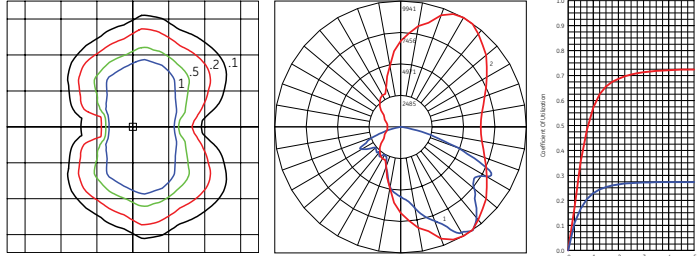
Project Name _____

Date _____ Type _____

Notes _____

EACL - Type II - Very Short

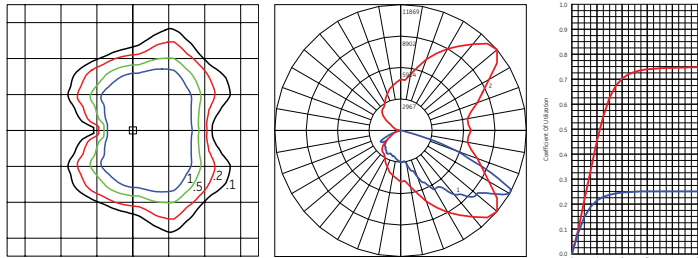
20,200 lumens
EACL01_H2AN750____.IES



Gridline spacing is equal to mounting height. Initial footcandle values shown are at grade for 20' mounting height. — Vertical plane through horizontal angle of maximum candlepower at XX° — Vertical plane through horizontal angle of XX°

EACL - Type III - Short

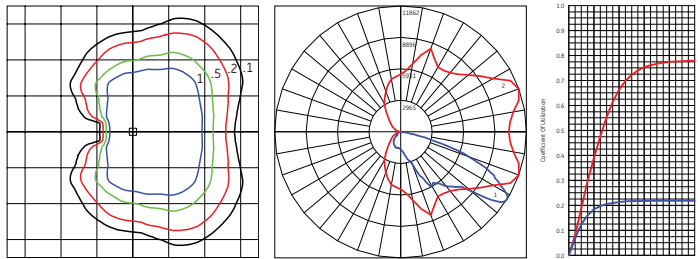
20,400 lumens
EACL01_H3AW750____.IES



Gridline spacing is equal to mounting height. Initial footcandle values shown are at grade for 20' mounting height. — Vertical plane through horizontal angle of maximum candlepower at XX° — Vertical plane through horizontal angle of XX°

EACL - Type IV - Very Short

20,000 lumens
EACL01_H4AF750____.IES



Gridline spacing is equal to mounting height. Initial footcandle values shown are at grade for 20' mounting height. — Vertical plane through horizontal angle of maximum candlepower at XX° — Vertical plane through horizontal angle of XX°

Evolve® LED Area Light

Compact Low Wattage (EACL)

Motion Sensing

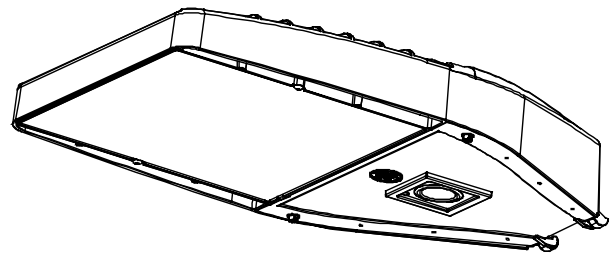
Project Name _____

Date _____ Type _____

Notes _____

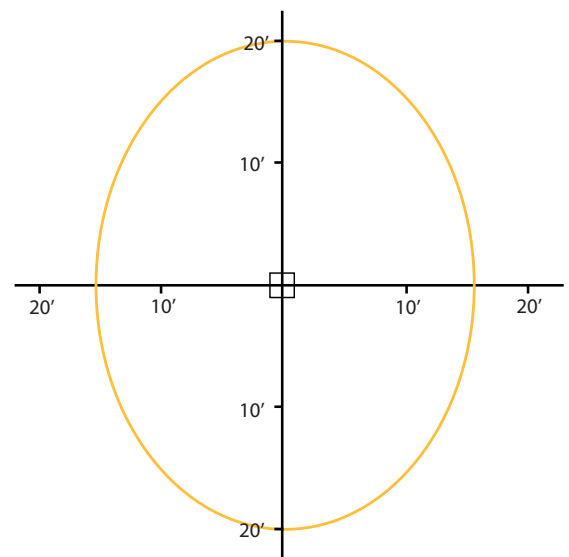
H-MOTION SENSING OPTION

- Recommended Mounting Height: 15-30' (4.6-9.1m)
- For mounting heights exceeding 30 ft., pole mounted sensors are recommended
- Coverage Radius: 15-20' (4.6-6.1 m).
- Provides 270 degree of coverage (approx 90 is blocked by the pole)
- Default Settings:
 - Output: Occupied - 100%/Unoccupied - 50%
 - Integral PE Sensor.
 - 5 minute post-occupancy time delay, 5 minute dimming ramp-down.
- Fixture power increase of 1W expected with sensor use.



H1/4 - MOTION SENSING OPTION (WATTSTOPPER)

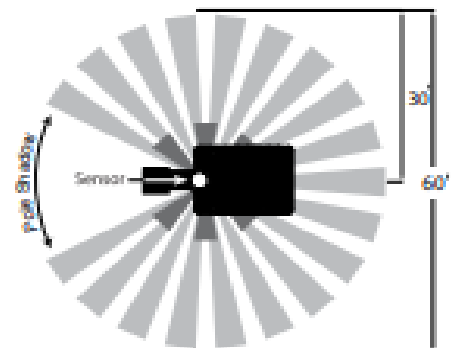
- Recommended Mounting Height: 15-30' (4.6-9.1m)
- For mounting heights exceeding 30 ft., pole mounted sensors are recommended
- Coverage Radius: 15-20' (4.6-6.1 m).
- Provides 270 degree of coverage (approx 90 is blocked by the pole)
- Default Settings:
 - Output: Occupied - 100%/Unoccupied - 50%
 - PE Sensor: Enabled
 - Ramp/Fade: 5 Minutes/5 Minutes
- Adds < 1W to fixture power rating
- Field programmable using FSIR-100 hand held programmer



H2 - MOTION SENSING OPTION (DAINTREE)

- Recommended Mounting Height: 15-30' (4.6-9.1m)
- For mounting heights exceeding 30 ft., pole mounted sensors are recommended
- Provides a coverage area radius for walking motion of 15-20 ft. (4.57-6.10m)
- Provides 270 degree of coverage (approx 90 is blocked by the pole)
- Default Settings:
 - Output: Occupied - 100%/Unoccupied - 50%
 - PE Sensor: None
 - Ramp/Fade: 5 Minutes/5 Minutes
- Adds < 1W to fixture power rating
- Requires Daintree Enterprise and wide area control (WAC)

Sensing Pattern Area Fixture
Up to 30 ft. Mounting Height



Evolve® LED Area Light

Compact Low Wattage (EACL)

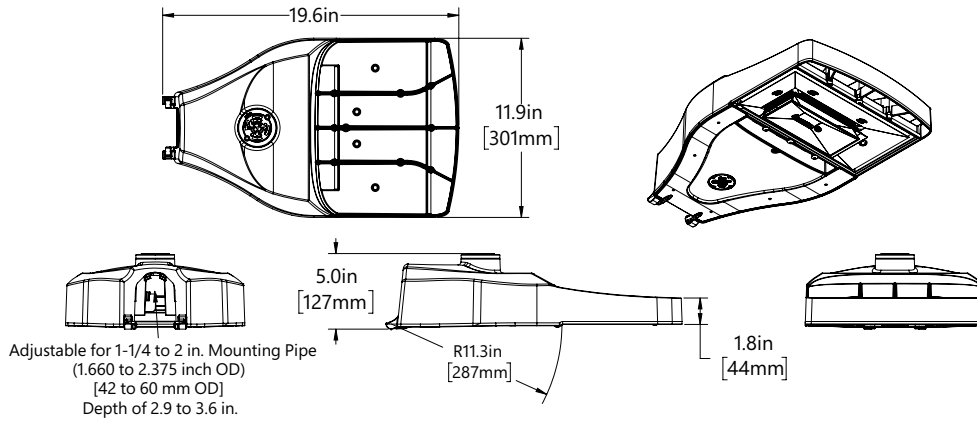
Project Name _____

Date _____ Type _____

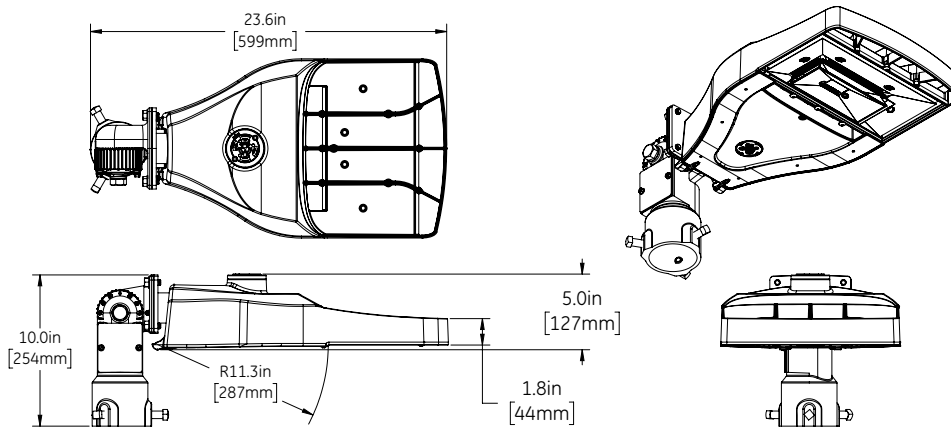
Notes _____

Mounting

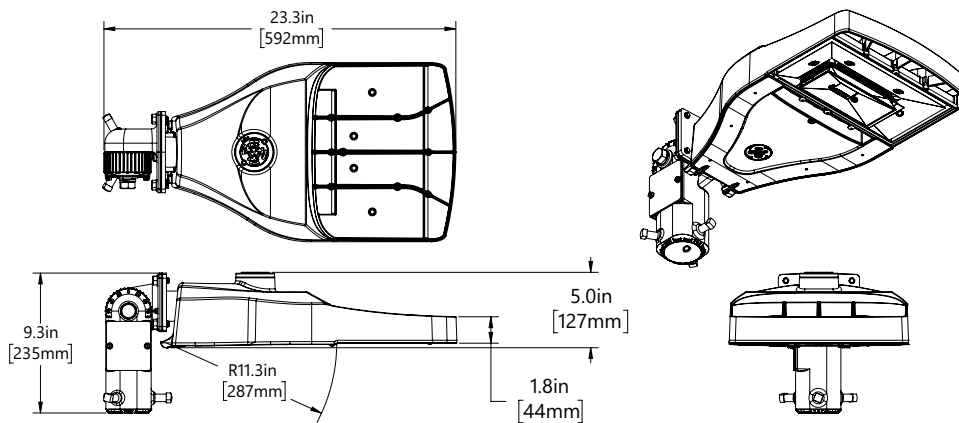
Integral Slipfitter: C1



Knuckle Slipfitter: S1



Knuckle Slipfitter: K1



Evolve® LED Area Light

Compact Low Wattage (EACL)

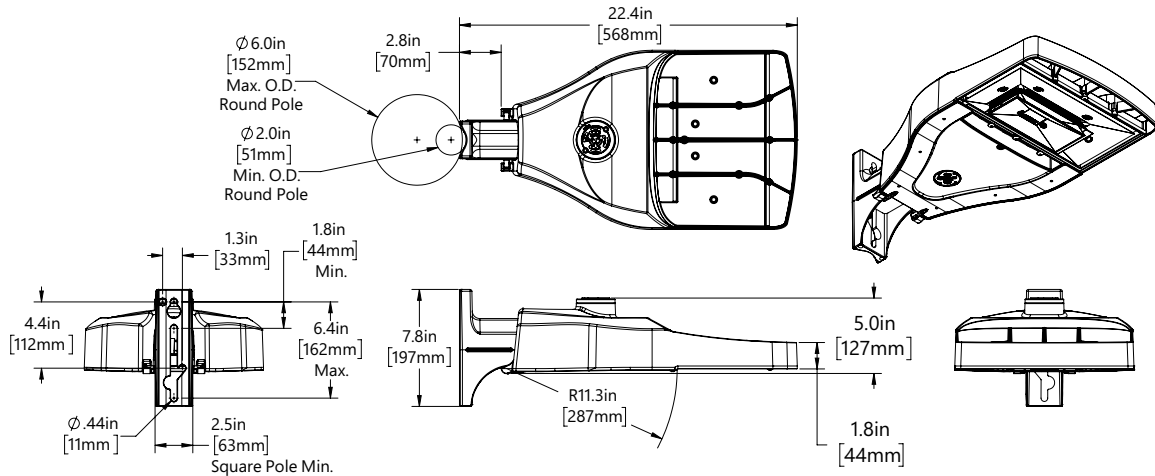
Project Name _____

Date _____ Type _____

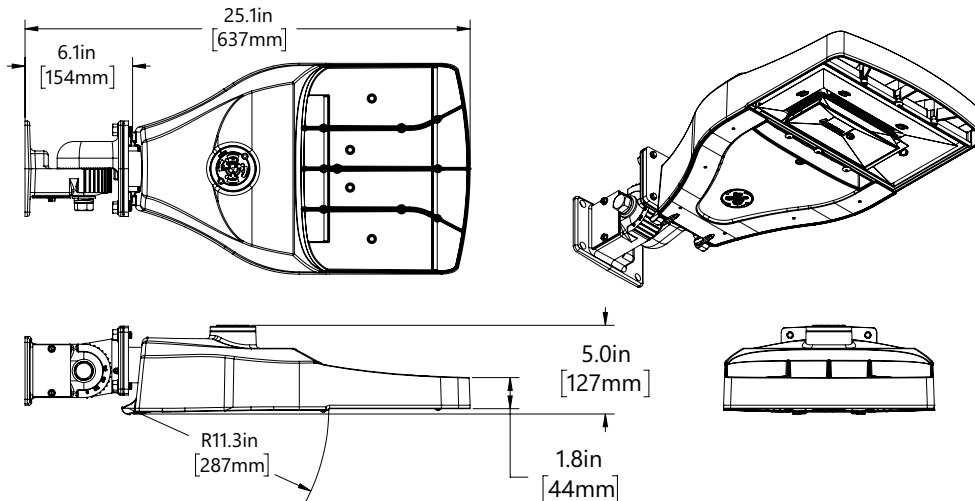
Notes _____

Mounting

Universal Mounting Arm: D1



Knuckle Wall Mount: V1



WEIGHT

- 18 lbs (8.16 kg) Max depending on configuration

EFFECTIVE PROJECTED AREA

- Integral Slipfitter C1, EPA = 0.31 Min/0.37 Max
- Universal Arm Mount D1, EPA = 0.31 Min / 0.52 Max
- Knuckle Slipfitter S1, K1 downward aim, EPA = 0.46 Min / 0.56 Max
- Knuckle Slipfitter S1, K1 45° aim, EPA = 0.56 Min / 1.03 Max

Evolve® LED Area Light

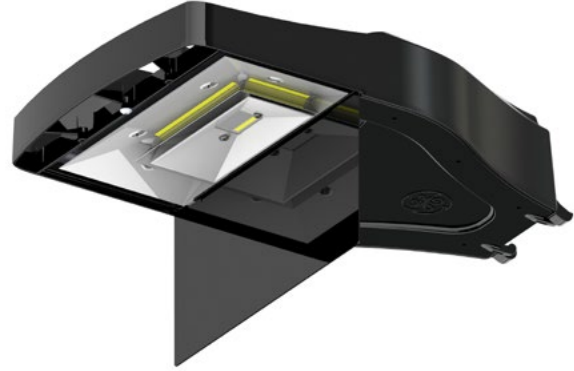
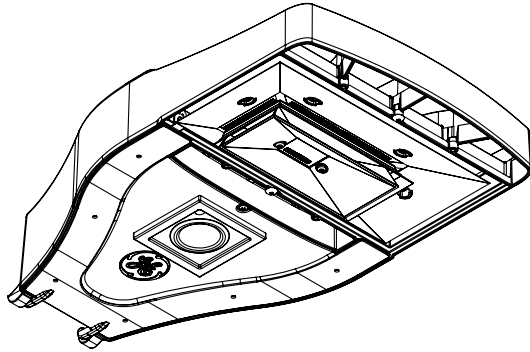
Compact Low Wattage (EACL)

Mounting & Accessories

Project Name _____

Date _____ Type _____

Notes _____



PE Accessories (to be ordered separately)

SAP Number	Part Number	Description
93123552	WANSI - 277	ANSI 136.41 Dimming PE Daintree Enable, 105-305V
93123553	WANSI - 480	ANSI 136.41 Dimming PE Daintree Enable, 312-530V
93029237	PED-MV-LED-7	ANSI C136.41 Dimming PE, 120-277V
93029238	PED-347-LED-7	ANSI C136.41 Dimming PE, 347V
93029239	PED-480-LED-7	ANSI C136.41 Dimming PE, 480V

SAP Number	Part Number	Description
28299	PEC0TL	Standard 120-277V
28294	PEC5TL	Standard 480V
80436	PECDTL	Standard 347V
93147530	PECHTL	Long Life Standard PE 347-480V
73251	SCCL-PECTL	Shorting cap

EACL Shields

Shield Orientations	Cutoff Distance	Shield Order Logic
Back	Long	ELS-EACL-RBL-BLCK
Front	1.5	ELS-EACL-RF3-BLCK
Front	2	ELS-EACL-RF4-BLCK
Side	1	ELS-EACL-RS2-BLCK

Evolve® LED Area Light

Compact Low Wattage (EACL)

Mounting & Accessories

Project Name _____

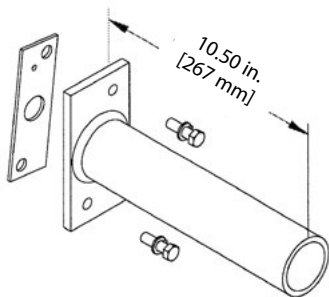
Date _____ Type _____

Notes _____

MOUNTING ARMS FOR SLIPFITTER Order separately with Mounting Option C1 (Slipfitter)

SQUARE POLE MOUNTING ARM

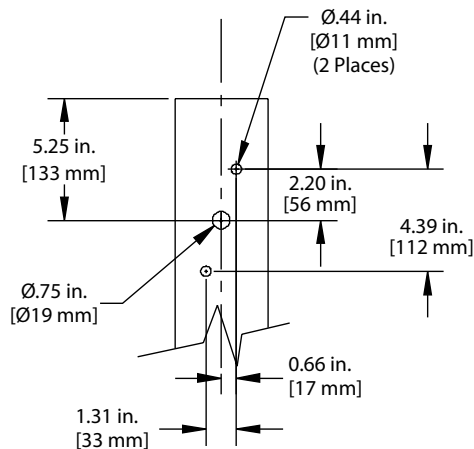
- 3.5 TO 4.5-inch (89 to 114mm) SQUARE (WILL ALLOW 4 FIXTURES PER POLE @ 90 DEGREES.)



ORDER SEPARATELY FROM FIXTURE AS CATALOG NUMBER

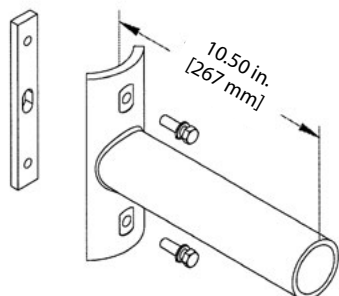
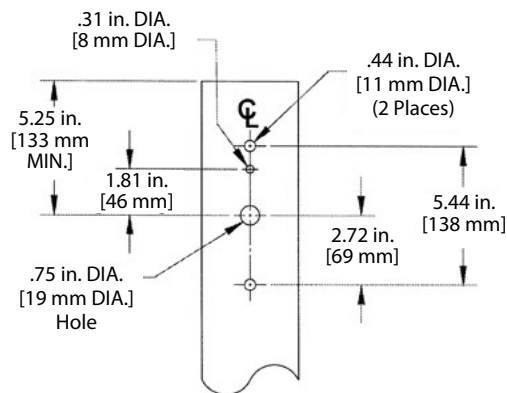
- SPA-EAMT10BLCK "Black"
- SPA-EAMT10DKBZ "Dark Bronze"
- SPA-EAMT10WHITE "White"
- SPA-EAMT10GRAY "Gray"

SQUARE POLE MOUNTING DRILLING TEMPLATE



ROUND POLE MOUNTING DRILLING TEMPLATE

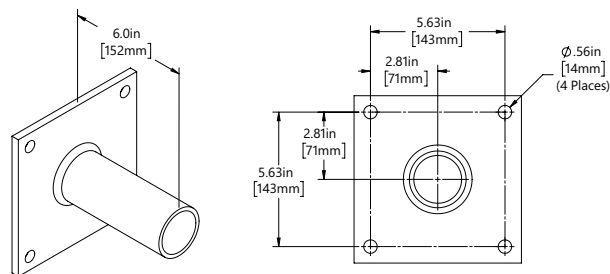
- 3.5 TO 4.5-inch (89 to 114mm) OD round pole mounting arm



ORDER SEPARATELY FROM FIXTURE AS CATALOG NUMBER

- RPA-EAMT10BLCK "Black"
- RPA-EAMT10DKBZ "Dark Bronze"
- RPA-EAMT10WHITE "White"
- RPA-EAMT10GRAY "Gray"

WALL MOUNTING BRACKET HOLE PATTERN



Wall Mounting Bracket Adapter Plate

ORDER SEPARATELY FROM FIXTURE AS CATALOG NUMBER
WMB-EAMT06

*NOTE: For Wall Mounting, order luminaire with mounting arm: C1 = Slipfitter 2" Pipe (2.378 in. OD) supplied with leads.

Other mounting patterns are available for retrofit installations. Contact manufacturing for other available mounting patterns.