



GE Evolve™

LED Area Lighting

EALS-03 & EALP-03

TYPES: B1, B1-2, E

current
powered by GE



Product Features

The **EAL Area Light** luminaires offer a wide range of optical patterns, color temperatures, lumen packages, and mounting configurations to optimize area light applications, as well as provide versatility in lighting design within the same form-factor. They are ideal for commercial property site-lighting applications such as retail and commercial exteriors. The EALS (standard) area light has a lumen range from 7,500-30,000 lumens. The EALP (premium) offers a similar lumen range of 25,000 to 70,000 lumens but with higher LPW and better lumen maintenance.

Both the **EALS-03** and **EALP-03** feature our innovative, highly flexible Universal Mounting Arm option, which provides installers the ability to mount the EAL fixtures on both round and square poles of multiple sizes. In addition, it features both in-line and offset bolt patterns which enable it to easily be affixed to the majority of the bolt patterns one would encounter in the field.

Applications

- Site and area light applications such as parking lots, retail exteriors, commercial exteriors, roadways and other general lighting applications

Housing

- Slim architectural design incorporates an integral heat sink and light engine, ensuring maximum heat transfer, and long LED life.
- Die cast aluminum housing
- 3G vibration per ANSI C136.31-2010

LED & Optical Assembly

- LM-79 tests and reports in accordance with IESNA standards
- 70CRI at 3000K, 4000K and 5000K
- Distributions: II, III, IV, V
- Upward Light Output Ratio (ULOR) = 0 (horizontal orientation)

Lumen Maintenance

- Projected Lxx per IES TM-21 at 25 °C for reference:

EALS03 Optical code	Lxx (10k) @ Hours		
	25,000 hr	50,000 hr	100,000 hr
C2, C3, C4, C5, D2, D3, D4, D5	L95	L92	L86
F5, H2, H3, H4, H5	L95	L92	L86
F2, F3, F4, J2, J3, J4, J5	L94	L89	L81
K2, K3, K4, K5	L94	L89	L81



EALP03 Optical code	Lxx (10k) @ Hours		
	25,000 hr	50,000 hr	100,000 hr
J5, K2, K3, K4, K5	L97	L96	L94
L2, L3, L4, L5, M2, M3, M4, M5	L97	L96	L94
J2, J3, J4, N2, N3, N4, N5	L94	L91	L84
P2, P3, P4, P5, Q2, Q3, Q4, Q5	L94	L91	L84

Note: 1) Projected Lxx based on LM80 (10,000 hour testing). 2) DOE Lighting Facts Verification Testing Tolerances apply to initial luminous flux and lumen maintenance measurements

Lumen Ambient Temperature Factors:

Ambient Temp (°C)	Initial Flux Factor
10	1.02
20	1.01
25	1.00
30	0.99
40	0.98

Ratings

-  cUL Listed
-  UL 1598 Listed Suitable for Wet Locations
- IP65 optical enclosure per ANSI C136.25-2013
- Operating Temperature -40°C to +40°C (maximum of +35°C for 570W)
- California Title 24 compliant (w/ "H" motion sensor option)

Mounting

Option C1: Integral Slipfitter for 1.25"-2" Pipe (1.66in. OD-2.378in. OD) supplied with leads. +/- 5 deg adjustment for leveling.

Option D1: Universal Mounting Arm, fitted for round or square pole mounting supplied with 16/3 3ft cable.

Option K1: Knuckle Slipfitter for 1.9 in.-2.3 in. OD Tenon with leads. Restricted aiming angle 0° to +45°.

Option S1: Knuckle Slipfitter for 2.3in.- 3.0in OD Tenon with leads. Restricted aiming angle 0° to +45°.

Option V1: Knuckle Wall Mount with leads. Restricted aiming angle 0° to +45°.

Finish

- Corrosion resistant polyester powder paint, minimum thickness 2.0 mil.
- Standard colors: Black, Dark Bronze, Aluminum, Gray & White.
- RAL & custom colors available.
- Optional coastal finish available.

Electrical

- 120-277 VAC and 347-480 VAC available.
- System power factor is >90% and THD <20%.
- ANSI C136.41 7-pin dimming receptacle, standard.
- ANSI photo electric sensors (PE) available for all voltages.
- LightGrid™ compatible.
- Dimming/Occupancy:
 - Standard: 0-10V; Optional: DALI (120-277V, excluding 400 watts and above)
 - Externally wired 0-10V dimming (optional)
 - DALI digital dimming. Contact manufacturer for availability.
 - Standalone dimming occupancy sensor with ambient light sensor, option code "H".
 - Daintree occupancy sensor available.
- Surge Protection tested per ANSI C136.2-2015.
 - 6kV/3kA "Basic" surge protection, standard.
 - 10kV/5kA "Enhanced" surge protection optional.

Warranty

- 5 Year Standard

Accessories

- Photoelectric Controls (see page 9)
- Light Shields (see Data Sheet OLP 3120 Shielding for EAL Area Light Fixtures)

Ordering Number Logic

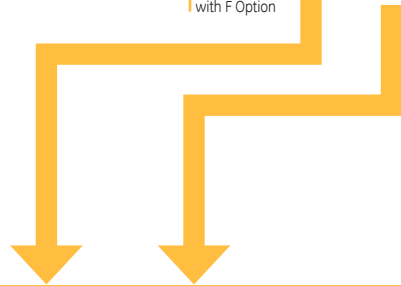
Evolve™ LED Area Light (EALS-03)

TYPES: B1, B-2, E



E ALS 03 7

PROD. ID	GENERATION	VOLTAGE	OPTICAL DISTRIBUTION CODE	CRI	CCT	DIMMING	CONTROLS	MOUNTING ARM	COLOR	OPTIONS	
E = Evolve AL = Area Light S = Standard	03 = 3rd Generation	0 = 120-277* 1 = 120 2 = 208 3 = 240 4 = 277 5 = 480 D = 347 H = 347-480*	SM = Symmetric Medium SW = Symmetric Wide SH = Symmetric High Angle AF = Asymmetric Forward AH = Asymmetric High Angle AW = Asymmetric Wide AN = Asymmetric Narrow/Auto	7 = 70 (min)	30 = 3000K 40 = 4000K 50 = 5000K	N = Dimming thru PE receptacle D = External Dimming 18/2-3ft cable X = Non-dimmable*	A = ANSI 7-pin PE receptacle (no control) D = ANSI 7-pin PE receptacle with shorting cap provided	C1 = Integral Slipfitter for 1.25" - 2" Pipe (1.66in. OD - 2.378in. OD)* D1 = Universal Mounting Arm, fitted for round or square pole mounting** K1 = Knuckle Slipfitter for 1.9 in - 2.3in. OD Tenon*** S1 = Knuckle Slipfitter for 2.3in. - 3.0in OD Tenon*** V1 = Knuckle Wall Mount***	GRAY = Gray BLCK = Black DKBZ = Dark Bronze WHITE = White	F = Fusing H = Motion Sensor (Sensor Switch) H2 = Motion Sensor (Daintree) J = cUL/Canada L = Tool-Less Entry R = Enhanced Surge Protection (10kV/5kA) S1 = Rotated Left † S2 = Rotated Right † U = DALI dimming *+ V = 3-Position Terminal Block Y = Coastal Finish XXX = Special Options	
		*Not available with Fusing. Must choose a discreet voltage with F Option				All constructions supplied with ANSI C136.41 7-pin Receptacle *Required for Cx Optical Codes. Not available for other optical codes. Note: Standard dimming 0-10V		** See accessories section on page 7 for PE Control ordering		† For aimed left or right light distribution orientation, as assembled in manufacturing. Not applicable for Symmetric Distributions. Note: H2 option not available at 370V-480V	

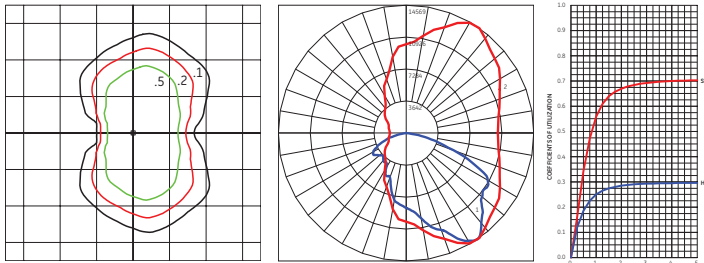


TYPE	OPTICAL CODE	DISTRIBUTION	TYPICAL INITIAL LUMENS		TYPICAL SYSTEM WATTAGE	BUG RATING		IES FILE NUMBER		
			3000K	4000K & 5000K	120-277V & 347-480V	3000K B-U-G	4000 & 5000K B-U-G	IES FILE NUMBER 3000K	IES FILE NUMBER 4000K	IES FILE NUMBER 5000K
Type V	C5	Symmetric Medium (SM)	7300	7500	46	B3-U0-G1	B3-U0-G1	EALS03_C5SM730_IES	EALS03_C5SM740_IES	EALS03_C5SM750_IES
	D5	Symmetric Medium (SM)	9800	10000	64	B3-U0-G1	B3-U0-G1	EALS03_D5SM730_IES	EALS03_D5SM740_IES	EALS03_D5SM750_IES
	F5	Symmetric Medium (SM)	14700	15000	101	B4-U0-G2	B4-U0-G2	EALS03_F5SM730_IES	EALS03_F5SM740_IES	EALS03_F5SM750_IES
	H5	Symmetric Medium (SM)	19600	20000	140	B4-U0-G2	B4-U0-G2	EALS03_H5SM730_IES	EALS03_H5SM740_IES	EALS03_H5SM750_IES
	J5	Symmetric Medium (SM)	24500	25000	186	B4-U0-G2	B4-U0-G2	EALS03_J5SM730_IES	EALS03_J5SM740_IES	EALS03_J5SM750_IES
	K5	Symmetric Medium (SM)	29400	30000	239	B5-U0-G3	B5-U0-G3	EALS03_K5SM730_IES	EALS03_K5SM740_IES	EALS03_K5SM750_IES
	C5	Symmetric Wide (SW)	7300	7500	46	B2-U0-G1	B2-U0-G1	EALS03_C5SW730_IES	EALS03_C5SW740_IES	EALS03_C5SW750_IES
	D5	Symmetric Wide (SW)	9800	10100	64	B3-U0-G1	B3-U0-G1	EALS03_D5SW730_IES	EALS03_D5SW740_IES	EALS03_D5SW750_IES
	F5	Symmetric Wide (SW)	14700	15100	101	B3-U0-G2	B3-U0-G2	EALS03_F5SW730_IES	EALS03_F5SW740_IES	EALS03_F5SW750_IES
	H5	Symmetric Wide (SW)	19700	20200	140	B4-U0-G2	B4-U0-G2	EALS03_H5SW730_IES	EALS03_H5SW740_IES	EALS03_H5SW750_IES
	J5	Symmetric Wide (SW)	24600	25200	186	B4-U0-G2	B4-U0-G2	EALS03_J5SW730_IES	EALS03_J5SW740_IES	EALS03_J5SW750_IES
	K5	Symmetric Wide (SW)	29600	30300	239	B5-U0-G2	B5-U0-G2	EALS03_K5SW730_IES	EALS03_K5SW740_IES	EALS03_K5SW750_IES
	C5	Symmetric High Angle (SH)	7000	7200	46	B3-U0-G1	B3-U0-G1	EALS03_C5SH730_IES	EALS03_C5SH740_IES	EALS03_C5SH750_IES
	D5	Symmetric High Angle (SH)	9400	9600	64	B3-U0-G2	B3-U0-G2	EALS03_D5SH730_IES	EALS03_D5SH740_IES	EALS03_D5SH750_IES
	F5	Symmetric High Angle (SH)	14200	14500	101	B4-U0-G2	B4-U0-G2	EALS03_F5SH730_IES	EALS03_F5SH740_IES	EALS03_F5SH750_IES
H5	Symmetric High Angle (SH)	18900	19300	140	B4-U0-G2	B4-U0-G2	EALS03_H5SH730_IES	EALS03_H5SH740_IES	EALS03_H5SH750_IES	
J5	Symmetric High Angle (SH)	23600	24100	186	B5-U0-G3	B5-U0-G3	EALS03_J5SH730_IES	EALS03_J5SH740_IES	EALS03_J5SH750_IES	
K5	Symmetric High Angle (SH)	28400	29000	239	B5-U0-G3	B5-U0-G3	EALS03_K5SH730_IES	EALS03_K5SH740_IES	EALS03_K5SH750_IES	
Type IV	C4	Asymmetric Forward (AF)	7300	7500	50	B1-U0-G2	B1-U0-G2	EALS03_C4AF730_IES	EALS03_C4AF740_IES	EALS03_C4AF750_IES
	D4	Asymmetric Forward (AF)	9800	10000	70	B2-U0-G2	B2-U0-G2	EALS03_D4AF730_IES	EALS03_D4AF740_IES	EALS03_D4AF750_IES
	F4	Asymmetric Forward (AF)	14700	15000	116	B2-U0-G2	B2-U0-G2	EALS03_F4AF730_IES	EALS03_F4AF740_IES	EALS03_F4AF750_IES
	H4	Asymmetric Forward (AF)	19600	20000	140	B3-U0-G3	B3-U0-G3	EALS03_H4AF730_IES	EALS03_H4AF740_IES	EALS03_H4AF750_IES
	J4	Asymmetric Forward (AF)	24500	25000	186	B3-U0-G3	B3-U0-G3	EALS03_J4AF730_IES	EALS03_J4AF740_IES	EALS03_J4AF750_IES
	K4	Asymmetric Forward (AF)	29400	30000	239	B3-U0-G4	B3-U0-G4	EALS03_K4AF730_IES	EALS03_K4AF740_IES	EALS03_K4AF750_IES
	C4	Asymmetric High Angle (AH)	7000	7200	50	B2-U0-G2	B2-U0-G2	EALS03_C4AH730_IES	EALS03_C4AH740_IES	EALS03_C4AH750_IES
	D4	Asymmetric High Angle (AH)	9400	9600	70	B2-U0-G2	B2-U0-G2	EALS03_D4AH730_IES	EALS03_D4AH740_IES	EALS03_D4AH750_IES
	F4	Asymmetric High Angle (AH)	14200	14500	116	B3-U0-G3	B3-U0-G3	EALS03_F4AH730_IES	EALS03_F4AH740_IES	EALS03_F4AH750_IES
	H4	Asymmetric High Angle (AH)	18900	19300	140	B3-U0-G3	B3-U0-G4	EALS03_H4AH730_IES	EALS03_H4AH740_IES	EALS03_H4AH750_IES
J4	Asymmetric High Angle (AH)	23600	24100	186	B3-U0-G4	B3-U0-G4	EALS03_J4AH730_IES	EALS03_J4AH740_IES	EALS03_J4AH750_IES	
K4	Asymmetric High Angle (AH)	28400	29000	239	B3-U0-G4	B3-U0-G4	EALS03_K4AH730_IES	EALS03_K4AH740_IES	EALS03_K4AH750_IES	
Type III	C3	Asymmetric Wide (AW)	7300	7500	50	B2-U0-G1	B2-U0-G1	EALS03_C3AW730_IES	EALS03_C3AW740_IES	EALS03_C3AW750_IES
	D3	Asymmetric Wide (AW)	9800	10100	70	B2-U0-G2	B2-U0-G2	EALS03_D3AW730_IES	EALS03_D3AW740_IES	EALS03_D3AW750_IES
	F3	Asymmetric Wide (AW)	14700	15100	116	B2-U0-G2	B2-U0-G2	EALS03_F3AW730_IES	EALS03_F3AW740_IES	EALS03_F3AW750_IES
	H3	Asymmetric Wide (AW)	19700	20200	140	B3-U0-G2	B3-U0-G3	EALS03_H3AW730_IES	EALS03_H3AW740_IES	EALS03_H3AW750_IES
	J3	Asymmetric Wide (AW)	24600	25200	186	B3-U0-G3	B3-U0-G3	EALS03_J3AW730_IES	EALS03_J3AW740_IES	EALS03_J3AW750_IES
K3	Asymmetric Wide (AW)	29600	30300	239	B3-U0-G3	B3-U0-G3	EALS03_K3AW730_IES	EALS03_K3AW740_IES	EALS03_K3AW750_IES	
Type II	C2	Asymmetric Narrow/Auto (AN)	7300	7500	50	B2-U0-G2	B2-U0-G2	EALS03_C2AN730_IES	EALS03_C2AN740_IES	EALS03_C2AN750_IES
	C3	Asymmetric Narrow/Auto (AN)	9800	10100	70	B2-U0-G2	B2-U0-G2	EALS03_D2AN730_IES	EALS03_D2AN740_IES	EALS03_D2AN750_IES
	F2	Asymmetric Narrow/Auto (AN)	14700	15100	116	B3-U0-G3	B3-U0-G3	EALS03_F2AN730_IES	EALS03_F2AN740_IES	EALS03_F2AN750_IES
	H2	Asymmetric Narrow/Auto (AN)	19700	20200	140	B3-U0-G3	B3-U0-G3	EALS03_H2AN730_IES	EALS03_H2AN740_IES	EALS03_H2AN750_IES
	J2	Asymmetric Narrow/Auto (AN)	24600	25200	186	B3-U0-G3	B3-U0-G3	EALS03_J2AN730_IES	EALS03_J2AN740_IES	EALS03_J2AN750_IES
K2	Asymmetric Narrow/Auto (AN)	29600	30300	239	B3-U0-G3	B3-U0-G3	EALS03_K2AN730_IES	EALS03_K2AN740_IES	EALS03_K2AN750_IES	

Photometrics

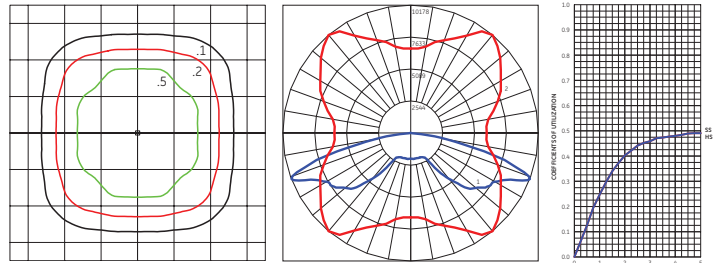
Evolve™ LED Area Light (EALS-03)

EALS Type II - Asymmetric Narrow/Auto
30,300 Lumens, 5000K (EALS03_K2AN750__IES)



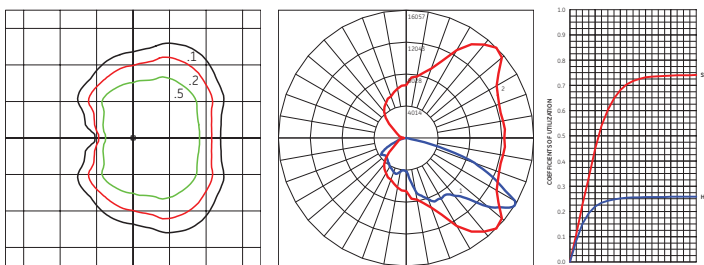
Grid Distance in Units of Mounting Height at 40' Initial Footcandle Values at Grade
 — Vertical plane through horizontal angle of maximum candlepower at 55°
 — Vertical plane through horizontal angle of 34°

EALS Type VS - Symmetric High Angle
29,000 Lumens, 5000K (EALS03_K5SH750__IES)



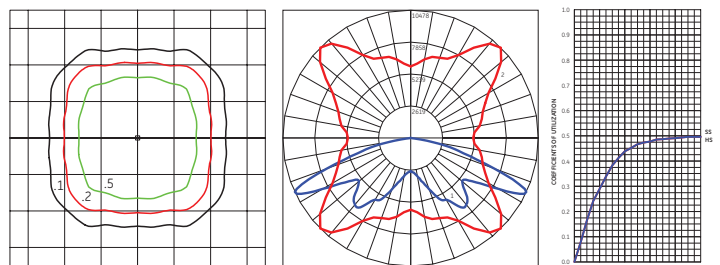
Grid Distance in Units of Mounting Height at 40' Initial Footcandle Values at Grade
 — Vertical plane through horizontal angle of maximum candlepower at 50°
 — Vertical plane through horizontal angle of 69°

EALS Type III - Asymmetric Wide
30,300 Lumens, 5000K (EALS03_K3AW750__IES)



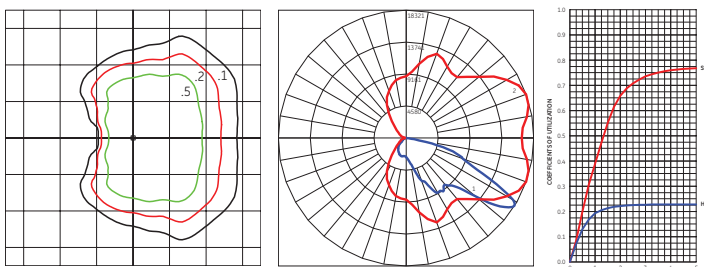
Grid Distance in Units of Mounting Height at 40' Initial Footcandle Values at Grade
 — Vertical plane through horizontal angle of maximum candlepower at 45°
 — Vertical plane through horizontal angle of 58°

EALS Type VS - Symmetric Medium
30,000 Lumens, 5000K (EALS03_K5SM750__IES)



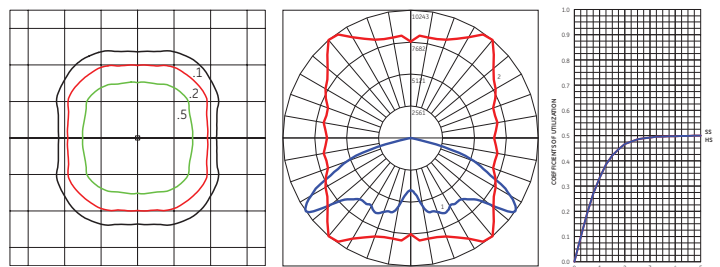
Grid Distance in Units of Mounting Height at 40' Initial Footcandle Values at Grade
 — Vertical plane through horizontal angle of maximum candlepower at 45°
 — Vertical plane through horizontal angle of 65°

EALS Type IV - Asymmetric Forward
30,000 Lumens, 5000K (EALS03_K4AF750__IES)



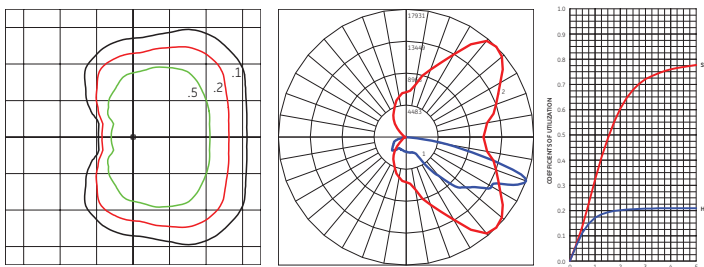
Grid Distance in Units of Mounting Height at 40' Initial Footcandle Values at Grade
 — Vertical plane through horizontal angle of maximum candlepower at 20°
 — Vertical plane through horizontal angle of 58°

EALS Type VS - Symmetric Wide
30,300 Lumens, 5000K (EALS03_K5SW750__IES)



Grid Distance in Units of Mounting Height at 40' Initial Footcandle Values at Grade
 — Vertical plane through horizontal angle of maximum candlepower at 50°
 — Vertical plane through horizontal angle of 55°

EALS Type IV - Asymmetric High Angle
29,000 Lumens, 5000K (EALS03_K4AH750__IES)

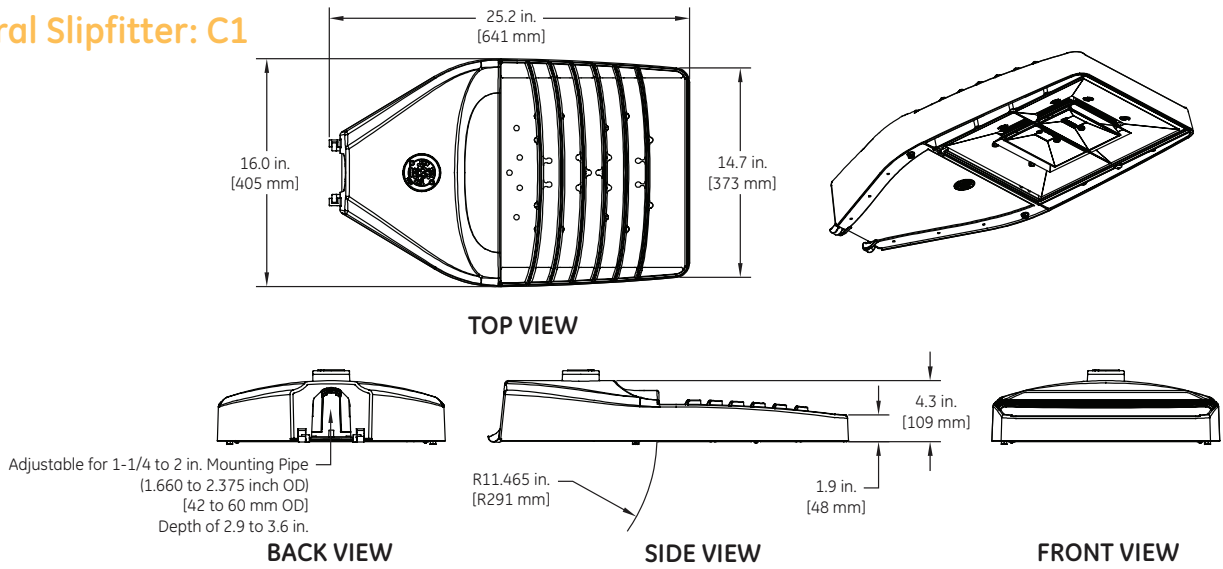


Grid Distance in Units of Mounting Height at 40' Initial Footcandle Values at Grade
 — Vertical plane through horizontal angle of maximum candlepower at 45°
 — Vertical plane through horizontal angle of 70°

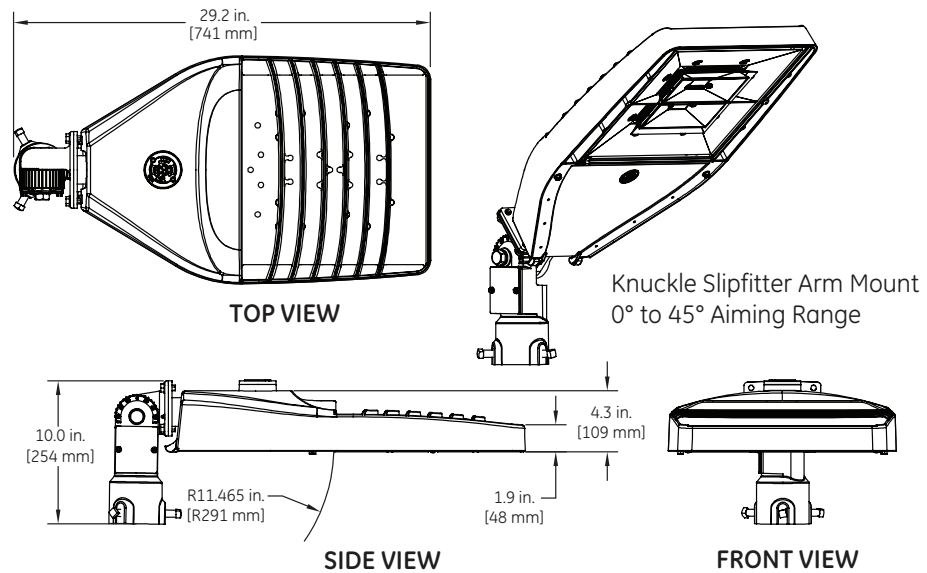
Product Dimensions

Evolve™ LED Area Light (EALS-03 & EALP-03)

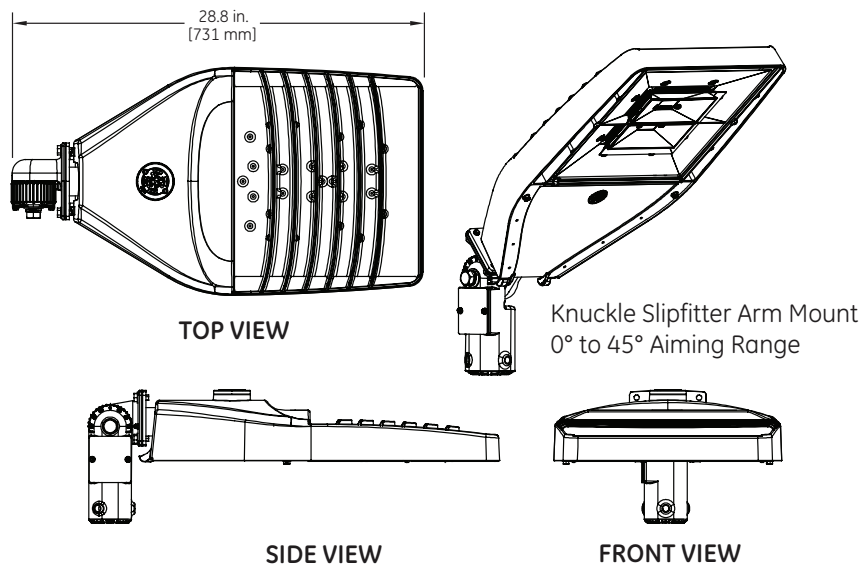
Integral Slipfitter: C1



Knuckle Slipfitter: S1



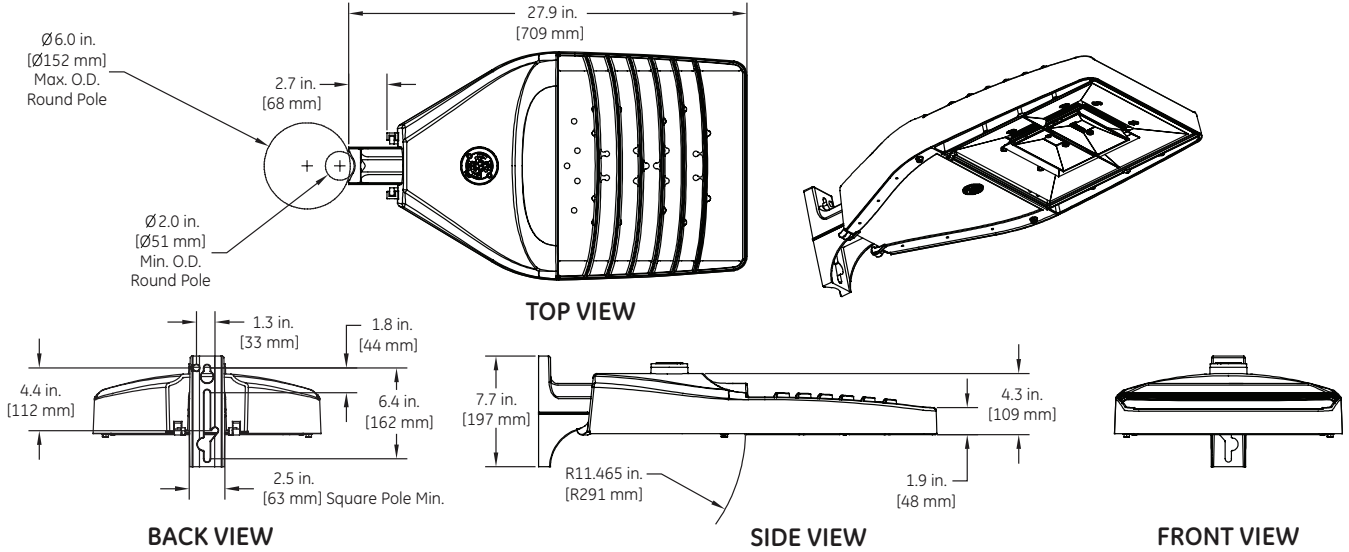
Knuckle Slipfitter: K1



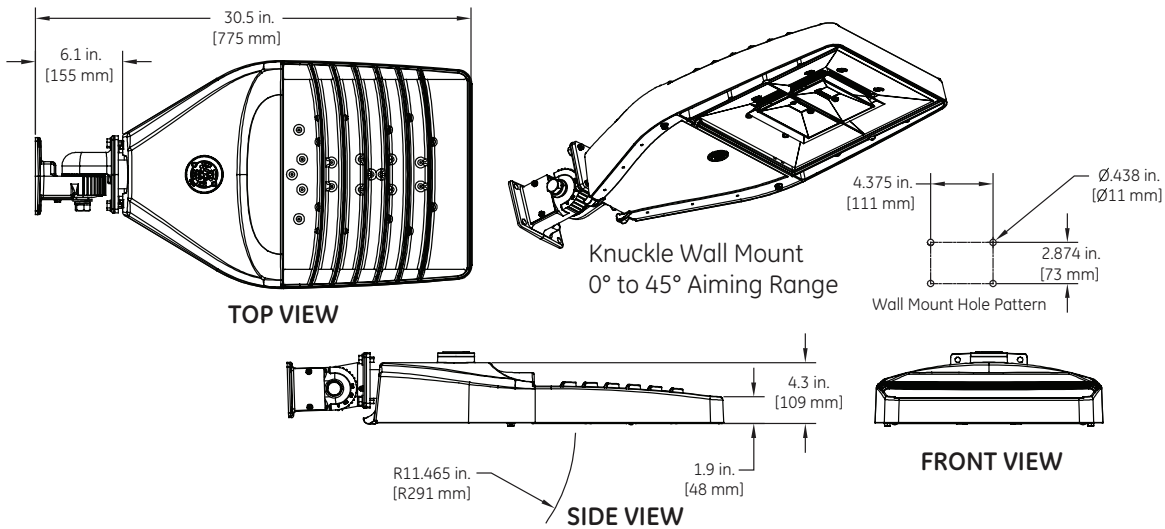
Product Dimensions

Evolve™ LED Area Light (EALS-03 & EALP-03)

Universal Mounting Arm: D1



Knuckle Wall Mount: V1



DATA

- Weight: PM request of ≤ 35 lbs (max not including occ sensor option)
- Effective Projected Area:
 - Knuckle Slipfitter S1, K1 45° aim, EPA = 2.45
 - Knuckle Slipfitter S1, K1 downward aim, EPA = 0.73
 - Universal Arm Mount D1, EPA = 0.54 - Knuckle Wall Mount V1, 45° aim, EPA = 0.77 sq ft min and 1.43 sq ft max
 - Integral Slipfitter C1, EPA = 0.63

Accessories

Evolve™ LED Area Light (EALS-03 & EALP-03)

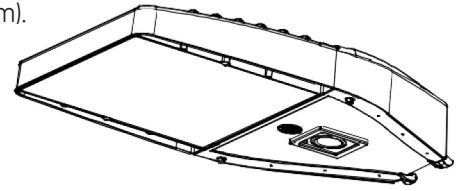
PE Accessories (to be ordered separately)

SAP Number	Part Number	Description
93029237	PED-MV-LED-7	ANSI C136.41 Dimming PE, 120-277V
93029238	PED-347-LED-7	ANSI C136.41 Dimming PE, 347V
93029239	PED-480-LED-7	ANSI C136.41 Dimming PE, 480V

SAP Number	Part Number	Description
28299	PEC0TL	STANDARD 120-277V
28294	PEC5TL	STANDARD 480V
80436	PECDTL	STANDARD 347V
73251	SCCL-PECTL	Shorting cap

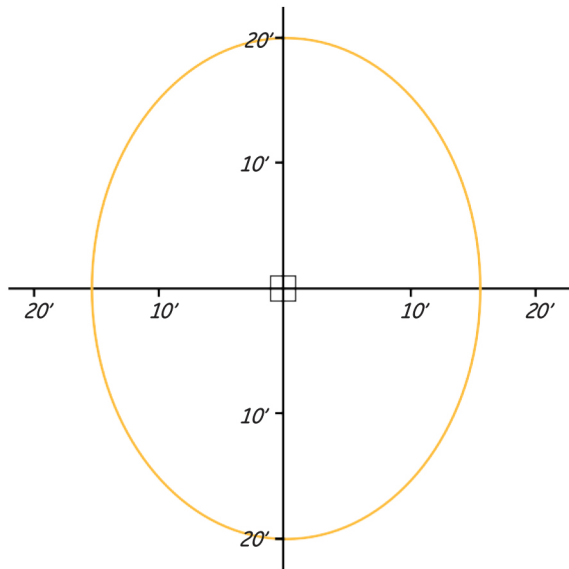
H-Motion Sensing Option

- Intended for applications, between 15-30 ft. mounting height. (4.57-9.14m). For mounting heights exceeding 30 ft., pole mounted sensors are recommended.
- Provides a coverage area radius for walking motion of 15-20 ft. (4.57-6.10m).
- Provides 270° of coverage (~90° is blocked by the pole).
- Standard factory settings:
 - 50% output when unoccupied, 100% output occupied.
 - Integral PE Sensor.
 - 5 minute post-occupancy time delay, 5 minute dimming ramp-down.
- Fixture power increase of 1W expected with sensor use.



Note: Standard options may be reprogrammed in the field. Reprogramming instructions included in product shipment.

Sensor Pattern



**Sensing Pattern Area Fixture
Up to 30 ft. Mounting Height**

Mounting Information

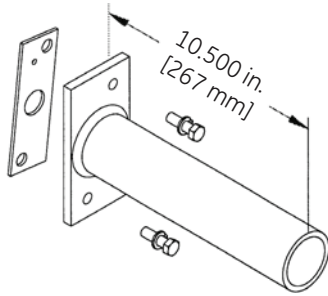
Evolve™ LED Area Light (EALS-03 & EALP-03)

Mounting Options for Integral Slipfitter - (Mounting Arm C1)

Order separately

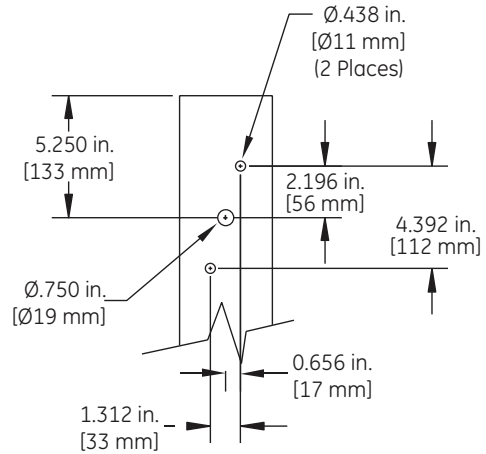
SQUARE POLE MOUNTING ARM

3.5 TO 4.5-inch (89 to 114mm) SQUARE
(WILL ALLOW 4 FIXTURES PER POLE @ 90 DEGREES.)



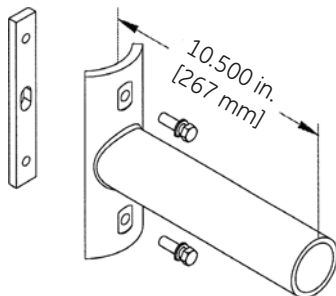
ORDER SEPARATELY FROM FIXTURE AS CATALOG NUMBER
SPA-EAMT10BLCK "Black"
SPA-EAMT10DKBZ "Dark Bronze"
SPA-EAMT10WHTE "White"
SPA-EAMT10GRAY "Gray"

SQUARE POLE MOUNTING DRILLING TEMPLATE



ROUND POLE MOUNTING ARM DRILLING TEMPLATE

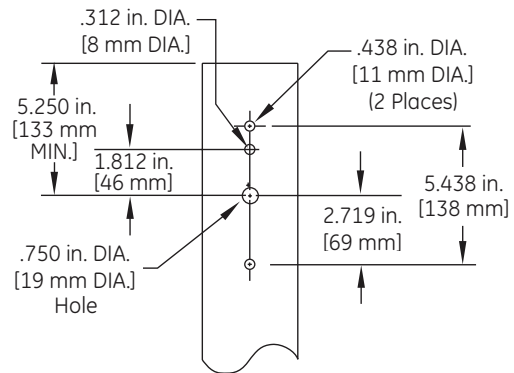
3.5 TO 4.5-inch (89 to 114mm) OD
(WILL ALLOW 4 FIXTURES PER POLE @ 90 DEGREES.)



ORDER SEPARATELY FROM FIXTURE AS CATALOG NUMBER
RPA-EAMT10BLCK "Black"
RPA-EAMT10DKBZ "Dark Bronze"
RPA-EAMT10WHTE "White"
RPA-EAMT10GRAY "Gray"

ROUND POLE MOUNTING DRILLING TEMPLATE

3.5 TO 4.5-inch (89 to 114mm) OD
round pole mounting arm



Wall Mounting Bracket Adapter Plate

ORDER SEPARATELY FROM FIXTURE AS CATALOG NUMBER
WMB-EAMT06

***NOTE:** For Wall Mounting, order luminaire with mounting arm: C1 = Slipfitter 2" Pipe (2.378 in. OD) supplied with leads.

Other mounting patterns are available for retrofit installations.
 Contact manufacturing for other available mounting patterns.



All trademarks are the property of their respective owners. Information provided is subject to change without notice. All values are design or typical values when measured under laboratory conditions. Current, powered by GE is a business of the General Electric Company.
 © 2018 GE.

