

EALS Series LED Outdoor Area Light

The EALS Area Light luminaire offers a wide range of optical patterns, color temperatures, lumen packages and mounting configurations to optimize area light applications, as well as provide versatility in lighting design within the same form-factor. They are ideal for commercial property site-lighting applications such as retail and commercial exteriors.



Construction

Housing:	Aluminum die cast enclosure. Integral heat sink for maximum heat transfer
Lens:	Impact resistant tempered glass
Paint:	Corrosion resistant polyester powder paint, minimum 2.0 mil thickness Standard = Black, Dark Bronze Gray, White (RAL & custom colors available) Optional = Coastal Finish
Weight:	27 lbs

Optical System

Lumens:	7,000 - 30,300
Photometry:	Type II, III, IV & V
Efficacy:	126 - 160 LPW
CCT:	3000K, 4000K, 5000K
CRI:	≥70
Upward Light Output Ration (ULOR):	0 Horizontal Orientation

Electrical

Input Voltage:	120-277V, 277-480V & 347-480V
Input Frequency:	50/60 Hz
Power Factor (PF):	> 90% at rated watts
Total Harmonic Distortion (THD):	< 20% at rated watts

Surge Protection

TYPICAL (120 STRIKES)		
6kV/3kA*	10kV/5kA*	20kV/10kA*

*Per ANSI C136.2-2015

Lumen Maintenance

Projected Lxx per IES TM-21-11 at 25°C

OPTICS	LXX(H0K) @ HOURS		
	25,000 HR	50,000 HR	60,000 HR
C2, C3, C4, C5, D2, D3, D4, D5	L96	L92	L91
F5, H2, H3, H4, H5	L95	L93	L92
F2, F3, F4, J3, J4, J5	L95	L93	L92
K2, K3, K4, K5	L95	L93	L92

Note: Projected Lxx based on LM80 (= 10,000 hour testing). Accepted industry tolerances apply to initial luminous flux and lumen maintenance measurements

Luminaire Ambient Temperature Factor

AMBIENT TEMP (°C)	INITIAL FLUX FACTOR	AMBIENT TEMP (°C)	INITIAL FLUX FACTOR
10	1.02	30	0.99
20	1.01	40	0.98
25	1.00		

Ratings

Operating Temperature:	-40° C to 40° C
Vibration:	3G per ANSI C136.31-2010
LM-79:	Testing in accordance with IESNA Standards

Controls

Dimming:	Standard - 0-10V Optional - DALI (Option U)
Sensors:	Photo Electric Sensors (PE) available LightGrid+™ and Daintree Compatible

Warranty

5 Year (Standard)

10 Year (Optional)



Ordering Information

EALS 03 _____ 7 _____

PRODUCT ID	GENERATION	VOLTAGE	OPTICAL CODE	DISTRIBUTION	CRI	CCT	DIMMING ²	CONTROLS	MOUNTING ARM	COLOR	OPTIONS
E= Evolve	03	0 ¹ =120-277V	Cx =7500 ¹⁴	SM = Symmetric Medium	7 = 70 (min)	30 ¹¹ = 3000K	N = Dimming thru PE receptacle	A = ANSI C136.41 7-Pin Receptacle (No Control)	C1 ⁴ = Integral Slipfitter: Standard	BLCK = Black	F= Fusing
AL= Area Light		H ¹ = 347-480V	Dx = 10000 lm ¹⁵	SW = Symmetric Wide		40 = 4000K	D = External Dimming 18/2 3 ft Cable	D = ANSI C136.417-Pin Receptacle with Shorting Cap	D1 ⁵ = Universal Mounting Arm: Fitted for round or square pole mounting	DKBZ = Dark Bronze	H = Motion Sensor ^{3,14,16} (Sensor Switch)
S = Standard		E ¹⁹ = 277-480V	Fx = 15000 lm	SH = Symmetric High Angle		50 = 5000K	X = Non dimming, no external dimming leads ¹³	E ³ = ANSI C136.41 7-pin with Non-Dimming PE Control	K1 ^{4,6} = Knuckle Slipfitter: For 1.9 in. - 2.3 in OD Tenon	GRAY = Gray	H1 = LightGrid w/ WattStopper ¹⁴
			Hx = 20000 lm	AF = Asymmetric Forward					S1 ^{4,6} = Knuckle Slipfitter: For 2.3 in. - 3.0 in OD Tenon	WHITE = White	H2 = Daintree enabled motion sensor ^{14,16}
		1 = 120V	Jx = 25000 lm	AH = Asymmetric High Angle					V1 ^{4,6} = Knuckle Wall Mount		H4 = Motion Sensor (WattStopper) ¹⁴
		2 = 208V	Kx = 30000 lm	AW = Asymmetric Wide							J = cUL/Canada
		3 = 240V		AN = Asymmetric Narrow/Auto							L = Tool-Less Entry
		4 =277V									R = Enhanced Surge Protection (10kV/5kA)
		D = 347V									S1 ² = Rotated Left
		5 = 480V									S2 ² = Rotated Right
											T = Extreme Surge Protection (20kV/10kA)
											U ⁷ = DALI Programmable
											V = 3 Position Terminal Block
											Y ¹⁰ = Coastal Finish
											XXX = Special Options

¹ Not Available with Fusing, Must Choose a Discrete Voltage with "F" Option Code

² Note Standard Dimming is 0-10V

³ Not available in 277-480V

⁴ Supplied with 3ft leads

⁵ Supplied with 16/3 ft Cable

⁶ Restricted Aiming Angle of 0-45°

⁷ Compatible with LightGrid+™ Wireless Control Nodes, Not Compatible with Motion Sensor Control

⁸ Not available in 347V, 480V or 347-480V

⁹ Only available with F,H,J,K optics

¹⁰ Recommended for installations within 750 feet from coast. Lead time varies, check with factory.

¹¹ Select 3000K CCT for IDA approved fixtures.

¹² For aimed left of right light distribution orientation, as assembled in manufacturing. Not applicable for Symmetric Distributions

¹³ Required for Cx optical codes only, not available for other optic codes

¹⁴ Not available with DALI

¹⁵ DALI option not available with 347V, 480V, or 347-480V

¹⁶ Not available with 20kV/10kA SPD

CUSTOMER NAME _____

PROJECT NAME _____

DATE _____ TYPE _____

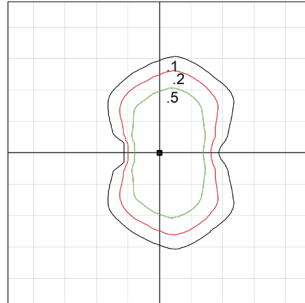
CATALOG NUMBER _____

TYPE	OPTIC CODE	DISTRIBUTION	TYPICAL INITIAL LUMENS		TYPICAL SYSTEM WATTAGE	BUG RATINGS	
			3000K	4000K & 5000K	120-277 & 347-480V	3000K	4000 & 5000K
						B-U-G	B-U-G
TYPE V	C5	Symmetric Medium (SM)	7300	7500	46	B3-U0-G1	B3-U0-G1
	D5	Symmetric Medium (SM)	9800	10000	64	B3-U0-G1	B3-U0-G1
	F5	Symmetric Medium (SM)	14700	15000	101	B4-U0-G2	B4-U0-G2
	H5	Symmetric Medium (SM)	19600	20000	140	B4-U0-G2	B4-U0-G2
	J5	Symmetric Medium (SM)	24500	25000	186	B4-U0-G2	B4-U0-G2
	K5	Symmetric Medium (SM)	29400	30000	239	B5-U0-G3	B5-U0-G3
	C5	Symmetric Wide (SW)	7300	7500	46	B2-U0-G1	B2-U0-G1
	D5	Symmetric Wide (SW)	9800	10100	64	B3-U0-G1	B3-U0-G1
	F5	Symmetric Wide (SW)	14700	15100	101	B3-U0-G2	B3-U0-G2
	H5	Symmetric Wide (SW)	19700	20200	140	B4-U0-G2	B4-U0-G2
	J5	Symmetric Wide (SW)	24600	25200	186	B4-U0-G2	B4-U0-G2
	K5	Symmetric Wide (SW)	29600	30300	239	B5-U0-G2	B5-U0-G2
	C5	Symmetric High Angle (SH)	7000	7200	46	B3-U0-G1	B3-U0-G1
	D5	Symmetric High Angle (SH)	9400	9600	64	B3-U0-G2	B3-U0-G2
	F5	Symmetric High Angle (SH)	14200	14500	101	B4-U0-G2	B4-U0-G2
	H5	Symmetric High Angle (SH)	18900	19300	140	B4-U0-G2	B4-U0-G2
	J5	Symmetric High Angle (SH)	23600	24100	186	B5-U0-G3	B5-U0-G3
	K5	Symmetric High Angle (SH)	28400	29000	239	B5-U0-G3	B5-U0-G3
TYPE IV	C4	Asymmetric Forward (AF)	7300	7500	50	B1-U0-G2	B1-U0-G2
	D4	Asymmetric Forward (AF)	9800	10000	70	B2-U0-G2	B2-U0-G2
	F4	Asymmetric Forward (AF)	14700	15000	116	B2-U0-G2	B2-U0-G2
	H4	Asymmetric Forward (AF)	19600	20000	140	B3-U0-G3	B3-U0-G3
	J4	Asymmetric Forward (AF)	24500	25000	186	B3-U0-G3	B3-U0-G3
	K4	Asymmetric Forward (AF)	29400	30000	239	B3-U0-G4	B3-U0-G4
	C4	Asymmetric High Angle (AH)	7000	7200	50	B2-U0-G2	B2-U0-G2
	D4	Asymmetric High Angle (AH)	9400	9600	70	B2-U0-G2	B2-U0-G2
	F4	Asymmetric High Angle (AH)	14200	14500	116	B3-U0-G3	B3-U0-G3
	H4	Asymmetric High Angle (AH)	18900	19300	140	B3-U0-G3	B3-U0-G4
J4	Asymmetric High Angle (AH)	23600	24100	186	B3-U0-G4	B3-U0-G4	
K4	Asymmetric High Angle (AH)	28400	29000	239	B3-U0-G4	B3-U0-G4	
TYPE III	C3	Asymmetric Wide (AW)	7300	7500	50	B2-U0-G1	B2-U0-G1
	D3	Asymmetric Wide (AW)	8900	10100	70	B2-U0-G2	B2-U0-G2
	F3	Asymmetric Wide (AW)	14700	15100	116	B2-U0-G2	B2-U0-G2
	H3	Asymmetric Wide (AW)	19800	20200	140	B3-U0-G2	B3-U0-G3
	J3	Asymmetric Wide (AW)	24600	25200	186	B3-U0-G3	B3-U0-G3
	K3	Asymmetric Wide (AW)	29600	30300	239	B3-U0-G3	B3-U0-G3
TYPE II	C2	Asymmetric Narrow/Auto (AN)	7300	7500	50	B3-U0-G2	B2-U0-G2
	D2	Asymmetric Narrow/Auto (AN)	9800	10100	70	B2-U0-G2	B2-U0-G2
	F2	Asymmetric Narrow/Auto (AN)	14700	15100	116	B2-U0-G2	B3-U0-G3
	H2	Asymmetric Narrow/Auto (AN)	19700	20200	140	B3-U0-G3	B3-U0-G3
	J2	Asymmetric Narrow/Auto (AN)	24600	25200	186	B3-U0-G3	B3-U0-G3
	K2	Asymmetric Narrow/Auto (AN)	29600	30300	239	B3-U0-G3	B3-U0-G3

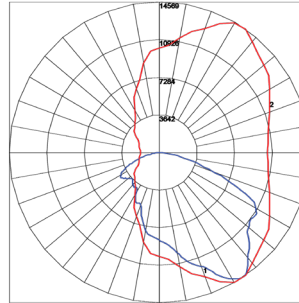
For additional information on Non-Shielded and Shielded EALS files, please refer to LED.com

**EALS03
ASYMMETRIC NARROW
(K2AN750)**
30300 Lumens
5000k

EALS03_K2AN750_-----IES



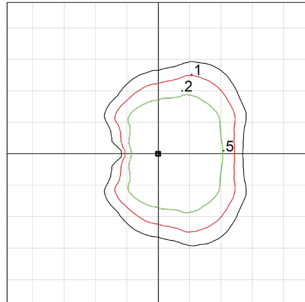
Grid Distance in Units of Mounting Height at 40' Initial Footcandle Values at Grade



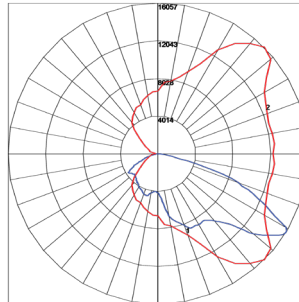
—: Vertical plane through horizontal angle of maximum candlepower at 55°
—: Vertical plane through horizontal angle 34°

**EALS03
ASYMMETRIC WIDE
(K3AW750)**
30300 Lumens
5000k

EALS03_K3AW750_-----IES



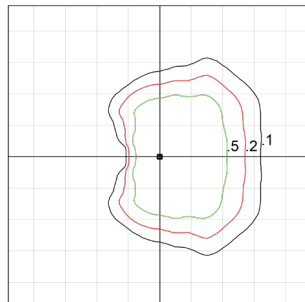
Grid Distance in Units of Mounting Height at 40' Initial Footcandle Values at Grade



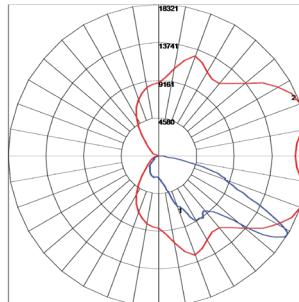
—: Vertical plane through horizontal angle of maximum candlepower at 45°
—: Vertical plane through horizontal angle 58°

**EALS03
ASYMMETRIC FORWARD
(K4AF750)**
30000 Lumens
5000k

EALS03_K4AF750_-----IES



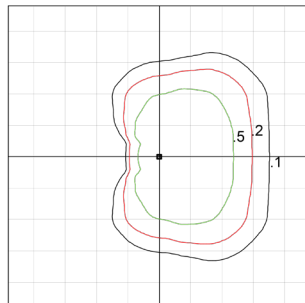
Grid Distance in Units of Mounting Height at 40' Initial Footcandle Values at Grade



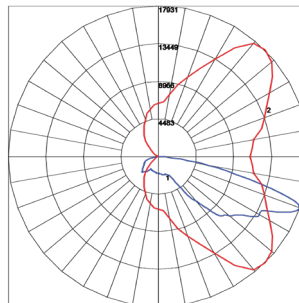
—: Vertical plane through horizontal angle of maximum candlepower at 20°
—: Vertical plane through horizontal angle 58°

**EALS03
ASYMMETRIC HIGH ANGLE
(K4AH750)**
29000 Lumens
5000k

EALS03_K4AH750_-----IES

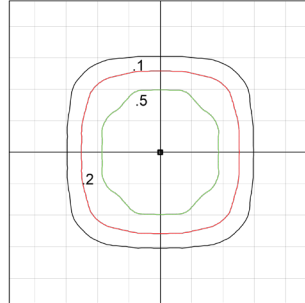


Grid Distance in Units of Mounting Height at 40' Initial Footcandle Values at Grade

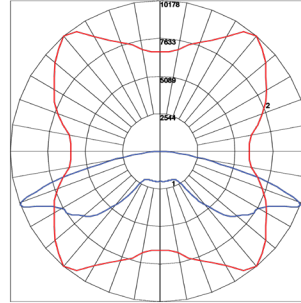


—: Vertical plane through horizontal angle of maximum candlepower at 45°
—: Vertical plane through horizontal angle 70°

EALS03
SYMMETRIC HIGH ANGLE
(K5SH750)
29000 Lumens
5000k
EALS03_K5SH750_____IES

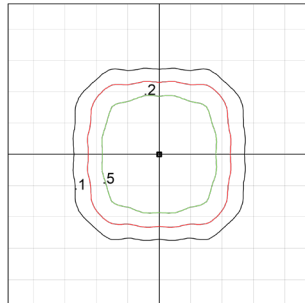


Grid Distance in Units of Mounting Height
at 40' Initial Footcandle Values at Grade

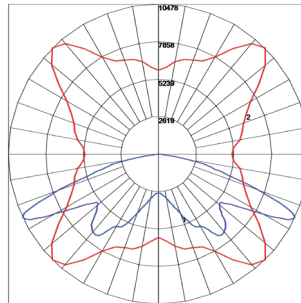


—: Vertical plane through horizontal angle of maximum candlepower at 50°
—: Vertical plane through horizontal angle 69°

EALS03
SYMMETRIC MEDIUM
(K5SM750)
30000 Lumens
5000k
EALS03_K5SM750_____IES

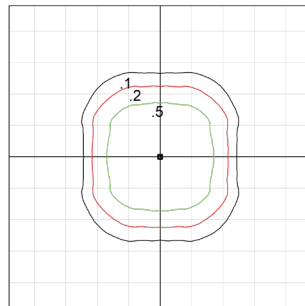


Grid Distance in Units of Mounting Height
at 40' Initial Footcandle Values at Grade

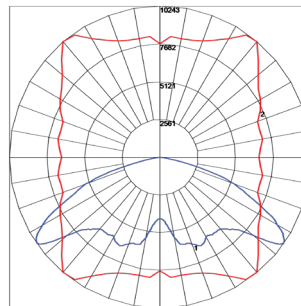


—: Vertical plane through horizontal angle of maximum candlepower at 45°
—: Vertical plane through horizontal angle 65°

EALS03
SYMMETRIC WIDE
(K5SW750)
30300 Lumens
5000k
EALS03_K5SW750_____IES



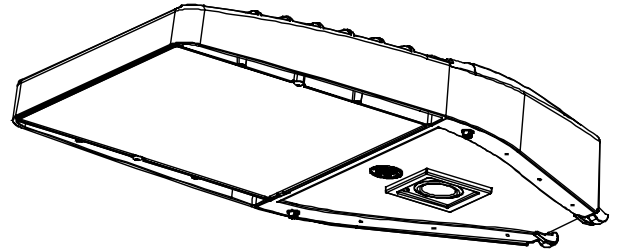
Grid Distance in Units of Mounting Height
at 40' Initial Footcandle Values at Grade



—: Vertical plane through horizontal angle of maximum candlepower at 50°
—: Vertical plane through horizontal angle 55°

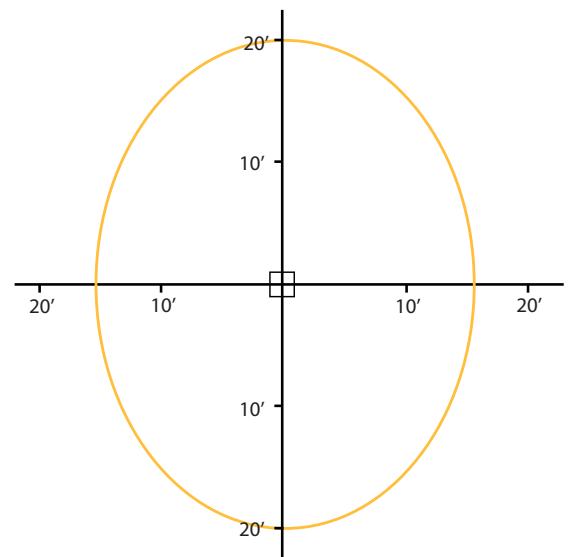
H-Motion Sensing Option

- Recommended Mounting Height: 15-30' (4.6-9.1m)
- For mounting heights exceeding 30 ft., pole mounted sensors are recommended
- Coverage Radius: 15-20' (4.6-6.1 m).
- Provides 270 degree of coverage (approx 90 is blocked by the pole)
- Default Settings:
 - Output: Occupied - 100%/Unoccupied - 50%
 - Integral PE Sensor.
 - 5 minute post-occupancy time delay, 5 minute dimming ramp-down.
- Fixture power increase of 1W expected with sensor use.



H1/4 - Motion Sensing Option (WattStopper)

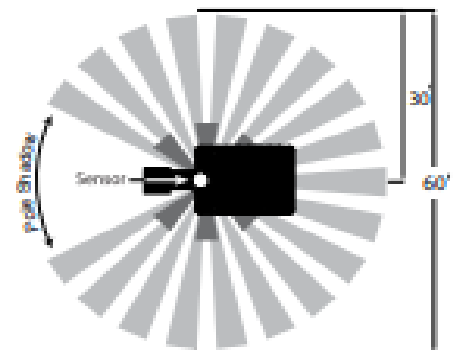
- Recommended Mounting Height: 15-30' (4.6-9.1m)
- For mounting heights exceeding 30 ft., pole mounted sensors are recommended
- Coverage Radius: 15-20' (4.6-6.1 m).
- Provides 270 degree of coverage (approx 90 is blocked by the pole)
- Default Settings:
 - Output Occupied - 100% / Unoccupied - 10%
 - PE Sensor: Disabled
 - Ramp/Fade: Disabled
- Adds < 1W to fixture power rating
- Field programmable using FSIR-100 hand held programmer



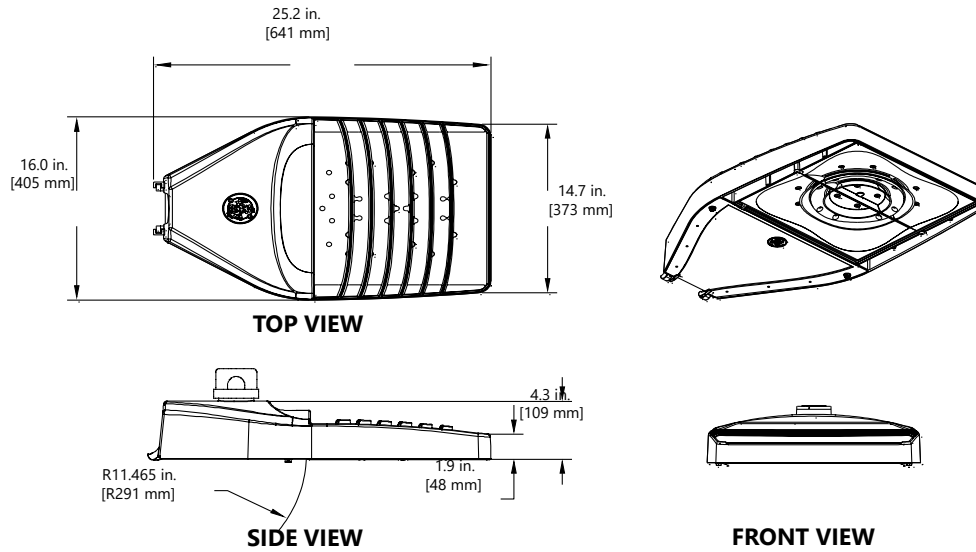
H2 - Motion Sensing Option (Daintree)

- Recommended Mounting Height: 15-30' (4.6-9.1m)
- For mounting heights exceeding 30 ft., pole mounted sensors are recommended
- Provides a coverage area radius for walking motion of 15-20 ft. (4.57-6.10m)
- Provides 270 degree of coverage (approx 90 is blocked by the pole)
- Default Settings:
 - Output: Occupied - 100%/Unoccupied - 50%
 - PE Sensor: None
 - Ramp/Fade: 5 Minutes/5 Minutes
- Adds < 1W to fixture power rating
- Requires Daintree Enterprise and wide area control (WAC)

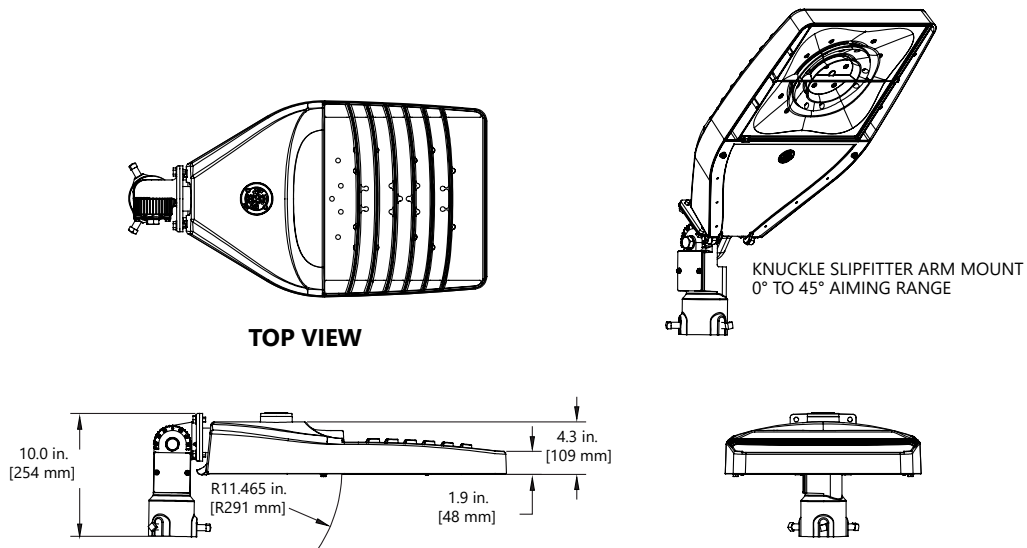
Sensing Pattern Area Fixture
Up to 30 ft. Mounting Height



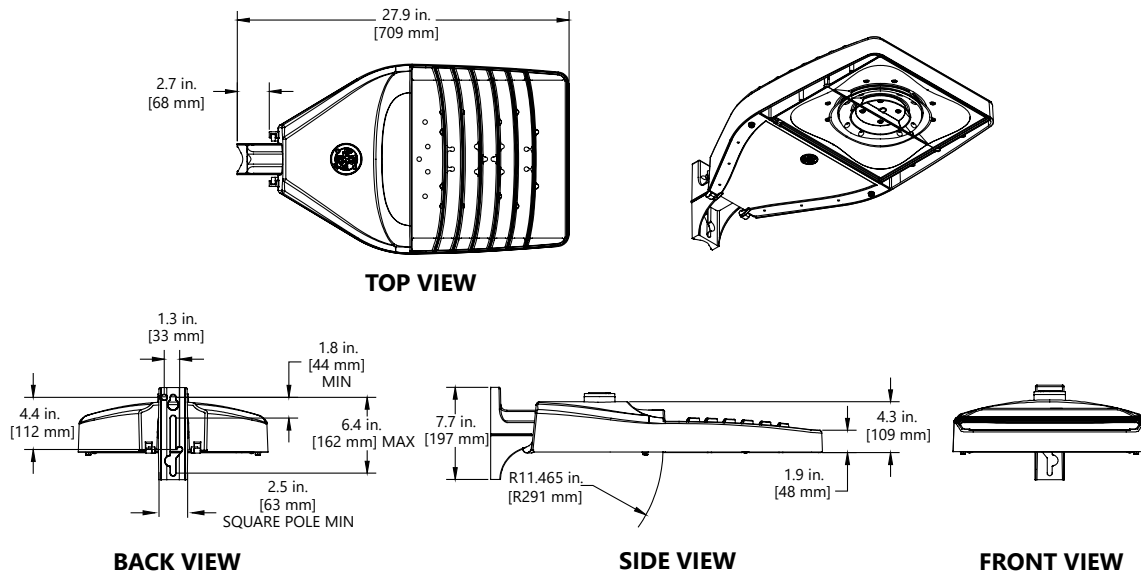
INTEGRAL SLIPFITTER: C1



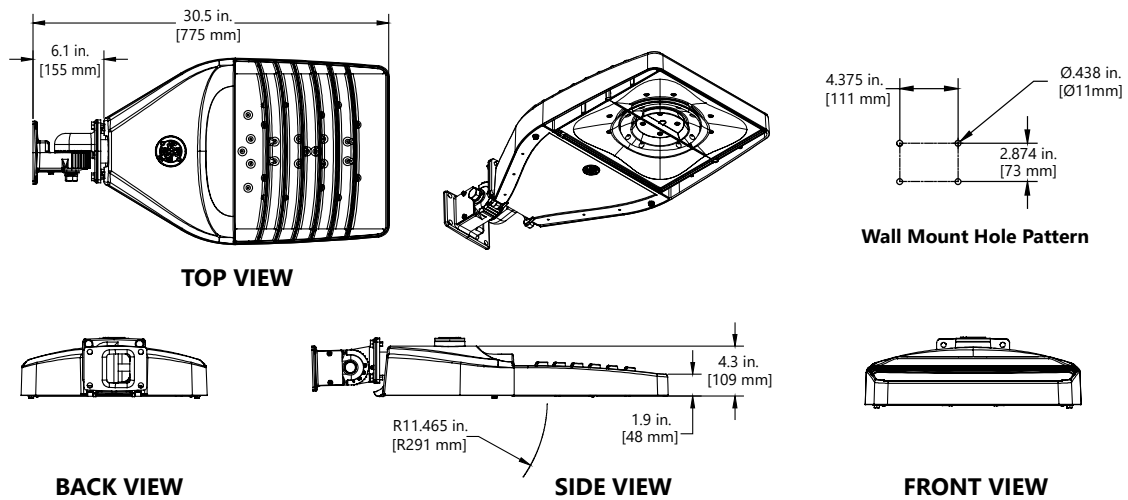
KNUCKLE SLIPFITTER: S1



UNIVERSAL ARM MOUNT: D1



KNUCKLE WALL MOUNT: V1



DATA

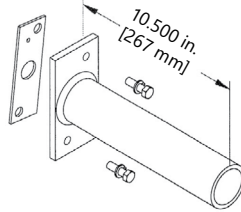
- Approximate Net Weight: 26-28 lbs (11.79 kgs-12.97 kgs)
- Effective Projected Area (EPA):
 - Knuckle Slipfitter S1, 45° aim, EPA = 2.45
 - Knuckle w/Slipfitter S1, downward aim, EPA = 0.73
 - Universal Arm Mount D1, EPA = 0.54
 - Knuckle Wall Mount V1, 45° aim, EPA = 0.77 sq ft min and 1.43 sq ft max
 - Integral Slipfitter C1, EPA = 0.63

Mounting Arms for Slipfitter

Order separately with Mounting Option C1 (Slipfitter)

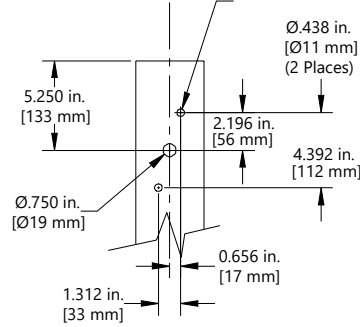
SQUARE POLE MOUNTING ARM

3.5 TO 4.5-inch (89 to 114mm) SQUARE
(WILL ALLOW 4 FIXTURES PER POLE @ 90 DEGREES.)



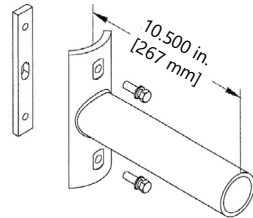
ORDER SEPARATELY FROM FIXTURE AS CATALOG NUMBER
SPA-EAMT10BLCK "Black"
SPA-EAMT10DKBZ "Dark Bronze"

SQUARE POLE MOUNTING DRILLING TEMPLATE



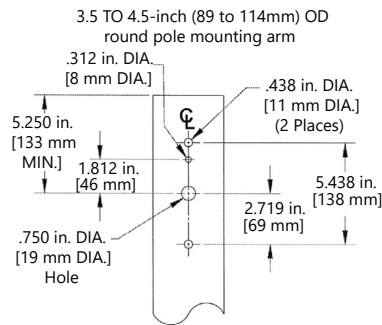
ROUND POLE MOUNTING ARMDRILLING TEMPLATE

3.5 TO 4.5-inch (89 to 114mm) OD
(WILL ALLOW 4 FIXTURES PER POLE @ 90 DEGREES.)



ORDER SEPARATELY FROM FIXTURE AS CATALOG NUMBER
RPA-EAMT10BLCK "Black"
RPA-EAMT10DKBZ "Dark Bronze"

ROUND POLE MOUNTING DRILLING TEMPLATE



Wall Mounting Bracket Adapter Plate

ORDER SEPARATELY FROM FIXTURE AS CATALOG NUMBER
WMB-EAMT06

*NOTE: For Wall Mounting, order luminaire with mounting arm: C1 = Slipfitter 2" Pipe (2.378 in. OD) supplied with leads.

**Other mounting patterns are available for retrofit installations.
Contact manufacturing for other available mounting patterns.**

SAP NUMBER	PART NUMBER	DESCRIPTION	SAP NUMBER	PART NUMBER	DESCRIPTION
93123552	WANSI - 277	ANSI 136.41 Dimming PE Daintree Enable, 105-305V	28299	PECOTL	Standard 120-277V
93123553	WANSI - 480	ANSI 136.41 Dimming PE Daintree Enable, 312-530V	28294	PEC5TL	Standard 480V
93029237	PED-MV-LED-7	ANSI C136.41 Dimming PE, 120-277V	80436	PECDTL	Standard 347V
93029238	PED-347-LED-7	ANSI C136.41 Dimming PE, 347V	93147530	PECHTL	Long Life Standard PE, 347-480V
93029239	PED-480-LED-7	ANSI C136.41 Dimming PE, 480V	73251	SCCL-PECTL	Shorting Cap

PE Accessories (to be ordered separately)