



CUSTOMER NAME _____

PROJECT NAME _____

DATE _____ TYPE _____

CATALOG NUMBER _____

EALS Series LED Outdoor Area Light

The EALS Area Light luminaire offers a wide range of optical patterns, color temperatures, lumen packages and mounting configurations to optimize area light applications, as well as provide versatility in lighting design within one form-factor. They are ideal for commercial property site-lighting applications such as retail and commercial exteriors.

Construction

| | |
|-----------------|---|
| Housing: | Aluminum die cast enclosure. Integral heat sink for maximum heat transfer |
| Lens: | Impact resistant tempered glass |
| Paint: | Corrosion resistant polyester powder paint, minimum 2.0 mil thickness Standard = Black, Dark Bronze Gray, White (RAL & custom colors available) Optional = Coastal Finish |
| Weight: | 27 lbs |

Optical System

| | |
|--|----------------------------|
| Lumens: | 7,000 - 50,000 |
| Photometry: | Type II, III, IV & V |
| Efficacy: | 118-177LPW |
| CCT: | 2700K, 3000K, 4000K, 5000K |
| CRI: | ≥70 |
| Upward Light Output Ratio (ULOR): | 0 Horizontal Orientation |

Electrical

| | |
|---|-------------------------------|
| Input Voltage: | 120-277V, 277-480V & 347-480V |
| Input Frequency: | 50/60 Hz |
| Power Factor (PH): | ≥ 0.9 at rated watts |
| Total Harmonic Distortion (THD): | ≤ 20% at rated watts |

Surge Protection

| | | |
|---------|----------|-----------|
| 6kV/3kA | 10kV/5kA | 20kV/10kA |
|---------|----------|-----------|

Per ANSI C136.2-2023



BABA compliant configurations available. Please contact factory to verify if specific configuration is compliant

Lumen Maintenance

Projected Lxx per IES TM-21-11 at 25°C

| OPTICS | LXX(H0K) @ HOURS | | |
|--|------------------|-----------|-----------|
| | 25,000 HR | 50,000 HR | 60,000 HR |
| C2, C3, C4, C5 D2, D3, D4, D5 F2, F3, F4, F5 | L99 | L97 | L96 |
| H2, H3, H4, H5 J2, J3, J4, J5 K2, K3, K4, K5 | L98 | L96 | L96 |
| L2, L3, L4, L5 M2, M3, M4, M5 | L97 | L95 | L94 |
| N2, N3, N4, N5 | L96 | L93 | L92 |

Note: Projected Lxx based on LM80 (= 17,000 hour testing). Accepted industry tolerances apply to initial luminous flux and lumen maintenance measurements

Luminaire Ambient Temperature Factor

| AMBIENT TEMP (°C) | INITIAL FLUX FACTOR | AMBIENT TEMP (°C) | INITIAL FLUX FACTOR |
|-------------------|---------------------|-------------------|---------------------|
| 10 | 1.02 | 30 | 0.99 |
| 20 | 1.01 | 40 | 0.98 |
| 25 | 1.00 | | |

Ratings

| | |
|-------------------------------|--|
| Operating Temperature: | -40°C to 50°C (Nx Optic Codes are -40°C to 40°C) |
| Vibration: | 3G per ANSI C136.31-2010 |
| LM-79: | Testing in accordance with IESNA Standards |

Controls

| | |
|-----------------|--|
| Dimming: | Standard - 0-10V Optional - DALI (Option U) |
| Sensors: | Photo Electric Sensors (PE) available LightGrid+™ and Daintree Compatible |

Warranty

5 Year (Standard)

10 Year (Optional)

CUSTOMER NAME _____

PROJECT NAME _____

DATE _____ TYPE _____

CATALOG NUMBER _____

Ordering Information

EALS 04 _____ 7 _____

| PRODUCT ID | GENERATION | VOLTAGE | OPTICAL CODE | DISTRIBUTION | CRI | CCT | DIMMING ² | CONTROLS | MOUNTING ARM | COLOR | OPTIONS |
|---|------------|---|--|---|--------------|--|--|--|---|---|--|
| E= Evolve AL= Area Light S = Standard | 04 | 0 ¹ =120-277V H ¹ = 347-480V E ^{1,9} = 277-480V 1 = 120V 2 = 208V 3 = 240V 4 =277V D = 347V 5 = 480V | Cx =7500 ^{3,13} Dx = 10000 lm ^{3,13} Fx = 15000 lm Hx = 20000 lm Jx = 25000 lm Kx = 30000 lm Lx = 35000 lm Mx = 40000 lm Nx = 50000 lm | SM = Symmetric Medium SW = Symmetric Wide SH = Symmetric High Angle AF = Asymmetric Forward AH = Asymmetric High Angle AW = Asymmetric Wide AN = Asymmetric Narrow/Auto | 7 = 70 (min) | 27 ¹¹ = 2700K 30 ¹¹ = 3000K 40 = 4000K 50 = 5000K | N = Dimming thru PE receptacle D = External Dimming 18/2 3 ft Cable | A = ANSI C136.41 7-Pin Receptacle (No Control) D = ANSI C136.417-Pin Receptacle with Shorting Cap E ³ = ANSI C136.41 7-pin with Non-Dimming PE Control | C1 ⁴ = Integral Slipfitter: Standard D1 ^{5, 15} = Universal Mounting Arm: Fitted for round or square pole mounting 4" min. square poles. K1 ^{4,6} = Knuckle Slipfitter: For 1.9 in. - 2.3 in OD Tenon S1 ^{4,6} = Knuckle Slipfitter: For 2.3 in. - 3.0 in OD Tenon V1 ^{4,6} = Knuckle Wall Mount | BLCK = Black DKBZ = Dark Bronze GRAY = Gray WHTE = White | F= Fusing H2 = Daintree (WHS-100) enabled motion sensor ^{8, 14} H4 = Motion Sensor (WattStopper) J = cUL/Canada L = Tool-Less Entry R = Enhanced Surge Protection (10kV/5kA) S1 ¹² = Rotated Left S2 ¹² = Rotated Right T = Extreme Surge Protection (20kV/10kA) U ⁷ = DALI Programmable V0 = 3 Position Terminal Block Y ¹⁰ = Coastal Finish XXX = Special Options |

¹ Not Available with Fusing, Must Choose a Discrete Voltage with "F" Option Code
² Note Standard Dimming is 0-10V
³ Not available in 277-480V
⁴ Supplied with 3ft leads
⁵ Supplied with 16/3 ft Cable
⁶ Restricted Aiming Angle of 0-45°
⁷ Compatible with LightGrid+™ Wireless Control Nodes, Not Compatible with Motion Sensor Control
⁸ Not available in 347V, 480V or 347-480V
⁹ Only available with F, H, J, K, L, M, N optics
¹⁰ Recommended for installations within 750 feet from coast. Lead time varies, check with factory.
¹¹ Select 2700K or 3000K CCT for DarkSky Approved fixtures.
¹² For aimed left or right light distribution orientation, as assembled in manufacturing. Not applicable for Symmetric Distributions
¹³ DALI option not available with 347V, 480V, or 347-480V
¹⁴ Not available with 20kV/10kA SPD
¹⁵ When mounting fixtures at 90 degrees, round pole must be 3.5" OD minimum

CUSTOMER NAME _____

PROJECT NAME _____

DATE _____ TYPE _____

CATALOG NUMBER _____

| TYPE | OPTIC CODE | DISTRIBUTION | TYPICAL INITIAL LUMENS | | | TYPICAL SYSTEM WATTAGE | | BUG RATINGS | | |
|--------|------------|---------------------------|------------------------|-------|---------------|------------------------|----------|-------------|----------|--------------|
| | | | 2700K | 3000K | 4000K & 5000K | 120-277 | 347-480V | 2700K | 3000K | 4000 & 5000K |
| | | | | | | | | B-U-G | B-U-G | B-U-G |
| TYPE V | C5 | Symmetric Medium (SM) | 6800 | 7340 | 7730 | 45 | 47 | B3-U0-G1 | B3-U0-G1 | B3-U0-G1 |
| | D5 | | 9060 | 9790 | 10300 | 61 | | B3-U0-G2 | B3-U0-G2 | B3-U0-G2 |
| | F5 | | 13600 | 14680 | 15450 | 91 | | B4-U0-G2 | B4-U0-G2 | B4-U0-G2 |
| | H5 | | 18130 | 19570 | 20600 | 123 | | B4-U0-G2 | B4-U0-G2 | B4-U0-G2 |
| | J5 | | 22660 | 24460 | 25750 | 156 | | B4-U0-G2 | B5-U0-G3 | B5-U0-G3 |
| | K5 | | 27190 | 29360 | 30900 | 191 | | B5-U0-G3 | B5-U0-G3 | B5-U0-G3 |
| | L5 | | 31720 | 34250 | 36050 | 231 | | B5-U0-G3 | B5-U0-G3 | B5-U0-G4 |
| | M5 | | 36260 | 39140 | 41200 | 273 | | B5-U0-G4 | B5-U0-G4 | B5-U0-G4 |
| | N5 | | 45320 | 48930 | 51500 | 372 | | B5-U0-G4 | B5-U0-G4 | B5-U0-G4 |
| | C5 | Symmetric Wide (SW) | 6930 | 7480 | 7880 | 45 | 47 | B3-U0-G1 | B3-U0-G1 | B3-U0-G1 |
| | D5 | | 9240 | 9980 | 10500 | 61 | | B3-U0-G1 | B3-U0-G1 | B3-U0-G1 |
| | F5 | | 13860 | 14960 | 15750 | 91 | | B3-U0-G2 | B3-U0-G2 | B3-U0-G2 |
| | H5 | | 18480 | 19950 | 21000 | 123 | | B4-U0-G2 | B4-U0-G2 | B4-U0-G2 |
| | J5 | | 23100 | 24940 | 26250 | 156 | | B4-U0-G2 | B4-U0-G2 | B4-U0-G2 |
| | K5 | | 27720 | 29930 | 31500 | 191 | | B4-U0-G2 | B4-U0-G2 | B5-U0-G2 |
| | L5 | | 32340 | 34910 | 36750 | 231 | | B5-U0-G2 | B5-U0-G3 | B5-U0-G3 |
| | M5 | | 36960 | 39900 | 42000 | 273 | | B5-U0-G3 | B5-U0-G3 | B5-U0-G3 |
| | N5 | | 46200 | 49880 | 52500 | 372 | | B5-U0-G3 | B5-U0-G3 | B5-U0-G4 |
| | C5 | Symmetric High Angle (SH) | 6600 | 7130 | 7500 | 45 | 47 | B3-U0-G1 | B3-U0-G2 | B3-U0-G2 |
| | D5 | | 8800 | 9500 | 10000 | 61 | | B3-U0-G2 | B3-U0-G2 | B4-U0-G2 |
| | F5 | | 13200 | 14250 | 15000 | 91 | | B4-U0-G2 | B4-U0-G2 | B4-U0-G2 |
| | H5 | | 17600 | 19000 | 20000 | 123 | | B4-U0-G3 | B4-U0-G3 | B5-U0-G3 |
| | J5 | | 22000 | 23750 | 25000 | 156 | | B5-U0-G3 | B5-U0-G3 | B5-U0-G3 |
| | K5 | | 26400 | 28500 | 30000 | 191 | | B5-U0-G3 | B5-U0-G3 | B5-U0-G4 |
| L5 | 30800 | | 33250 | 35000 | 231 | | B5-U0-G4 | B5-U0-G4 | B5-U0-G4 | |
| M5 | 35200 | | 38000 | 40000 | 273 | | B5-U0-G4 | B5-U0-G4 | B5-U0-G4 | |
| N5 | 44000 | | 47500 | 50000 | 372 | | B5-U0-G4 | B5-U0-G5 | B5-U0-G5 | |

For additional information on Non-Shielded and Shielded EALS files, please refer to LED.com

CUSTOMER NAME _____

PROJECT NAME _____

DATE _____ TYPE _____

CATALOG NUMBER _____

| TYPE | OPTIC CODE | DISTRIBUTION | TYPICAL INITIAL LUMENS | | | TYPICAL SYSTEM WATTAGE | | BUG RATINGS | | |
|----------|------------|-----------------------------|------------------------|-------|---------------|------------------------|----------|-------------|----------|--------------|
| | | | 2700K | 3000K | 4000K & 5000K | 120-277 | 347-480V | 2700K | 3000K | 4000 & 5000K |
| | | | | | | | | B-U-G | B-U-G | B-U-G |
| TYPE IV | C4 | Asymmetric Forward (AF) | 6800 | 7340 | 7730 | 46 | 48 | B1-U0-G2 | B2-U0-G2 | B2-U0-G2 |
| | D4 | | 9060 | 9790 | 10300 | 63 | | B2-U0-G2 | B2-U0-G2 | B2-U0-G2 |
| | F4 | | 13600 | 14680 | 15450 | 96 | | B2-U0-G2 | B3-U0-G3 | B3-U0-G3 |
| | H4 | | 18130 | 19570 | 20600 | 123 | | B3-U0-G3 | B3-U0-G3 | B3-U0-G3 |
| | J4 | | 22660 | 24460 | 25750 | 156 | | B3-U0-G4 | B3-U0-G4 | B3-U0-G4 |
| | K4 | | 27190 | 29360 | 30900 | 191 | | B3-U0-G4 | B3-U0-G4 | B3-U0-G4 |
| | L4 | | 31720 | 34250 | 36050 | 231 | | B3-U0-G4 | B3-U0-G4 | B3-U0-G5 |
| | M4 | | 36260 | 39140 | 41200 | 273 | | B3-U0-G5 | B4-U0-G5 | B4-U0-G5 |
| | N4 | 45320 | 48930 | 51500 | 372 | | B4-U0-G5 | B4-U0-G5 | B4-U0-G5 | |
| | C4 | Asymmetric High Angle (AH) | 6600 | 7130 | 7500 | 46 | 48 | B2-U0-G2 | B2-U0-G2 | B2-U0-G2 |
| | D4 | | 8800 | 9500 | 10000 | 63 | | B2-U0-G2 | B2-U0-G2 | B2-U0-G3 |
| | F4 | | 13200 | 14250 | 15000 | 96 | | B3-U0-G3 | B3-U0-G3 | B3-U0-G3 |
| | H4 | | 17600 | 19000 | 20000 | 123 | | B3-U0-G4 | B3-U0-G4 | B3-U0-G4 |
| | J4 | | 22000 | 23750 | 25000 | 156 | | B3-U0-G4 | B3-U0-G4 | B3-U0-G4 |
| | K4 | | 26400 | 28500 | 30000 | 191 | | B3-U0-G4 | B3-U0-G5 | B4-U0-G5 |
| | L4 | | 30800 | 33250 | 35000 | 231 | | B4-U0-G5 | B4-U0-G5 | B4-U0-G5 |
| M4 | 35200 | | 38000 | 40000 | 273 | | B4-U0-G5 | B4-U0-G5 | B4-U0-G5 | |
| N4 | 44000 | 47500 | 50000 | 372 | | B4-U0-G5 | B4-U0-G5 | B4-U0-G5 | | |
| TYPE III | C3 | Asymmetric Wide (AW) | 6930 | 7480 | 7880 | 46 | 48 | B1-U0-G1 | B2-U0-G2 | B2-U0-G2 |
| | D3 | | 9240 | 9980 | 10500 | 63 | | B2-U0-G2 | B2-U0-G2 | B2-U0-G2 |
| | F3 | | 13860 | 14960 | 15750 | 96 | | B2-U0-G2 | B2-U0-G2 | B2-U0-G2 |
| | H3 | | 18480 | 19950 | 21000 | 123 | | B3-U0-G3 | B3-U0-G3 | B3-U0-G3 |
| | J3 | | 23100 | 24940 | 26250 | 156 | | B3-U0-G3 | B3-U0-G3 | B3-U0-G3 |
| | K3 | | 27720 | 29930 | 31500 | 191 | | B3-U0-G3 | B3-U0-G3 | B3-U0-G4 |
| | L3 | | 32340 | 34910 | 36750 | 231 | | B3-U0-G4 | B3-U0-G4 | B4-U0-G4 |
| | M3 | | 36960 | 39900 | 42000 | 273 | | B4-U0-G4 | B4-U0-G4 | B4-U0-G4 |
| N3 | 46200 | 49880 | 52500 | 372 | | B4-U0-G4 | B4-U0-G5 | B4-U0-G5 | | |
| TYPE II | C2 | Asymmetric Narrow/Auto (AN) | 7190 | 7770 | 8180 | 46 | 48 | B2-U0-G2 | B2-U0-G2 | B2-U0-G2 |
| | D2 | | 9590 | 10360 | 10900 | 63 | | B2-U0-G2 | B2-U0-G2 | B2-U0-G2 |
| | F2 | | 14390 | 15530 | 16350 | 96 | | B3-U0-G3 | B3-U0-G3 | B3-U0-G3 |
| | H2 | | 19180 | 20710 | 21800 | 123 | | B3-U0-G3 | B3-U0-G3 | B3-U0-G3 |
| | J2 | | 23980 | 25890 | 27250 | 156 | | B3-U0-G3 | B3-U0-G3 | B3-U0-G3 |
| | K2 | | 28780 | 31070 | 32700 | 191 | | B3-U0-G3 | B4-U0-G4 | B4-U0-G4 |
| | L2 | | 33570 | 36240 | 38150 | 231 | | B4-U0-G4 | B4-U0-G4 | B4-U0-G4 |
| | M2 | | 38370 | 41420 | 43600 | 273 | | B4-U0-G4 | B4-U0-G4 | B4-U0-G4 |
| N2 | 47960 | 51780 | 54500 | 372 | | B4-U0-G4 | B4-U0-G4 | B4-U0-G4 | | |

For additional information on Non-Shielded and Shielded EALS files, please refer to LED.com

CUSTOMER NAME _____

PROJECT NAME _____

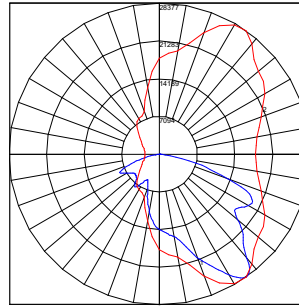
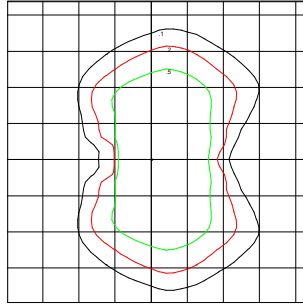
DATE _____ TYPE _____

CATALOG NUMBER _____

**EALS04
N2AN**

**54,500 Lumens
5000k**

EALS04_N2AN750_.....IES



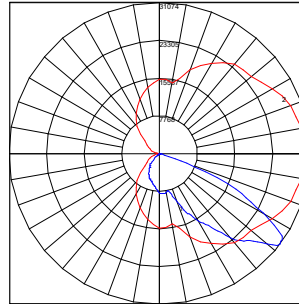
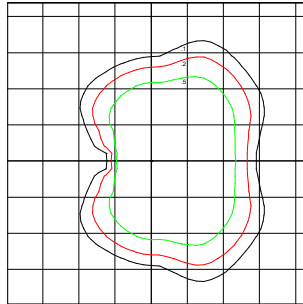
- Mounting Height at 40'
- Initial Footcandle at Grade

- Vertical Plane Through Horizontal Angles (55 - 235) (Through Max. Cd.)
- Horizontal Cone Through Vertical Angle (35) (Through Max. Cd.)

**EALS04
N3AW750**

**52,500 Lumens
5000k**

EALS04_N3AW750_.....IES



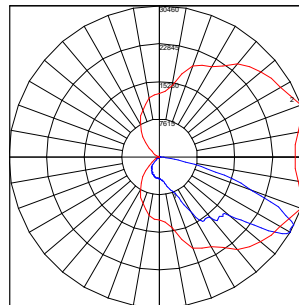
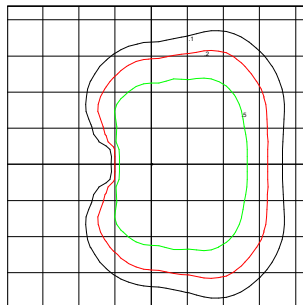
- Mounting Height at 40'
- Initial Footcandle at Grade

- Vertical Plane Through Horizontal Angles (0 - 180) (Through Max. Cd.)
- Horizontal Cone Through Vertical Angle (53) (Through Max. Cd.)

**EALS04
N4AF750**

**51,500 Lumens
5000k**

EALS04_N4AF750_.....IES



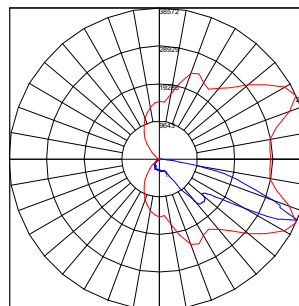
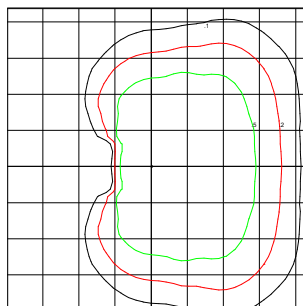
- Mounting Height at 40'
- Initial Footcandle at Grade

- Vertical Plane Through Horizontal Angles (20 - 200) (Through Max. Cd.)
- Horizontal Cone Through Vertical Angle (63) (Through Max. Cd.)

**EALS04
N4AH750**

**50,000 Lumens
5000k**

EALS04_N4AH750_.....IES



- Mounting Height at 40'
- Initial Footcandle at Grade

- Vertical Plane Through Horizontal Angles (25 - 205) (Through Max. Cd.)
- Horizontal Cone Through Vertical Angle (66) (Through Max. Cd.)

CUSTOMER NAME _____

PROJECT NAME _____

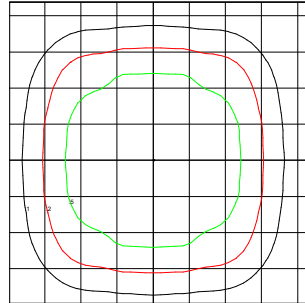
DATE _____ TYPE _____

CATALOG NUMBER _____

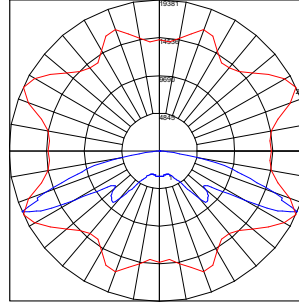
**EALS04
N5SH750**

**50,000 Lumens
5000k**

EALS04_N5SH750_.....IES



- Mounting Height at 40'
- Initial Footcandle at Grade

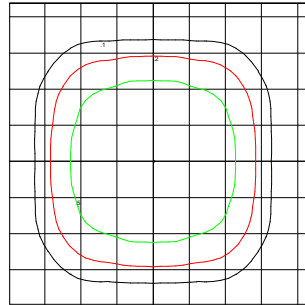


- Vertical Plane Through Horizontal Angles (25 - 205) (Through Max. Cd.)
- Horizontal Cone Through Vertical Angle (66) (Through Max. Cd.)

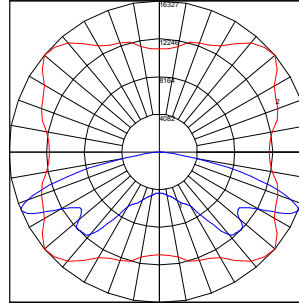
**EALS04
N5SM750**

**51,500 Lumens
5000k**

EALS04_N5SM750_.....IES



- Mounting Height at 40'
- Initial Footcandle at Grade

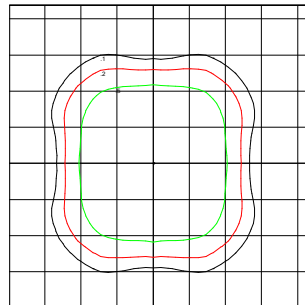


- Vertical Plane Through Horizontal Angles (40 - 220) (Through Max. Cd.)
- Horizontal Cone Through Vertical Angle (67) (Through Max. Cd.)

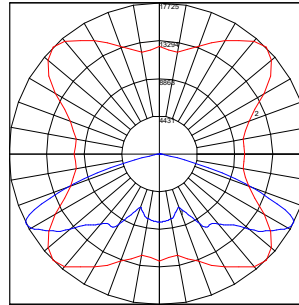
**EALS04
N5SW750**

**52,500 Lumens
5000k**

EALS04_N5SW750_.....IES



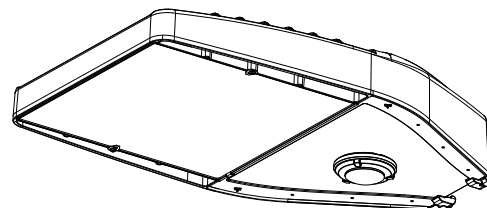
- Mounting Height at 40'
- Initial Footcandle at Grade



- Vertical Plane Through Horizontal Angles (45 - 225) (Through Max. Cd.)
- Horizontal Cone Through Vertical Angle (63) (Through Max. Cd.)

H4 - Motion Sensing Option (WattStopper)

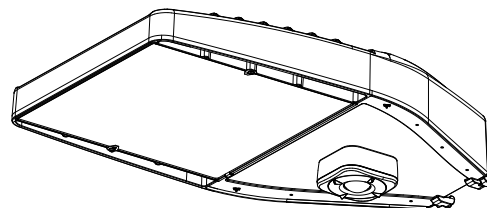
- Recommended Mounting Height: 15-30' (4.6-9.1m)
- For mounting heights exceeding 30 ft., pole mounted sensors are recommended
- Coverage Radius: 15-20' (4.6-6.1 m).
- Provides 270 degree of coverage (approx 90 is blocked by the pole)
- Default Settings:
 - Output Occupied – 100% / Unoccupied – 10%
 - PE Sensor: Disabled
 - Ramp/Fade: Disabled
- Adds < 1W to fixture power rating
- Field programmable using FSIR-100 hand held programmer



H4 (WattStopper)

H2 - Motion Sensing Option (Daintree WHS-100)

- Recommended Mounting Height: 15-30' (4.6-9.1m)
- For mounting heights exceeding 30 ft., pole mounted sensors are recommended
- Provides a coverage area radius for walking motion of 15-20 ft. (4.57-6.10m)
- Provides 270 degree of coverage (approx 90 is blocked by the pole)
- Default Settings:
 - Output: Occupied - 100%/Unoccupied - 50%
 - PE Sensor: None
 - Ramp/Fade: 5 Minutes/5 Minutes
- Adds < 1W to fixture power rating
- Requires Daintree Enterprise and wide area control (WAC)



H2 (Daintree)

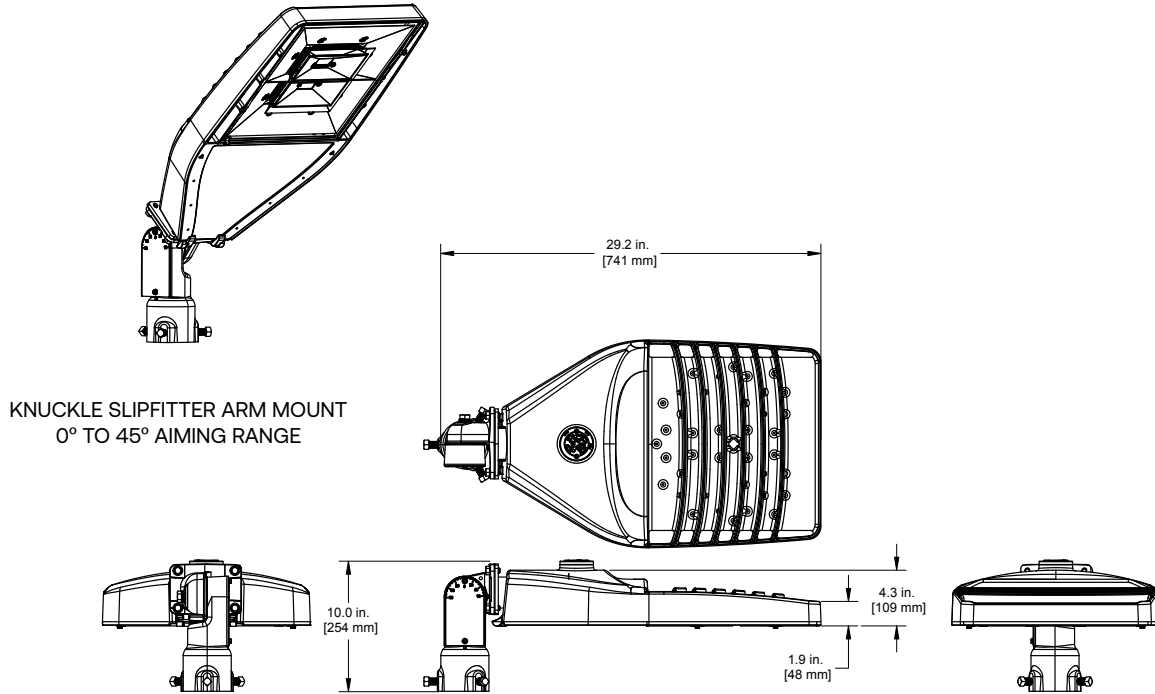
CUSTOMER NAME _____

PROJECT NAME _____

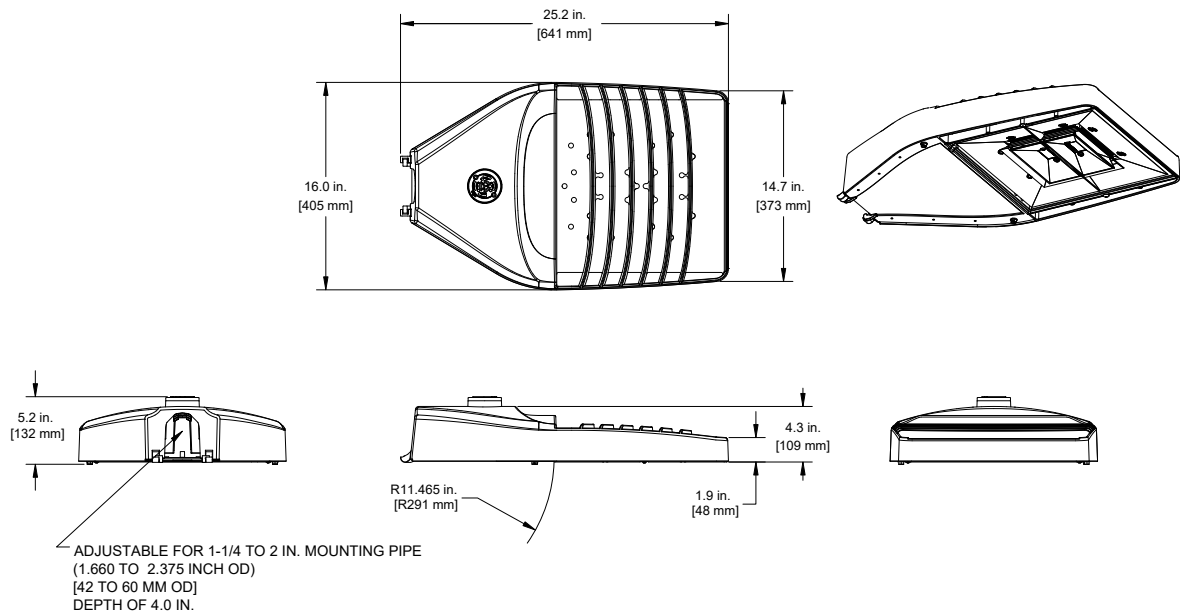
DATE _____ TYPE _____

CATALOG NUMBER _____

KNUCKLE SLIPFITTER: S1



INTEGRAL SLIPFITTER: C1



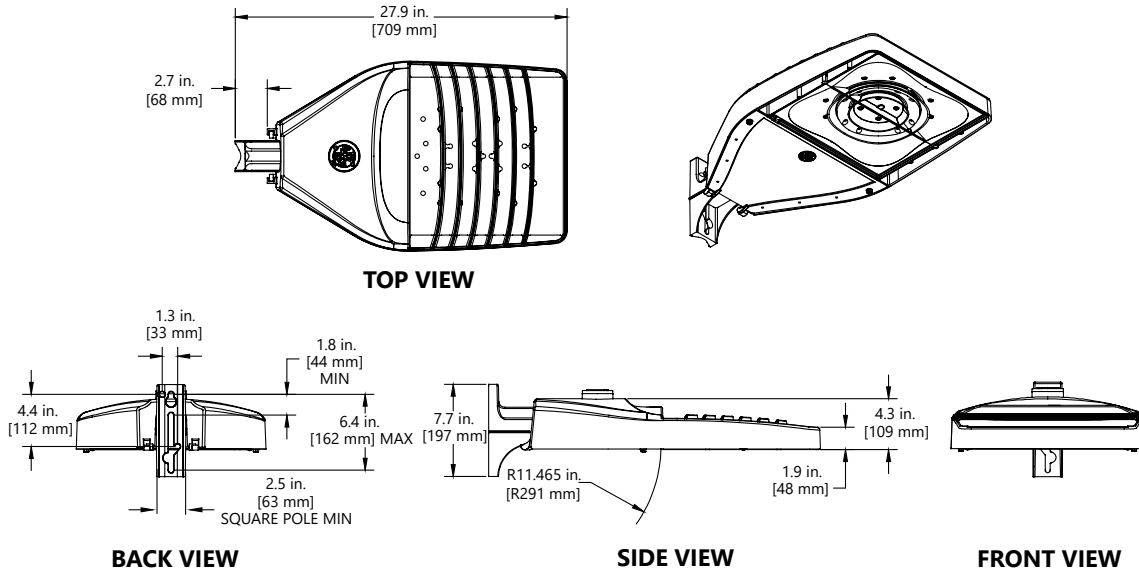
CUSTOMER NAME _____

PROJECT NAME _____

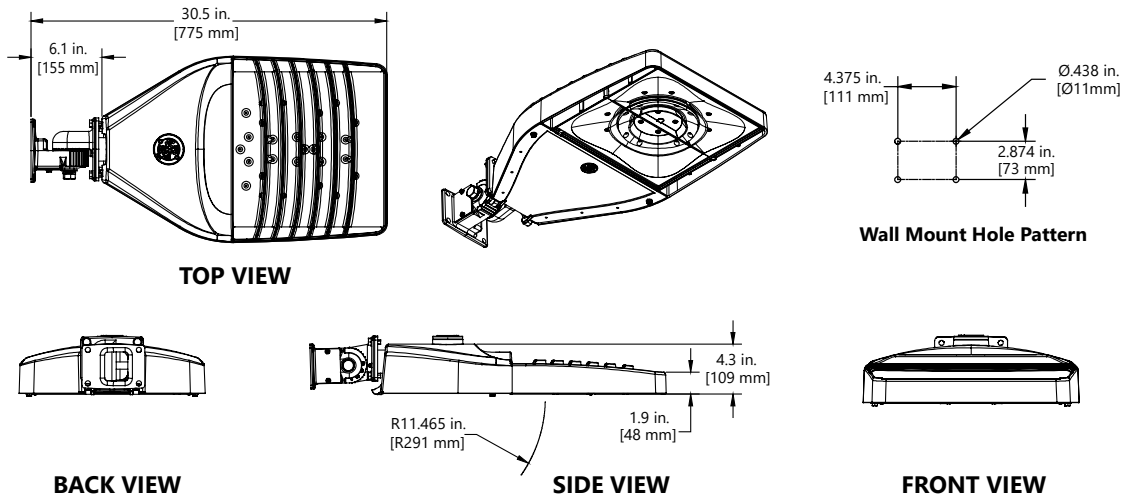
DATE _____ TYPE _____

CATALOG NUMBER _____

UNIVERSAL ARM MOUNT: D1



KNUCKLE WALL MOUNT: V1



DATA

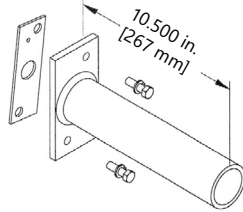
- Approximate Net Weight: 26-28 lbs (11.79 kgs-12.97 kgs)
- Effective Projected Area (EPA):
 - Knuckle Slipfitter K1, S1, V1 aimed at 45°: EPA = 2.45 sq ft
 - Knuckle w/Slipfitter K1, S1, V1 aimed at 0° downward: EPA = 0.79 sq ft
 - Universal Arm Mount D1: EPA = 0.63 sq ft
 - Integral Slipfitter C1: EPA = 0.55 sq ft

Mounting Arms for Slipfitter

Order separately with Mounting Option C1 (Slipfitter)

SQUARE POLE MOUNTING ARM

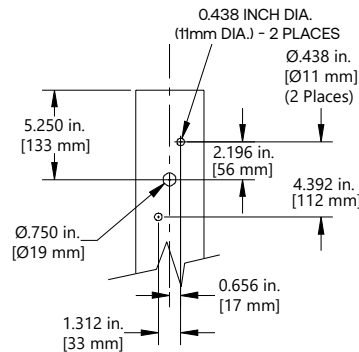
4.0 inch (102mm) SQUARE
(WILL ALLOW 4 FIXTURES PER POLE @ 90 DEGREES.)



ORDER SEPARATELY FROM FIXTURE AS CATALOG NUMBER
SPA-EAMT10BLCK "Black"
SPA-EAMT10DKBZ "Dark Bronze"

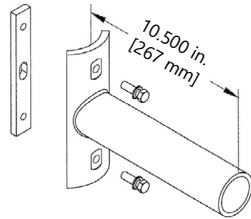
SQUARE POLE MOUNTING DRILLING TEMPLATE

Compatible with E2 Evolve Drill Pattern



ROUND POLE MOUNTING ARM

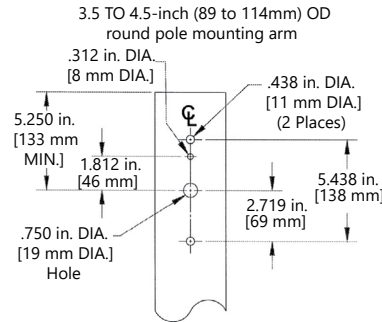
3.5 TO 4.5-inch (89 to 114mm) OD
(WILL ALLOW 4 FIXTURES PER POLE @ 90 DEGREES.)



ORDER SEPARATELY FROM FIXTURE AS CATALOG NUMBER
RPA-EAMT10BLCK "Black"
RPA-EAMT10DKBZ "Dark Bronze"

ROUND POLE MOUNTING DRILLING TEMPLATE

Compatible with E1 Evolve Drill Pattern



Wall Mounting Bracket Adapter Plate

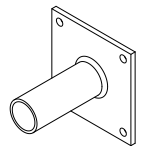
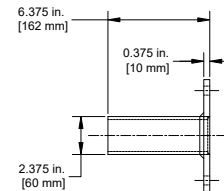
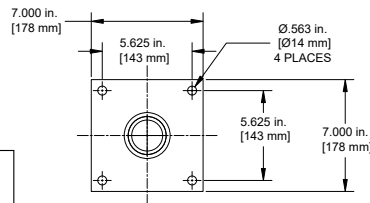
Order Separately from fixture as catalog number

WMB-EAMT06

*Note: For wall Mounting, order luminaire with mounting arm:

C1 = Slipfitter 2" Pip (2.378 in. OD) supplied with leads.

Other mounting patterns are available for retrofit installations. Contact manufacturing for other available mounting patterns.



| SAP NUMBER | PART NUMBER | DESCRIPTION |
|------------|---------------|-----------------------------------|
| 93029237G | PED-MV-LED-7 | ANSI C136.41 Dimming PE, 120-277V |
| 93029238G | PED-347-LED-7 | ANSI C136-41 Dimming PE, 347V |
| 93029239G | PED-480-LED-7 | ANSI C136-41 Dimming PE, 480V |
| 28299 | PECOTL | Long Life PE 120-277V |
| 93147530 | PECHTL | Long Life PE 347-480V |
| 73271 | SCCL-PECTL | Shorting Cap |

PE Accessories (to be ordered separately)