



CUSTOMER NAME _____

PROJECT NAME _____

DATE _____ TYPE _____

CATALOG NUMBER _____

EALS Series LED Outdoor Area Light

The EALS Area Light luminaire offers a wide range of optical patterns, color temperatures, lumen packages and mounting configurations to optimize area light applications, as well as provide versatility in lighting design within one form-factor. They are ideal for commercial property site-lighting applications such as retail and commercial exteriors.

Construction

Housing:	Aluminum die cast enclosure. Integral heat sink for maximum heat transfer
Lens:	Impact resistant tempered glass
Paint:	Corrosion resistant polyester powder paint, minimum 2.0 mil thickness Standard = Black, Dark Bronze Gray, White (RAL & custom colors available) Optional = Coastal Finish
Weight:	27 lbs

Optical System

Lumens:	7,000 - 50,000
Photometry:	Type II, III, IV & V
Efficacy:	118-177LPW
CCT:	2700K, 3000K, 4000K, 5000K
CRI:	≥70
Upward Light Output Ratio (ULOR):	0 Horizontal Orientation

Electrical

Input Voltage:	120-277V, 277-480V & 347-480V
Input Frequency:	50/60 Hz
Power Factor (PH):	≥ 0.9 at rated watts
Total Harmonic Distortion (THD):	≤ 20% at rated watts

Surge Protection

6kV/3kA	10kV/5kA	20kV/10kA
---------	----------	-----------

Per ANSI C136.2-2023

Lumen Maintenance

Projected Lxx per IES TM-21-11 at 25°C

OPTICS	LXX(H0K) @ HOURS		
	25,000 HR	50,000 HR	60,000 HR
C2, C3, C4, C5 D2, D3, D4, D5 F2, F3, F4, F5	L99	L97	L96
H2, H3, H4, H5 J2, J3, J4, J5 K2, K3, K4, K5	L98	L96	L96
L2, L3, L4, L5 M2, M3, M4, M5	L97	L95	L94
N2, N3, N4, N5	L96	L93	L92

Note: Projected Lxx based on LM80 (= 17,000 hour testing). Accepted industry tolerances apply to initial luminous flux and lumen maintenance measurements

Luminaire Ambient Temperature Factor

AMBIENT TEMP (°C)	INITIAL FLUX FACTOR	AMBIENT TEMP (°C)	INITIAL FLUX FACTOR
10	1.02	30	0.99
20	1.01	40	0.98
25	1.00		

Ratings

Operating Temperature:	-40°C to 50°C (Nx Optic Codes are -40°C to 40°C)
Vibration:	3G per ANSI C136.31-2010
LM-79:	Testing in accordance with IESNA Standards

Controls

Dimming:	Standard - 0-10V Optional - DALI (Option U)
Sensors:	Photo Electric Sensors (PE) available LightGrid+™ and Daintree Compatible

Warranty

5 Year (Standard)

10 Year (Optional)



CUSTOMER NAME _____

PROJECT NAME _____

DATE _____ TYPE _____

CATALOG NUMBER _____

Ordering Information

EALS 04 _____ 7 _____

PRODUCT ID	GENERATION	VOLTAGE	OPTICAL CODE	DISTRIBUTION	CRI	CCT	DIMMING ²	CONTROLS	MOUNTING ARM	COLOR	OPTIONS
E= Evolve AL= Area Light S = Standard	04	0 ¹ =120-277V H ¹ = 347-480V E ^{1,9} = 277-480V 1 = 120V 2 = 208V 3 = 240V 4 =277V D = 347V 5 = 480V	Cx =7500 ^{3,13} Dx = 10000 lm ^{3,13} Fx = 15000 lm Hx = 20000 lm Jx = 25000 lm Kx = 30000 lm Lx = 35000 lm Mx = 40000 lm Nx = 50000 lm	SM = Symmetric Medium SW = Symmetric Wide SH = Symmetric High Angle AF = Asymmetric Forward AH = Asymmetric High Angle AW = Asymmetric Wide AN = Asymmetric Narrow/Auto	7 = 70 (min)	27 ¹¹ = 2700K 30 ¹¹ = 3000K 40 = 4000K 50 = 5000K	N = Dimming thru PE receptacle D = External Dimming 18/2 3 ft Cable	A = ANSI C136.41 7-Pin Receptacle (No Control) D = ANSI C136.417-Pin Receptacle with Shorting Cap E ³ = ANSI C136.41 7-pin with Non-Dimming PE Control	C1 ⁴ = Integral Slipfitter: Standard D1 ^{4, 15} = Universal Mounting Arm: Fitted for round or square pole mounting 4" min. square poles. K1 ^{4, 6} = Knuckle Slipfitter: For 1.9 in. - 2.3 in OD Tenon S1 ^{4, 6} = Knuckle Slipfitter: For 2.3 in. - 3.0 in OD Tenon V1 ^{4, 6} = Knuckle Wall Mount	BLCK = Black DKBZ = Dark Bronze GRAY = Gray WHTE = White	F= Fusing H2 = Daintree (WHS-100) enabled motion sensor ^{8, 14} H4 = Motion Sensor (WattStopper) J = cUL/Canada L = Tool-Less Entry R = Enhanced Surge Protection (10kV/5kA) S1 ¹² = Rotated Left S2 ¹² = Rotated Right T = Extreme Surge Protection (20kV/10kA) U ⁷ = DALI Programmable V0 = 3 Position Terminal Block Y ¹⁰ = Coastal Finish XXX = Special Options

¹ Not Available with Fusing, Must Choose a Discrete Voltage with "F" Option Code
² Note Standard Dimming is 0-10V
³ Not available in 277-480V
⁴ Supplied with 3ft leads
⁵ Supplied with 16/3 ft Cable
⁶ Restricted Aiming Angle of 0-45°
⁷ Compatible with LightGrid+™ Wireless Control Nodes, Not Compatible with Motion Sensor Control
⁸ Not available in 347V, 480V or 347-480V
⁹ Only available with F, H, J, K, L, M, N optics
¹⁰ Recommended for installations within 750 feet from coast. Lead time varies, check with factory.
¹¹ Select 2700K or 3000K CCT for DarkSky Approved fixtures.
¹² For aimed left or right light distribution orientation, as assembled in manufacturing. Not applicable for Symmetric Distributions
¹³ DALI option not available with 347V, 480V, or 347-480V
¹⁴ Not available with 20kV/10kA SPD
¹⁵ When mounting fixtures at 90 degrees, round pole must be 3.5" OD minimum

CUSTOMER NAME _____

PROJECT NAME _____

DATE _____ TYPE _____

CATALOG NUMBER _____

TYPE	OPTIC CODE	DISTRIBUTION	TYPICAL INITIAL LUMENS			TYPICAL SYSTEM WATTAGE		BUG RATINGS		
			2700K	3000K	4000K & 5000K	120-277	347-480V	2700K	3000K	4000 & 5000K
								B-U-G	B-U-G	B-U-G
TYPE V	C5	Symmetric Medium (SM)	6800	7340	7730	45	47	B3-U0-G1	B3-U0-G1	B3-U0-G1
	D5		9060	9790	10300	61		B3-U0-G2	B3-U0-G2	B3-U0-G2
	F5		13600	14680	15450	91		B4-U0-G2	B4-U0-G2	B4-U0-G2
	H5		18130	19570	20600	123		B4-U0-G2	B4-U0-G2	B4-U0-G2
	J5		22660	24460	25750	156		B4-U0-G2	B5-U0-G3	B5-U0-G3
	K5		27190	29360	30900	191		B5-U0-G3	B5-U0-G3	B5-U0-G3
	L5		31720	34250	36050	231		B5-U0-G3	B5-U0-G3	B5-U0-G4
	M5		36260	39140	41200	273		B5-U0-G4	B5-U0-G4	B5-U0-G4
	N5		45320	48930	51500	372		B5-U0-G4	B5-U0-G4	B5-U0-G4
	C5	Symmetric Wide (SW)	6930	7480	7880	45	47	B3-U0-G1	B3-U0-G1	B3-U0-G1
	D5		9240	9980	10500	61		B3-U0-G1	B3-U0-G1	B3-U0-G1
	F5		13860	14960	15750	91		B3-U0-G2	B3-U0-G2	B3-U0-G2
	H5		18480	19950	21000	123		B4-U0-G2	B4-U0-G2	B4-U0-G2
	J5		23100	24940	26250	156		B4-U0-G2	B4-U0-G2	B4-U0-G2
	K5		27720	29930	31500	191		B4-U0-G2	B4-U0-G2	B5-U0-G2
	L5		32340	34910	36750	231		B5-U0-G2	B5-U0-G3	B5-U0-G3
	M5		36960	39900	42000	273		B5-U0-G3	B5-U0-G3	B5-U0-G3
	N5		46200	49880	52500	372		B5-U0-G3	B5-U0-G3	B5-U0-G4
	C5	Symmetric High Angle (SH)	6600	7130	7500	45	47	B3-U0-G1	B3-U0-G2	B3-U0-G2
	D5		8800	9500	10000	61		B3-U0-G2	B3-U0-G2	B4-U0-G2
	F5		13200	14250	15000	91		B4-U0-G2	B4-U0-G2	B4-U0-G2
	H5		17600	19000	20000	123		B4-U0-G3	B4-U0-G3	B5-U0-G3
	J5		22000	23750	25000	156		B5-U0-G3	B5-U0-G3	B5-U0-G3
	K5		26400	28500	30000	191		B5-U0-G3	B5-U0-G3	B5-U0-G4
L5	30800		33250	35000	231		B5-U0-G4	B5-U0-G4	B5-U0-G4	
M5	35200		38000	40000	273		B5-U0-G4	B5-U0-G4	B5-U0-G4	
N5	44000		47500	50000	372		B5-U0-G4	B5-U0-G5	B5-U0-G5	

For additional information on Non-Shielded and Shielded EALS files, please refer to LED.com

CUSTOMER NAME _____

PROJECT NAME _____

DATE _____ TYPE _____

CATALOG NUMBER _____

TYPE	OPTIC CODE	DISTRIBUTION	TYPICAL INITIAL LUMENS			TYPICAL SYSTEM WATTAGE		BUG RATINGS		
			2700K	3000K	4000K & 5000K	120-277	347-480V	2700K	3000K	4000 & 5000K
								B-U-G	B-U-G	B-U-G
TYPE IV	C4	Asymmetric Forward (AF)	6800	7340	7730	46	48	B1-U0-G2	B2-U0-G2	B2-U0-G2
	D4		9060	9790	10300	63		B2-U0-G2	B2-U0-G2	B2-U0-G2
	F4		13600	14680	15450	96		B2-U0-G2	B3-U0-G3	B3-U0-G3
	H4		18130	19570	20600	123		B3-U0-G3	B3-U0-G3	B3-U0-G3
	J4		22660	24460	25750	156		B3-U0-G4	B3-U0-G4	B3-U0-G4
	K4		27190	29360	30900	191		B3-U0-G4	B3-U0-G4	B3-U0-G4
	L4		31720	34250	36050	231		B3-U0-G4	B3-U0-G4	B3-U0-G5
	M4		36260	39140	41200	273		B3-U0-G5	B4-U0-G5	B4-U0-G5
	N4	45320	48930	51500	372		B4-U0-G5	B4-U0-G5	B4-U0-G5	
	C4	Asymmetric High Angle (AH)	6600	7130	7500	46	48	B2-U0-G2	B2-U0-G2	B2-U0-G2
	D4		8800	9500	10000	63		B2-U0-G2	B2-U0-G2	B2-U0-G3
	F4		13200	14250	15000	96		B3-U0-G3	B3-U0-G3	B3-U0-G3
	H4		17600	19000	20000	123		B3-U0-G4	B3-U0-G4	B3-U0-G4
	J4		22000	23750	25000	156		B3-U0-G4	B3-U0-G4	B3-U0-G4
	K4		26400	28500	30000	191		B3-U0-G4	B3-U0-G5	B4-U0-G5
	L4		30800	33250	35000	231		B4-U0-G5	B4-U0-G5	B4-U0-G5
M4	35200		38000	40000	273		B4-U0-G5	B4-U0-G5	B4-U0-G5	
N4	44000	47500	50000	372		B4-U0-G5	B4-U0-G5	B4-U0-G5		
TYPE III	C3	Asymmetric Wide (AW)	6930	7480	7880	46	48	B1-U0-G1	B2-U0-G2	B2-U0-G2
	D3		9240	9980	10500	63		B2-U0-G2	B2-U0-G2	B2-U0-G2
	F3		13860	14960	15750	96		B2-U0-G2	B2-U0-G2	B2-U0-G2
	H3		18480	19950	21000	123		B3-U0-G3	B3-U0-G3	B3-U0-G3
	J3		23100	24940	26250	156		B3-U0-G3	B3-U0-G3	B3-U0-G3
	K3		27720	29930	31500	191		B3-U0-G3	B3-U0-G3	B3-U0-G4
	L3		32340	34910	36750	231		B3-U0-G4	B3-U0-G4	B4-U0-G4
	M3		36960	39900	42000	273		B4-U0-G4	B4-U0-G4	B4-U0-G4
N3	46200	49880	52500	372		B4-U0-G4	B4-U0-G5	B4-U0-G5		
TYPE II	C2	Asymmetric Narrow/Auto (AN)	7190	7770	8180	46	48	B2-U0-G2	B2-U0-G2	B2-U0-G2
	D2		9590	10360	10900	63		B2-U0-G2	B2-U0-G2	B2-U0-G2
	F2		14390	15530	16350	96		B3-U0-G3	B3-U0-G3	B3-U0-G3
	H2		19180	20710	21800	123		B3-U0-G3	B3-U0-G3	B3-U0-G3
	J2		23980	25890	27250	156		B3-U0-G3	B3-U0-G3	B3-U0-G3
	K2		28780	31070	32700	191		B3-U0-G3	B4-U0-G4	B4-U0-G4
	L2		33570	36240	38150	231		B4-U0-G4	B4-U0-G4	B4-U0-G4
	M2		38370	41420	43600	273		B4-U0-G4	B4-U0-G4	B4-U0-G4
N2	47960	51780	54500	372		B4-U0-G4	B4-U0-G4	B4-U0-G4		

For additional information on Non-Shielded and Shielded EALS files, please refer to LED.com

CUSTOMER NAME _____

PROJECT NAME _____

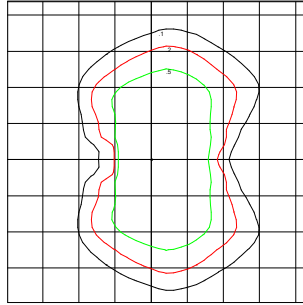
DATE _____ TYPE _____

CATALOG NUMBER _____

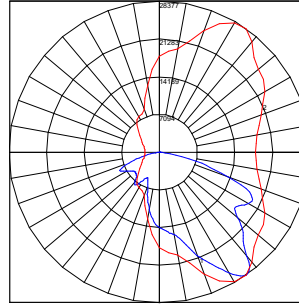
**EALS04
N2AN**

**54,500 Lumens
5000k**

EALS04_N2AN750_.....IES



- Mounting Height at 40'
- Initial Footcandle at Grade

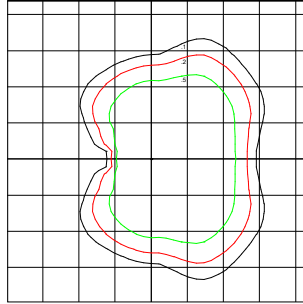


- Vertical Plane Through Horizontal Angles (55 - 235) (Through Max. Cd.)
- Horizontal Cone Through Vertical Angle (35) (Through Max. Cd.)

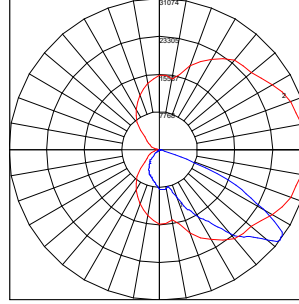
**EALS04
N3AW750**

**52,500 Lumens
5000k**

EALS04_N3AW750_.....IES



- Mounting Height at 40'
- Initial Footcandle at Grade

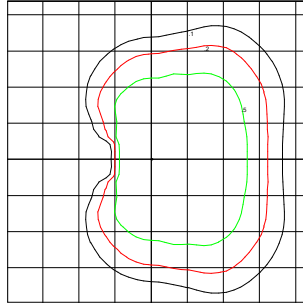


- Vertical Plane Through Horizontal Angles (0 - 180) (Through Max. Cd.)
- Horizontal Cone Through Vertical Angle (53) (Through Max. Cd.)

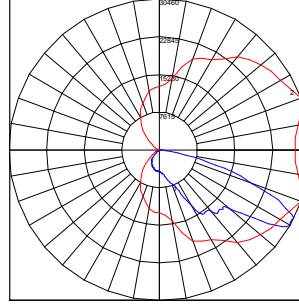
**EALS04
N4AF750**

**51,500 Lumens
5000k**

EALS04_N4AF750_.....IES



- Mounting Height at 40'
- Initial Footcandle at Grade

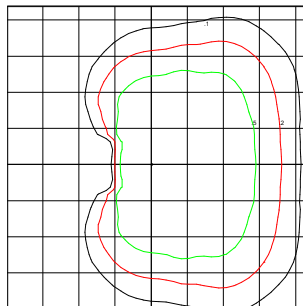


- Vertical Plane Through Horizontal Angles (20 - 200) (Through Max. Cd.)
- Horizontal Cone Through Vertical Angle (63) (Through Max. Cd.)

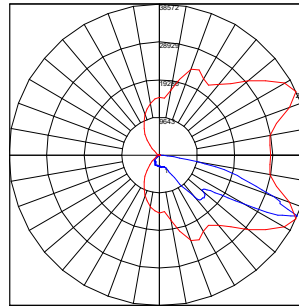
**EALS04
N4AH750**

**50,000 Lumens
5000k**

EALS04_N4AH750_.....IES



- Mounting Height at 40'
- Initial Footcandle at Grade



- Vertical Plane Through Horizontal Angles (25 - 205) (Through Max. Cd.)
- Horizontal Cone Through Vertical Angle (66) (Through Max. Cd.)

CUSTOMER NAME _____

PROJECT NAME _____

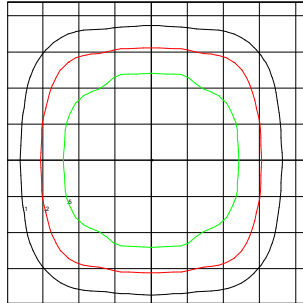
DATE _____ TYPE _____

CATALOG NUMBER _____

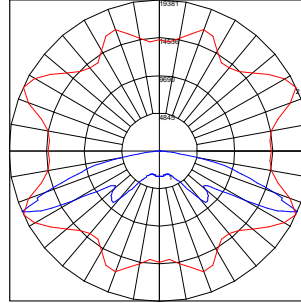
**EALS04
N5SH750**

**50,000 Lumens
5000k**

EALS04_N5SH750_.....IES



- Mounting Height at 40'
- Initial Footcandle at Grade

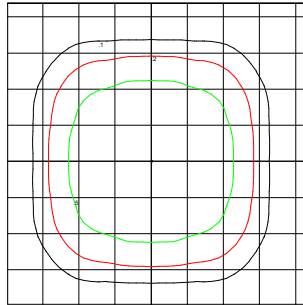


- Vertical Plane Through Horizontal Angles (25 - 205) (Through Max. Cd.)
- Horizontal Cone Through Vertical Angle (66) (Through Max. Cd.)

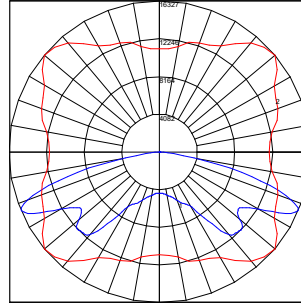
**EALS04
N5SM750**

**51,500 Lumens
5000k**

EALS04_N5SM750_.....IES



- Mounting Height at 40'
- Initial Footcandle at Grade

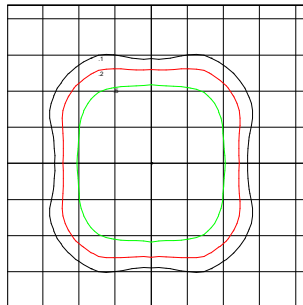


- Vertical Plane Through Horizontal Angles (40 - 220) (Through Max. Cd.)
- Horizontal Cone Through Vertical Angle (67) (Through Max. Cd.)

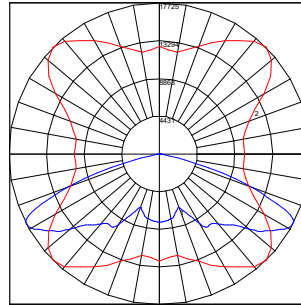
**EALS04
N5SW750**

**52,500 Lumens
5000k**

EALS04_N5SW750_.....IES



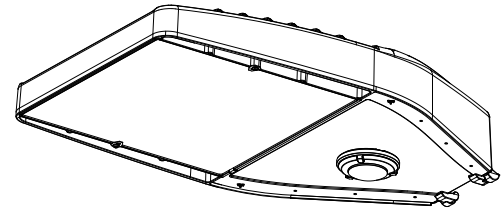
- Mounting Height at 40'
- Initial Footcandle at Grade



- Vertical Plane Through Horizontal Angles (45 - 225) (Through Max. Cd.)
- Horizontal Cone Through Vertical Angle (63) (Through Max. Cd.)

H4 - Motion Sensing Option (WattStopper)

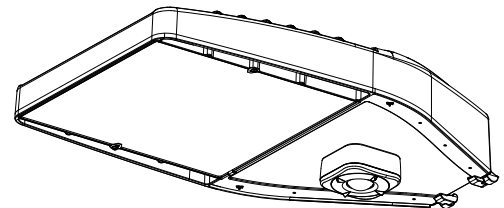
- Recommended Mounting Height: 15-30' (4.6-9.1m)
- For mounting heights exceeding 30 ft., pole mounted sensors are recommended
- Coverage Radius: 15-20' (4.6-6.1 m).
- Provides 270 degree of coverage (approx 90 is blocked by the pole)
- Default Settings:
 - Output Occupied - 100% / Unoccupied - 10%
 - PE Sensor: Disabled
 - Ramp/Fade: Disabled
- Adds < 1W to fixture power rating
- Field programmable using FSIR-100 hand held programmer



H4 (WattStopper)

H2 - Motion Sensing Option (Daintree WHS-100)

- Recommended Mounting Height: 15-30' (4.6-9.1m)
- For mounting heights exceeding 30 ft., pole mounted sensors are recommended
- Provides a coverage area radius for walking motion of 15-20 ft. (4.57-6.10m)
- Provides 270 degree of coverage (approx 90 is blocked by the pole)
- Default Settings:
 - Output: Occupied - 100%/Unoccupied - 50%
 - PE Sensor: None
 - Ramp/Fade: 5 Minutes/5 Minutes
- Adds < 1W to fixture power rating
- Requires Daintree Enterprise and wide area control (WAC)



H2 (Daintree)

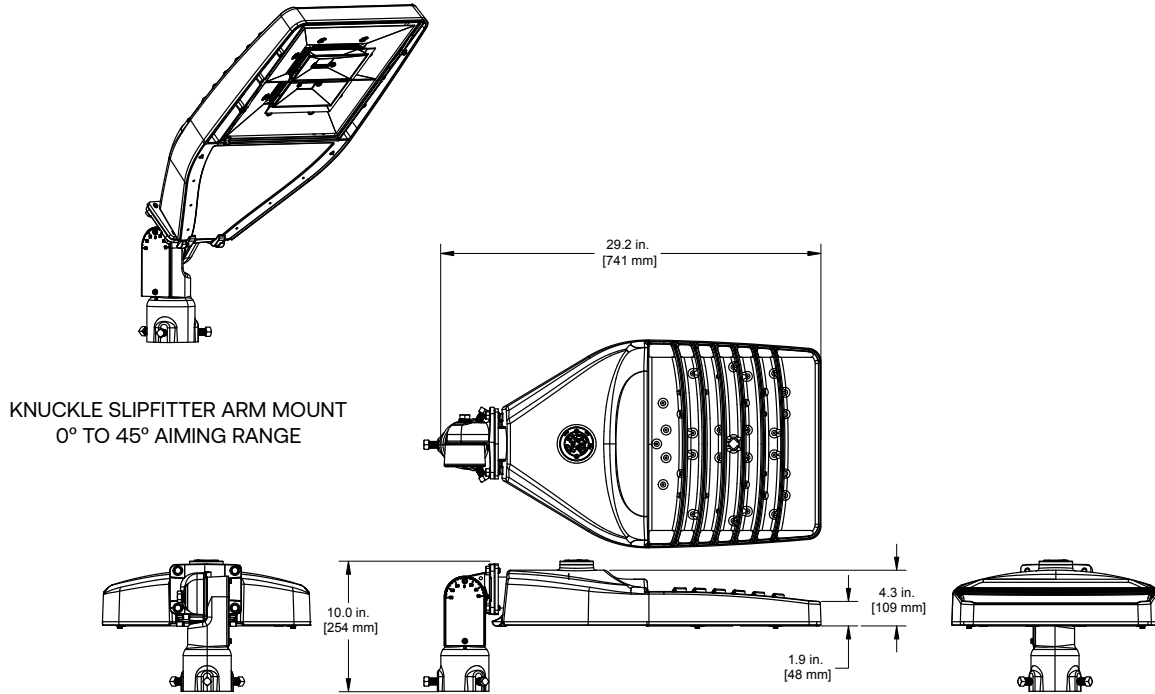
CUSTOMER NAME _____

PROJECT NAME _____

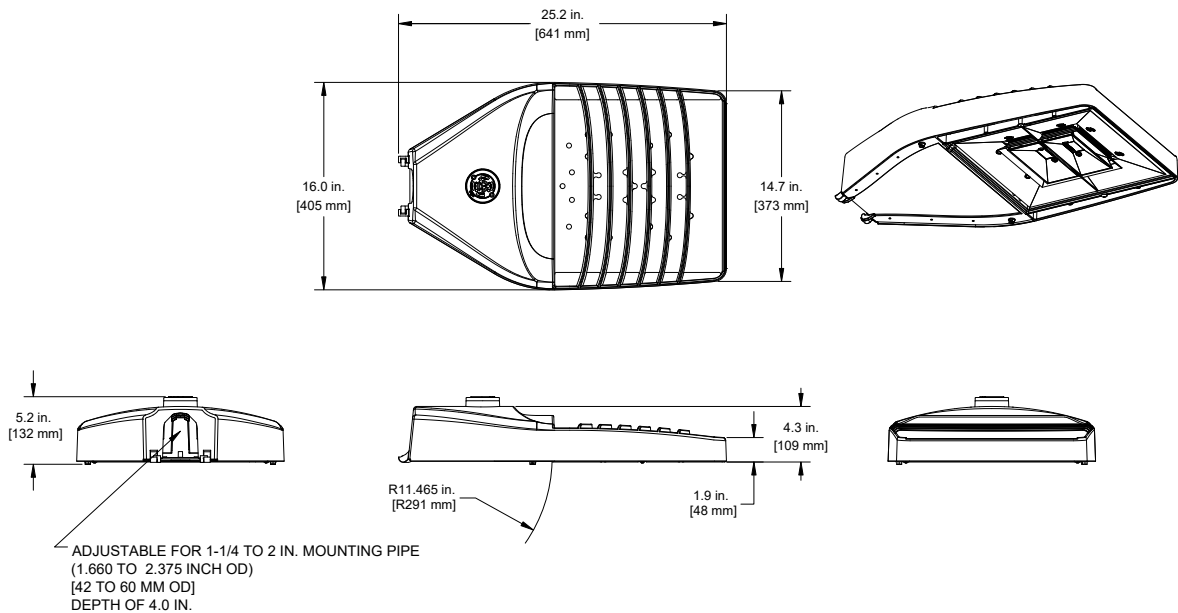
DATE _____ TYPE _____

CATALOG NUMBER _____

KNUCKLE SLIPFITTER: S1



INTEGRAL SLIPFITTER: C1



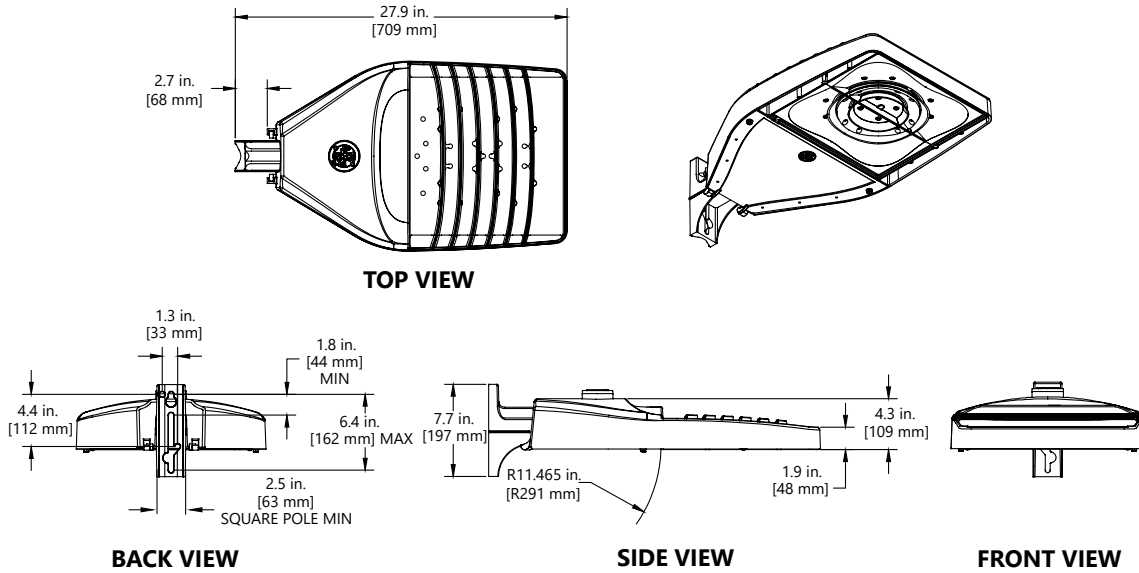
CUSTOMER NAME _____

PROJECT NAME _____

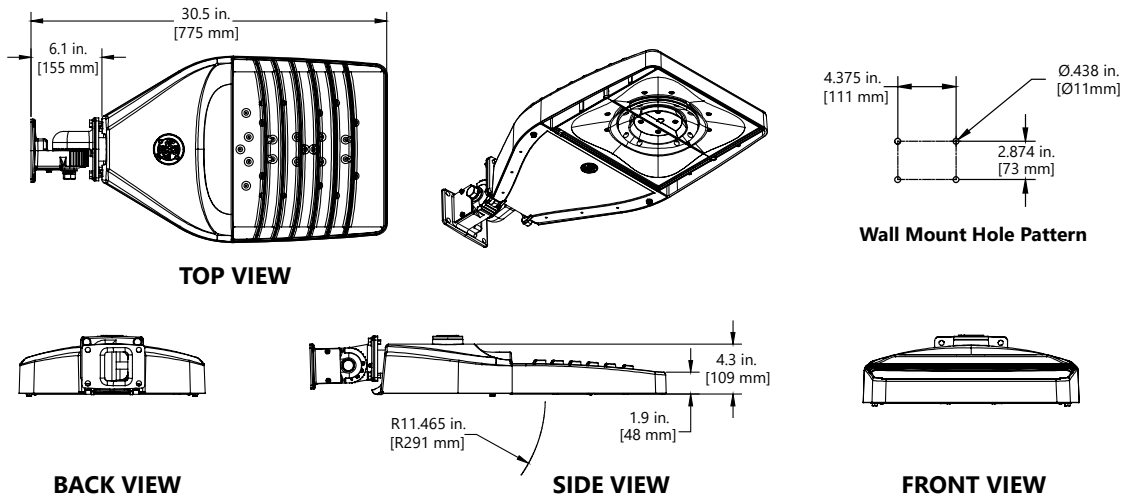
DATE _____ TYPE _____

CATALOG NUMBER _____

UNIVERSAL ARM MOUNT: D1



KNUCKLE WALL MOUNT: V1



DATA

- Approximate Net Weight: 26-28 lbs (11.79 kgs-12.97 kgs)
- Effective Projected Area (EPA):
 - Knuckle Slipfitter K1, S1, V1 aimed at 45°: EPA = 2.45 sq ft
 - Knuckle w/Slipfitter K1, S1, V1 aimed at 0° downward: EPA = 0.79 sq ft
 - Universal Arm Mount D1: EPA = 0.63 sq ft
 - Integral Slipfitter C1: EPA = 0.55 sq ft

CUSTOMER NAME _____

PROJECT NAME _____

DATE _____ TYPE _____

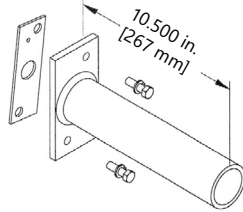
CATALOG NUMBER _____

Mounting Arms for Slipfitter

Order separately with Mounting Option C1 (Slipfitter)

SQUARE POLE MOUNTING ARM

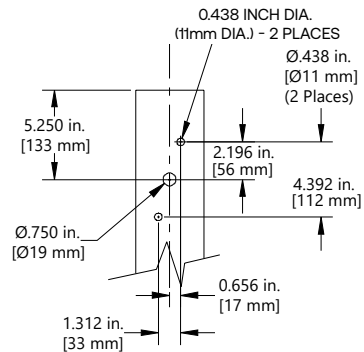
4.0 inch (102mm) SQUARE
(WILL ALLOW 4 FIXTURES PER POLE @ 90 DEGREES.)



ORDER SEPARATELY FROM FIXTURE AS CATALOG NUMBER
SPA-EAMT10BLCK "Black"
SPA-EAMT10DKBZ "Dark Bronze"

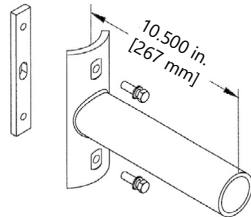
SQUARE POLE MOUNTING DRILLING TEMPLATE

Compatible with E2 Evolve Drill Pattern



ROUND POLE MOUNTING ARM

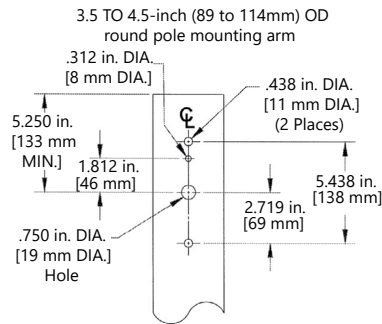
3.5 TO 4.5-inch (89 to 114mm) OD
(WILL ALLOW 4 FIXTURES PER POLE @ 90 DEGREES.)



ORDER SEPARATELY FROM FIXTURE AS CATALOG NUMBER
RPA-EAMT10BLCK "Black"
RPA-EAMT10DKBZ "Dark Bronze"

ROUND POLE MOUNTING DRILLING TEMPLATE

Compatible with E1 Evolve Drill Pattern

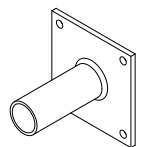
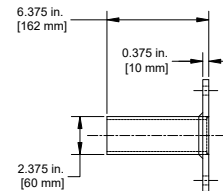
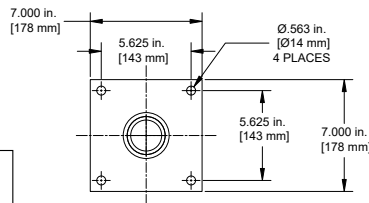


Wall Mounting Bracket Adapter Plate

Order Separately from fixture as catalog number
WMB-EAMT06

*Note: For wall Mounting, order luminaire with mounting arm:
C1 = Slipfitter 2" Pip (2.378 in. OD) supplied with leads.

**Other mounting patterns are available for retrofit installations.
Contact manufacturing for other available mounting patterns.**



SAP NUMBER	PART NUMBER	DESCRIPTION
93029237G	PED-MV-LED-7	ANSI C136.41 Dimming PE, 120-277V
93029238G	PED-347-LED-7	ANSI C136-41 Dimming PE, 347V
93029239G	PED-480-LED-7	ANSI C136-41 Dimming PE, 480V
28299	PECOTL	Long Life PE 120-277V
93147530	PECHTL	Long Life PE 347-480V
73271	SCCL-PECTL	Shorting Cap

PE Accessories (to be ordered separately)