

CUSTOMER NAME _____
 PROJECT NAME _____
 DATE _____ TYPE _____
 CATALOG NUMBER _____

ECLP Series LED Canopy Light

The Evolve® Canopy LED Petro (ECLP) offers energy efficiency and quality of light in a sleek low-profile look and style that is suitable for wet location, ideal for Gas Station Applications.

Construction

| | |
|-----------------|--|
| Housing: | Aluminum die cast enclosure. Integral heat sink for maximum heat transfer |
| Lens: | Impact resistant tempered glass |
| Paint: | Corrosion resistant polyester powder paint, minimum 2.0 mil thickness Standard = Black, Dark Bronze, Gray, White (RAL & custom colors available) Optional = Coastal Finish |
| Weight: | 12.6 lbs (5.67 kg) |

Optical System

| | |
|----------------------|---------------------|
| Lumens: | 3,700 to 13,400 |
| Distribution: | Symmetric Medium |
| Efficacy: | 119 - 141 LPW |
| CCT: | 3000K, 4000K, 5000K |
| CRI: | ≥70 |

Electrical

| | |
|-----------------------------------|----------------------------------|
| Input Voltage: | 120-277V & 347-480V (C5&D5 only) |
| Input Frequency: | 50/60Hz |
| Power Factor: | ≥ 90% at rated watts |
| Total Harmonic Distortion: | ≤ 20% at rated watts |

Controls

| | |
|-----------------|--|
| Dimming: | Standard - 0-10V |
| Sensors: | Photo Electric Sensors (PE) available, Daintree Compatible |

Lumen Maintenance

Projected Lxx per IES TM-21-11 at 25°C

| LUMEN CODES | LXX(10K) @ HOURS | | |
|-------------|------------------|-----------|-----------|
| | 25,000 HR | 50,000 HR | 60,000 T5 |
| T5 | L96 | L92 | L91 |
| A5 | L95 | L93 | L92 |
| B5 | L95 | L93 | L92 |
| C5 | L95 | L93 | L92 |
| D5 | L92 | L88 | L86 |

Note: Projected LXX based on LM80 (= 10,000 hour testing). Accepted industry tolerances apply to initial luminous flux and lumen maintenance measurements.

Luminaire Ambient Temperature Factor

| AMBIENT TEMP (°C) | INITIAL FLUX FACTOR | AMBIENT TEMP (°C) | INITIAL FLUX FACTOR |
|-------------------|---------------------|-------------------|---------------------|
| 10 | 1.02 | 30 | 0.99 |
| 20 | 1.01 | 40 | 0.96 |
| 25 | 1.00 | 50 | 0.97 |

Ratings

| | |
|-------------------------------|--|
| Operating Temperature: | -40°C to 50°C |
| Vibration*: | 1.5G per Per ANSI C136.31-2010 |
| LM-79: | Testing in accordance with IESNA Standards |

Warranty

5 Year (Standard)



Not all product variations listed on this page are DLC qualified. Visit www.designlights.org/search to confirm qualifications.

CUSTOMER NAME _____

PROJECT NAME _____

DATE _____ TYPE _____

CATALOG NUMBER _____

Ordering Information

ECLP 01

SM 7

SM

| PROD. ID | GEN | VOLTAGE | OPTIC CODE | DISTRIBUTION ³ | CRI | CCT | DIMMING | CONTROLS | MOUNTING | COLOR | OPTIONS |
|--|-----|---------------------------------------|--|---------------------------|--------|--|--|--|--------------------|--|---------------------------------|
| E = Evolve C = Canopy LP = Petro | 01 | 0 = 120-277V D = 347V ¹ | T5 = 3700 lm A5 = 5400 lm B5 = 7100 lm C5 = 10000 lm D5 = 13400 lm | SM = Symmetric Medium | 7 = 70 | 30 = 3000K 40 = 4000K 50 = 5000K | 1 = None Only Controls 'I' available A = Wired to Control D = External Wired 0-10V/Leads Only Controls 'I' available | 1 = None A = Motion Sensor IR Program ² B = Daintree Motion Sensor ² | SM = Surface Mount | BLCK = Black DKBZ = Dark Bronze GRAY = Gray WHITE = White | Y = Coastal Finish ³ |

¹ Optic code A5 & B5 only 347V available

² Requires Dimming Option A

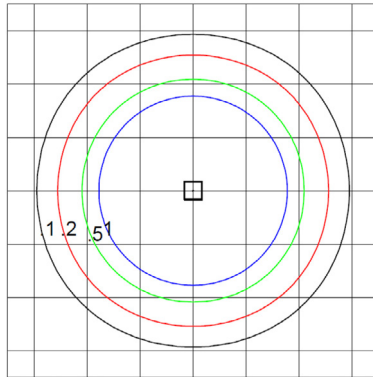
³ Recommended for installations within 750 feet from coast. Lead time varies, check with factory.

| OPTIC CODE | DIST CODE | TYPICAL INITIAL LUMENS | | | TYPICAL SYSTEM WATTAGE | | 3000K | | IES FILE NUMBER 3000K | | 3000K | |
|------------|-----------|------------------------|-------|-------|------------------------|------|-------------------------|---------------------|-------------------------|---------------------|-------------------------|---------------------|
| | | 3000K | 4000K | 5000K | 120-277V | 347V | 120-277V | 347V | 120-277V | 347V | 120-277V | 347V |
| T5 | SM | 3600 | 3700 | 3700 | 29 | N/A | ECLP01_T5SM730_120-277V | | ECLP01_T5SM740_120-277V | | ECLP01_T5SM750_120-277V | |
| A5 | SM | 5200 | 5400 | 5400 | 39 | 43 | ECLP01_A5SM730_120-277V | ECLP01_A5SM730_347V | ECLP01_A5SM740_120-277V | ECLP01_A5SM740_347V | ECLP01_A5SM750_120-277V | ECLP01_A5SM750_347V |
| B5 | SM | 6900 | 7100 | 7100 | 54 | 58 | ECLP01_B5SM730_120-277V | ECLP01_B5SM730_347V | ECLP01_B5SM740_120-277V | ECLP01_B5SM740_347V | ECLP01_B5SM750_120-277V | ECLP01_B5SM750_347V |
| C5 | SM | 9700 | 10000 | 10000 | 71 | 71 | ECLP01_C5SM730_ | | ECLP01_C5SM740_ | | ECLP01_C5SM750_ | |
| D5 | SM | 13000 | 13400 | 13400 | 101 | 101 | ECLP01_D5SM730_ ECLP01_ | | ECLP01_D5SM740_ | | ECLP01_D5SM750_ | |

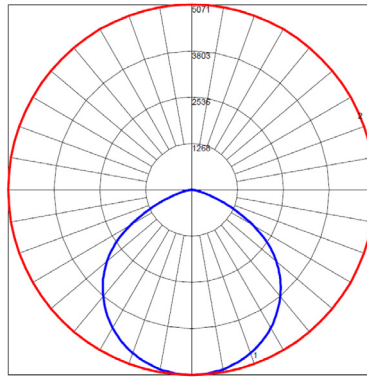
For additional information on ECLP files, please refer to LED.com

ECLP Symmetric Medium

13,400 Lumens
5000K
ECLP01_D5SM750_



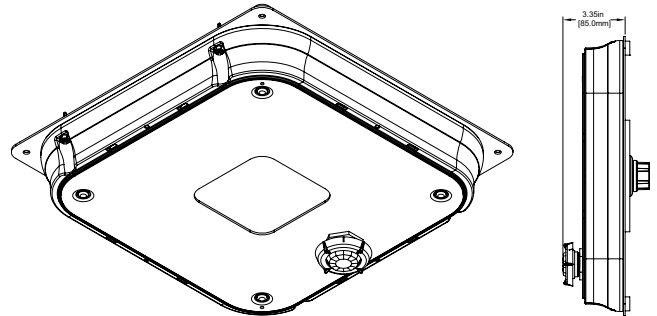
Grid Distance in Units of Mounting Height at 15'
Initial Footcandle Values at Grade



— Vertical plane through horizontal angle of Max. Cd at 90°
— Horizontal cone through vertical angle of Max. Cd at 1°

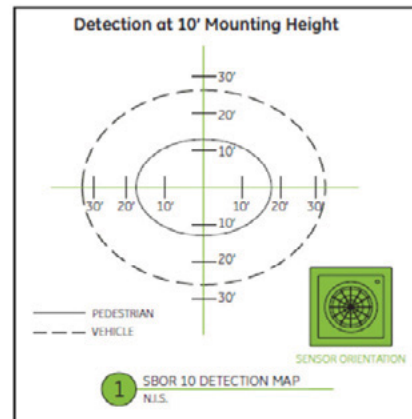
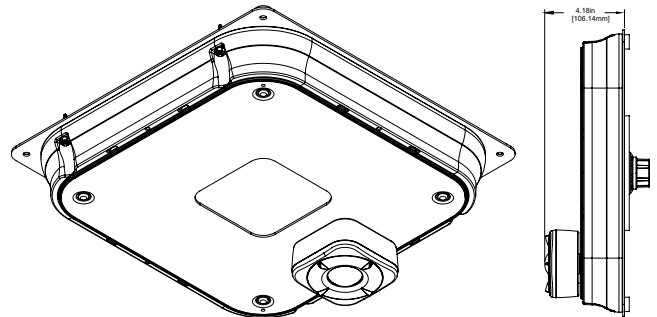
A MOTION SENSING OPTION-WATTSTOPPER: SENSOR FSP-211, LENS FSP-L2

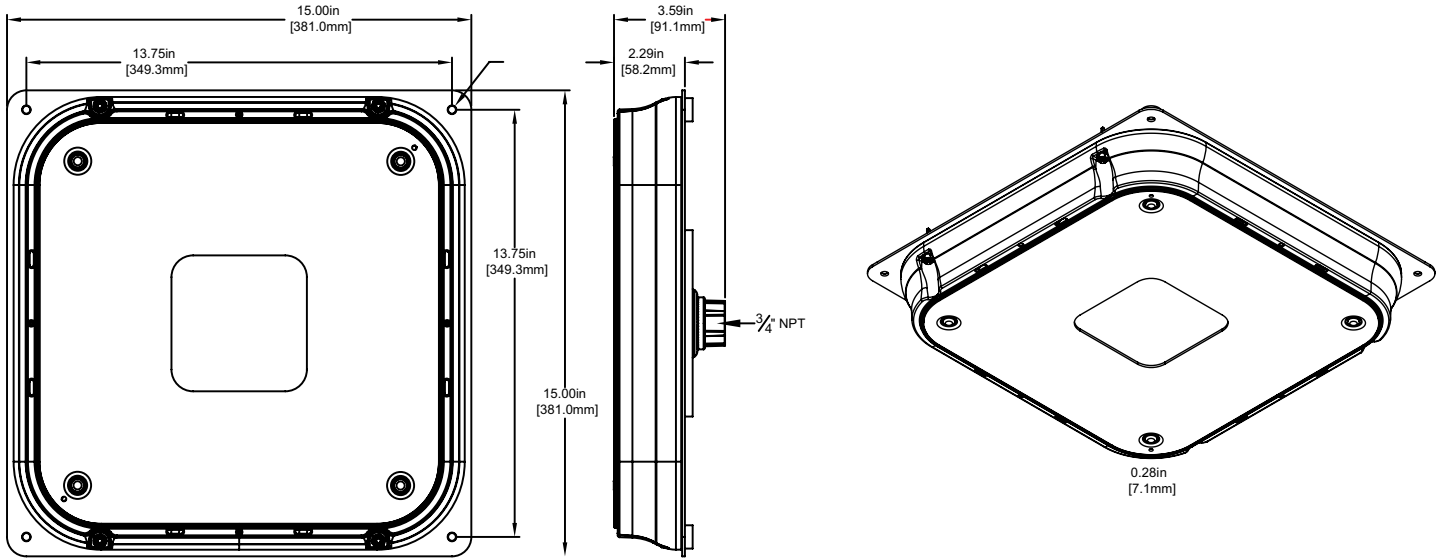
| | |
|--------------------------|--|
| Recommnd | |
| Mounting Height: | 8-25' |
| Coverage Radius: | 15-20' (4.6-6.1 m) |
| Lateral Coverage: | 360° |
| Default Settings: | |
| Output: | Occupied - 100%/Unoccupied - 50% |
| PE Sensor: | Enabled |
| Ramp/Fade: | 5 Minutes/5 Minutes |
| Adds: | < 1W to fixture power rating |
| Field: | Requires Daintree Enterprise and wide area control (WAC) |



B MOTION SENSING OPTION - DAINTREE: WHS100-BM

| | |
|--------------------------|--|
| Recommnd | |
| Mounting Height: | 8-25' |
| Coverage Radius: | 15-20' (4.6-6.1 m) |
| Lateral Coverage: | 360° |
| Default Settings: | |
| Output: | Occupied - 100%/Unoccupied - 50% |
| PE Sensor: | None |
| Ramp/Fade: | 5 Minutes/5 Minutes |
| Adds: | < 1W to fixture power rating |
| Field: | Requires Daintree Enterprise and wide area control (WAC) |





Beauty Plates

| PRODUCT ID | SERIES | DETAIL | COLOR |
|------------|----------------------|--------------------|--------------------|
| ECL | E = Escutcheon Plate | 1 = 24" x 24" ECLS | BLCK = Black |
| | | 2 = 32" x 32" ECLS | DKBZ = Dark Bronze |
| | | 3 = 24" x 24" ECLP | WHITE = White |
| | | 4 = 32" x 32" ECLP | |