



GE Evolve™

Canopy LED Petro Lighting
ECLP

current
powered by GE



Product Features

The Evolve™ Canopy LED Petro offers energy efficiency and quality light in a sleek, low-profile look and style. This innovative, highly efficient solution spreads the source lumens using a diffused aperture which creates optimized photometry for the typical canopy and sidewalk applications.

Applications

- Gas Stations Canopy
- Open Canopy

Housing

- Die-cast aluminum housing.
- Integrated design incorporates the heat sink directly into the unit ensuring maximum heat transfer and long LED life.

LED & Optical Assembly

- Evolve light engine consisting of a lens/diffuser designed to optimize application efficiency.
- Utilizes high brightness 3000K, 4000K and 5000K LEDs at 70 CRI typical.
- LM-79 tests and reports are performed in accordance with IESNA standards.
- Impact resistant tempered glass.

Lumen Maintenance

Reported Lxx per IES TM-21 at 25°C for reference:

Optical Code	Lxx (10k) @ hours	
	25,000 hr	60,000 hr
T 5	L95	L92
A 5	L96	L91
B 5	L96	L91
C 5	L95	L92
D 5	L92	L86

Note: Reported Lxx based on LM80 (10,000hour testing).

Lumen Ambient Temperature Factors

Ambient temperature (Deg. C)	Initial Flux Factor
10	1.03
20	1.01
25	1.00
30	0.99
40	0.96

Rating

- Suitable for wet locations per UL 1598.
- IP65 Optical enclosure per ANSI C136.25-2009.
- Temperature rated -40° to + 40°C.
- Complies with the material restrictions of RoHS.
- Meets 1.5G vibration standards per ANSI C136.31-2010.
- EMI: FCC Title 47 CFR Part 15 Class A.

Mounting

- Surface Mount

Finish

- Corrosion resistant polyester powder paint, minimum 2.0 mil. thickness.
- Standard colors: White, Dark Bronze & Black.
- RAL & custom colors available.

Electrical

- 120-277 volt, 347-480 volt available in C5 & D5 optic.
- System power factor is $\geq 90\%$ and THD $\leq 20\%$ *
- Class "A" sound rating.
- Surge protection per IEEE/ANSI C136.2-2015 for product without control option:
 - Standard: 6KV/3kA "Typical: (40 Strikes)"
- Dimming/Motion Sensor Options:
 - Standalone dimming motion sensor with ambient light sensor (sensor option A)
 - Daintree wireless motion sensor (sensor option B)

* System power factor and THD specified at rated watts.

Warranty

- 5 Year Standard

Options

- Coastal Finish

Accessories

- See LED Evolve ECL Accessories
 - 24" Escutcheon Plate
 - 32" Escutcheon Plate

GE Evolve™

Canopy LED Petro

ECLP



Project name _____
 Date _____
 Type _____

E C L P **SM** **7** **SM** **Y**

PROD. ID	GENERATION	VOLTAGE	OPTICAL CODE	DISTRIBUTION	CRI	CCT	DIMMING	CONTROLS	MOUNTING	FINISH	OPTIONS
E = Evolve C = Canopy L = LED P = Petro	01 = 1st Gen	0 = 120-277V D = 347* H = 347-480** * for A5, B5 ** for C5, D5		SM = Symmetric Medium	7 = 70 CRI	30 = 3000K 40 = 4000K 50 = 5000K	1 = None A = Wired to Control D = External wired 0-10V leads	1 = None A = Motion Sensor IR Prog*# B = Daintree Motion Sensor* *For Optical Code C5 and D5 with 347-480V, sensor not available # Requires Dimming Option A	SM = Surface Mount	WHITE = White BLCK = Black DKBZ = Dark Bronze	Y = Coastal Finish* *Call for availability

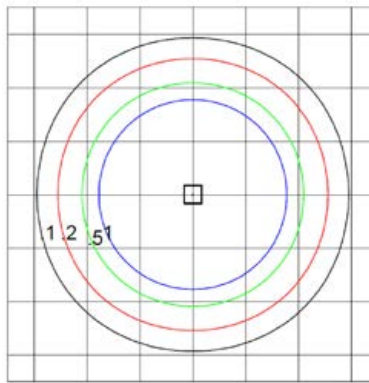


OPTICAL CODE	DIST.	TYPICAL INITIAL LUMENS						TYPICAL SYSTEM WATTAGE						IES FILE NUMBER												
		3000K		4000K		5000K		120-277V		3000K		347-480V		120-277V		4000K		347-480V		120-277V		5000K		347-480V		
		3000K	4000K	5000K	120-277V	347-480V	120-277V	347-480V	120-277V	347-480V	120-277V	347-480V	120-277V	347-480V	120-277V	347-480V	120-277V	347-480V	120-277V	347-480V	120-277V	347-480V	120-277V	347-480V		
T5	SM	3600	3700	3700	29	NA	ECLP01_TSS M730-120-277V.IES	NA	ECLP01_TSS M740-120-277V.IES	NA	ECLP01_TSS M750-120-277V.IES	NA	ECLP01_TSS M760-120-277V.IES	NA	ECLP01_TSS M770-120-277V.IES	NA	ECLP01_TSS M780-120-277V.IES	NA	ECLP01_TSS M790-120-277V.IES	NA	ECLP01_TSS M800-120-277V.IES	NA	ECLP01_TSS M810-120-277V.IES	NA	ECLP01_TSS M820-120-277V.IES	
A5	SM	5200	5400	5400	39	43*	ECLP01_ASS M730-120-277V.IES	ECLP01_ASS M730-347-480V.IES	ECLP01_ASS M740-120-277V.IES	ECLP01_ASS M740-347-480V.IES	ECLP01_ASS M750-120-277V.IES	ECLP01_ASS M750-347-480V.IES	ECLP01_ASS M760-120-277V.IES	ECLP01_ASS M760-347-480V.IES	ECLP01_ASS M770-120-277V.IES	ECLP01_ASS M770-347-480V.IES	ECLP01_ASS M780-120-277V.IES	ECLP01_ASS M780-347-480V.IES	ECLP01_ASS M790-120-277V.IES	ECLP01_ASS M790-347-480V.IES	ECLP01_ASS M800-120-277V.IES	ECLP01_ASS M800-347-480V.IES	ECLP01_ASS M810-120-277V.IES	ECLP01_ASS M810-347-480V.IES	ECLP01_ASS M820-120-277V.IES	ECLP01_ASS M820-347-480V.IES
B5	SM	6900	7100	7100	54	58*	ECLP01_BSS M730-120-277V.IES	ECLP01_BSS M730-347-480V.IES	ECLP01_BSS M740-120-277V.IES	ECLP01_BSS M740-347-480V.IES	ECLP01_BSS M750-120-277V.IES	ECLP01_BSS M750-347-480V.IES	ECLP01_BSS M760-120-277V.IES	ECLP01_BSS M760-347-480V.IES	ECLP01_BSS M770-120-277V.IES	ECLP01_BSS M770-347-480V.IES	ECLP01_BSS M780-120-277V.IES	ECLP01_BSS M780-347-480V.IES	ECLP01_BSS M790-120-277V.IES	ECLP01_BSS M790-347-480V.IES	ECLP01_BSS M800-120-277V.IES	ECLP01_BSS M800-347-480V.IES	ECLP01_BSS M810-120-277V.IES	ECLP01_BSS M810-347-480V.IES	ECLP01_BSS M820-120-277V.IES	ECLP01_BSS M820-347-480V.IES
C5	SM	9700	10000	10000	71		ECLP01_CSS M730_IES		ECLP01_CSS M740_IES		ECLP01_CSS M750_IES		ECLP01_CSS M760_IES		ECLP01_CSS M770_IES		ECLP01_CSS M780_IES		ECLP01_CSS M790_IES		ECLP01_CSS M800_IES		ECLP01_CSS M810_IES		ECLP01_CSS M820_IES	
D5	SM	13000	13400	13400	101		ECLP01_DSS M730_IES		ECLP01_DSS M740_IES		ECLP01_DSS M750_IES		ECLP01_DSS M760_IES		ECLP01_DSS M770_IES		ECLP01_DSS M780_IES		ECLP01_DSS M790_IES		ECLP01_DSS M800_IES		ECLP01_DSS M810_IES		ECLP01_DSS M820_IES	

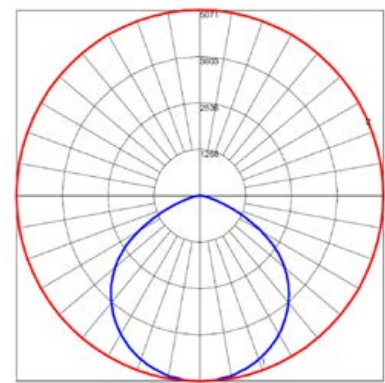
*Only 347V available

Photometrics

ECLP - Symmetric Medium
 13,400 lumens, 5000K (ECLP01_D5SM750_)



Grid Distance in Units of Mounting Height at 15'
 Initial Footcandle Values at Grade



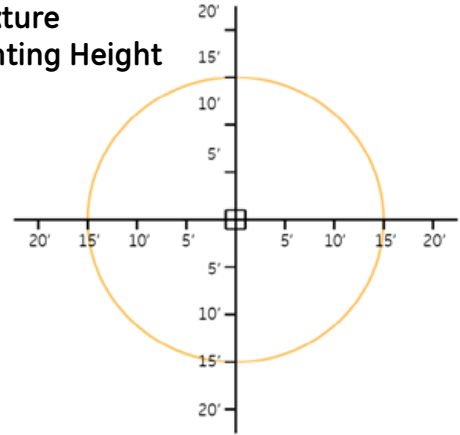
— Vertical plane through horizontal angle of Max. Cd at 90°
 — Horizontal cone through vertical angle of Max. Cd at 1°

Motion Sensing:

- Intended for 8-25ft mounting heights.
- Provides a coverage area radius for walking motion of 15-20ft.
- Provides 360° of coverage.
- **Option A:**
 - Factory pre-set 50% dimmed light output with no occupancy.
 - May be reprogrammed using remote programmer part number: WS FSIR-100 PROGRAMMER (197634).
 - Photoelectric control is integrated through the motion sensor, and is offered as standard.
- **Option B:** Requires Daintree wireless network. Sensor reprogramming through network.

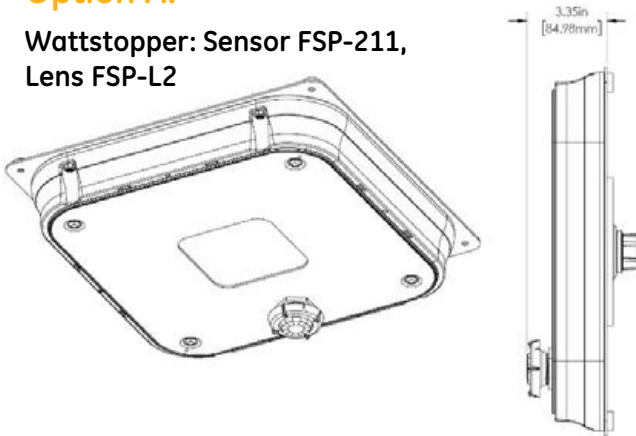
Approximate Sensor Pattern:

Canopy Fixture
15 ft. Mounting Height



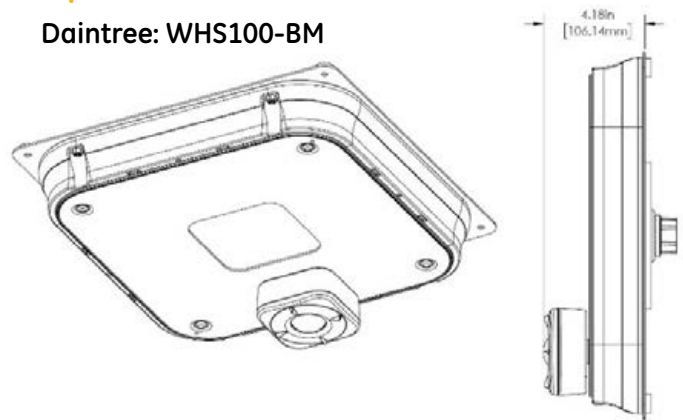
Option A:

Wattstopper: Sensor FSP-211,
Lens FSP-L2



Option B:

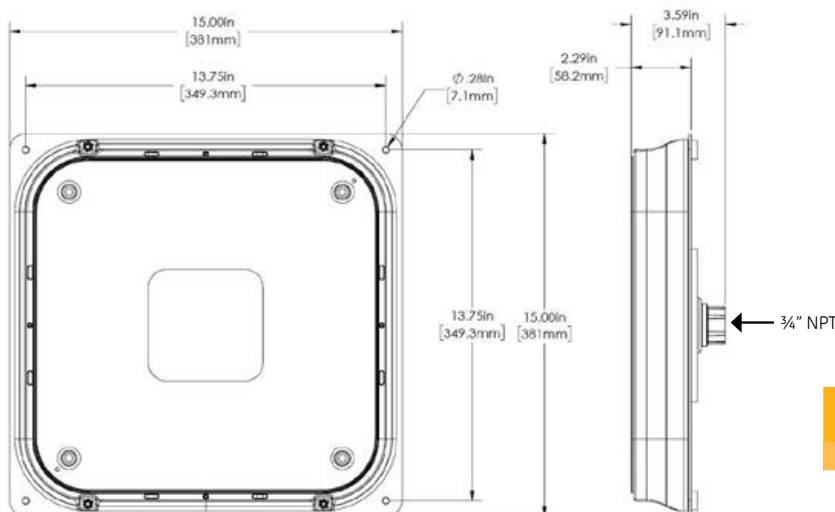
Daintree: WHS100-BM



Product Dimensions

Evolve Canopy LED Petro (ECLP)

Surface Mount: SM



PART	TOTAL WEIGHT (LBS.)
Surface Mount (SM)	12.6

current
powered by GE

All trademarks are the property of their respective owners. Information provided is subject to change without notice. All values are design or typical values when measured under laboratory conditions. Current, powered by GE is a business of the General Electric Company.
© 2019 GE.

