

## EG2R

### LED Garage Light



Project Name \_\_\_\_\_

Date \_\_\_\_\_ Type \_\_\_\_\_

Notes \_\_\_\_\_

The **Evolve**® LED Garage Light (EG2R) fixture features an advanced LED optic specifically designed for applications such as parking decks with low mounting heights to provide high uniformity and excellent vertical light distribution with reduced glare, illuminating your parking area with effective security light levels.

### CONSTRUCTION

<b>Lens:</b>	Impact resistant tempered glass
<b>Paint:</b>	Corrosion resistant polyester powder paint, minimum 2.0 mil thickness Standard = Gray, White (RAL & custom colors available)
<b>Weight:</b>	8 - 10 lbs.

### OPTICAL SYSTEM

<b>Lumens:</b>	5,000 lms
<b>Distribution:</b>	Symmetric Medium
<b>CCT:</b>	3000K & 5000K
<b>CRI (Min):</b>	≥70

### ELECTRICAL

<b>Input Voltage:</b>	120-277V
<b>Input Frequency:</b>	50/60Hz
<b>Power Factor(PH):</b>	> 90 at rated watts
<b>Total Harmonic Distortion (THD):</b>	≤ 20% at rated watts

### SURGE PROTECTION

<b>TYPICAL (120 Strikes)</b>
6kV/3kA*

\*Per ANSI C136.2-2015

### LUMEN MAINTENANCE

Projected Lxx per IES TM-21 at 25°C

Lumen Codes	LXX(10K) @ Hours		
	25,000 HR	50,000 HR	60,000 HR
A5	L95	L93	L92

Note: Projected Lxx based on LM80 (≥ 10,000 hour testing). Accepted Industry tolerances apply to initial luminous flux and lumen maintenance measurements.

### AMBIENT TEMPERATURE FACTOR

Ambient Temp (°C)	Initial Flux Factor	Ambient Temp (°C)	Initial Flux Factor
10	1.02	30	0.99
20	1.01	40	0.98
25	1.00		

### RATINGS

<b>Operating Temperature:</b>	-40° C to 40° C
<b>Vibration:</b>	1G per Per ANSI C136.31-2010:
<b>LM-79:</b>	Testing in accordance with IESNA Standards

### CONTROLS

<b>Dimming:</b>	Standard - 0-10V Optional - DALI (Option U)
<b>Sensors:</b>	Photo Electric Sensors (PE) available LightGrid and Daintree Compatible

### WARRANTY

5 Year (Standard)

Not all product variations listed on the page are DLC qualified. To ensure that a specific model is qualified, visit [www.designlights.org/search](http://www.designlights.org/search).



Project Name \_\_\_\_\_

Date \_\_\_\_\_ Type \_\_\_\_\_

Notes \_\_\_\_\_

**E G 2 R      0      A5      P      S**  
 - - - - -      -      - -      -      -      - -      - - - - -      -

PROD. ID	VOLTAGE	OPTIC CODE	LENS TYPE	DRIVE CURRENT	CCT	MOUNTING ARM	COLOR	OPTIONS
E = Evole	0 = 120-277	A5 = 540 lms	P = Prismatic Polycarbonate Lens	S = Standard	40 = 4000K	01 = Primary Electric Disconnect with MPM-C <sup>1</sup>	GRAY = Gray	D = Dimming <sup>2</sup>
G = Garage					50 = 5000K	02 = Primary Electric Disconnect with MPM-3PR <sup>1</sup>	WHITE = White	H = Motion Sensor
2R = Housing Round						04 = Primary Electric Disconnect with MPM-3PRW		

<sup>1</sup> Select for Damp Location Rated

<sup>2</sup> D option required for External Dimming (option H not needed with option D)

Optical Code	Dist Code	4000K	5000K	Typical System Wattage 120-277V	IES File Number	
					4000K	5000K
					TA5	SM

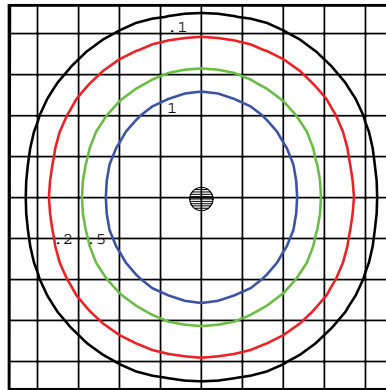
**EG2R**

**Type V – Symmetric (A5)**

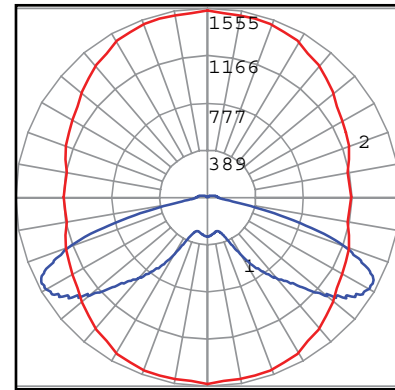
5,040 Lumens

5000K

EG2R\_A5PS50\_-120-277V.IES



- Mounting Height at 10' Initial
- Footcandle at Grade

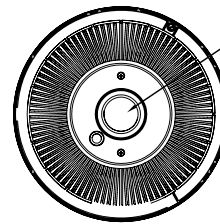


- Vertical plane through horizontal angle of maximum candlepower at 90°
- Horizontal cone through vertical angle of maximum candlepower at 62.5°

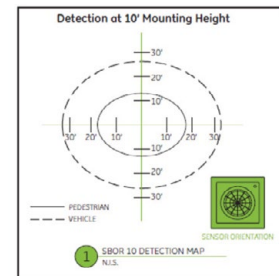
### H MOTION SENSING OPTION

Recommended for lower mounting heights between 8-15 ft, this sensor provides excellent pedestrian coverage of greater than 2x the mounting height.

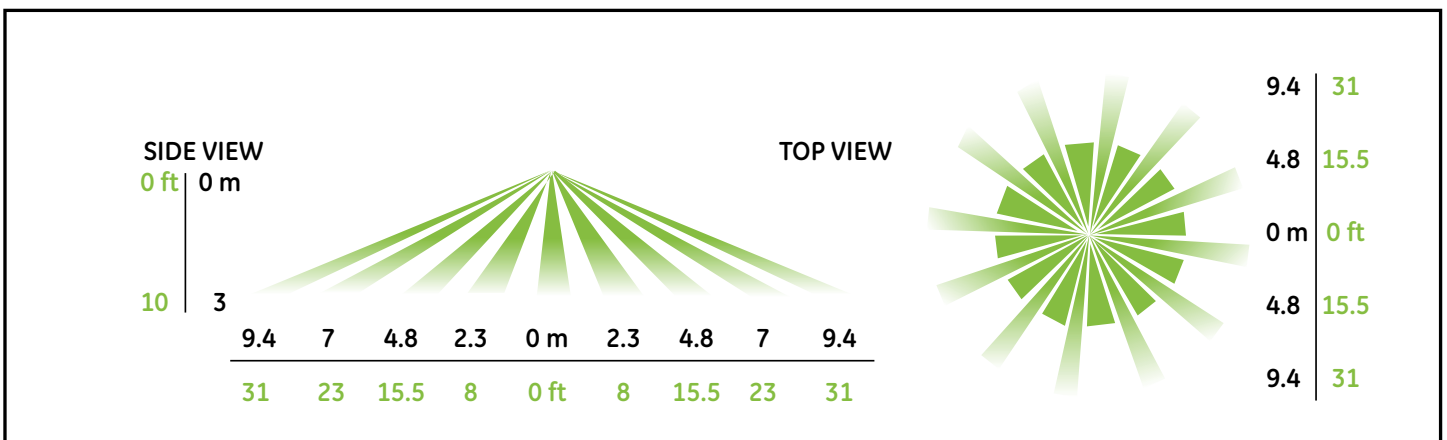
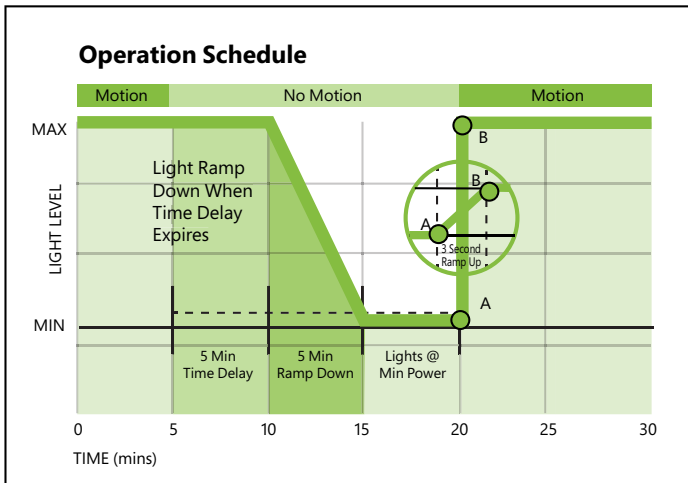
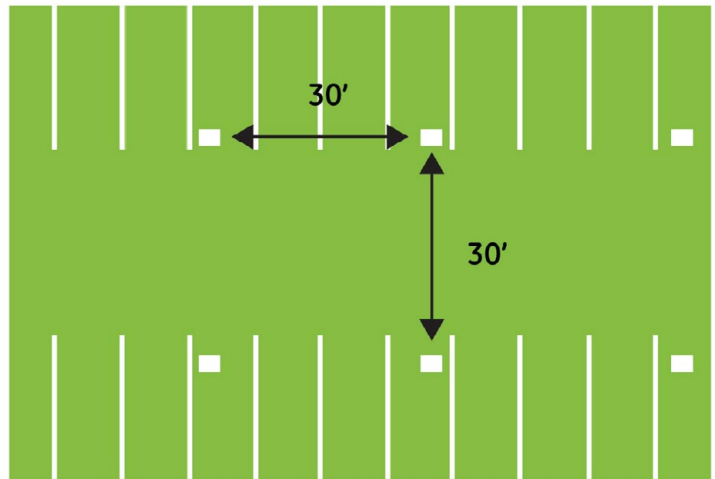
- In a garage application, 360° of coverage is achievable, allowing the sensor detection to closely match the lighting distribution of a typical garage.
  - Comes standard with 50% dimmed light output with no occupancy, and full power at occupancy.
  - Comes standard with a 5 minute occupancy time delay and a 5 minute ramp-down to the 50% dimmed level.
- \* Standard options may be reprogrammed in the field. Contact manufacturer for reprogramming instructions.



Motion Sensor

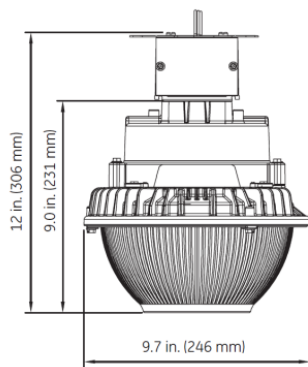


In a typical parking garage application with a mounting height of 10 ft., the sensor's coverage for walking motion extends out (30 ft.).



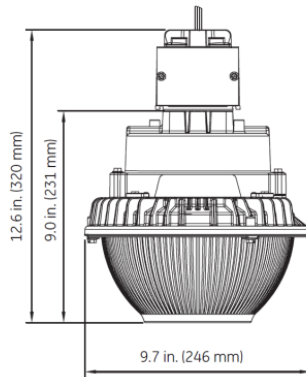
#### Mounting Option Code: 01, 20

Primary Electric Disconnect w/MPM-c (01)  
Surface Mounting w/Slide on wiring Box (20)



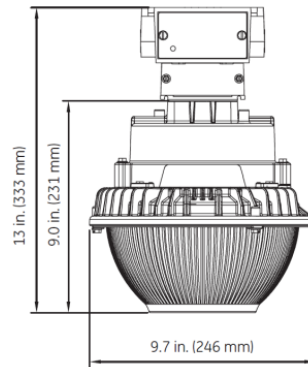
#### Mounting Option Code: 02, 04

Primary Electric Disconnect with MPM-3PR (02)  
Primary Electric Disconnect with MPM-3PRW (04)



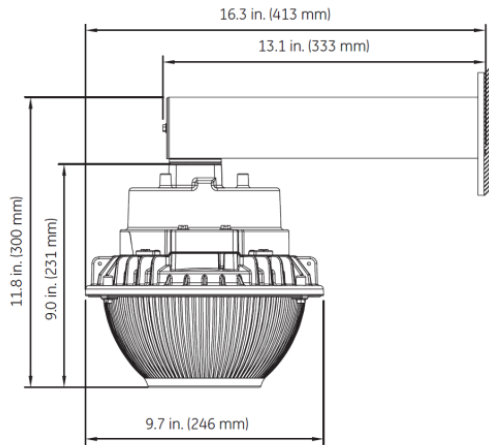
#### Mounting Option Code: 05

Primary Electric Disconnect w/MPM-3PRTFW (05)



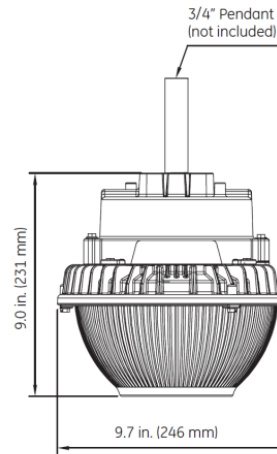
#### Mounting Option Code: 06

Primary Electric Disconnect w/MPM-WW (06)



#### Mounting Option Code: 11

3/4" Rigid Pendant (standard) (11)



## MOUNTING

- 01 = Primary Electric Disconnect with MPM-C1
- 02 = Primary Electric Disconnect with MPM-3PR1
- 04 = Primary Electric Disconnect with MPM-3PRW
- 05 = Primary Electric Disconnect with MPM-3PRTFW
- 06 = Primary Electric Disconnect with MPM-WW
- 11 = 3/4" Rigid Pendant Mount
- 20 = Surface Mounting with Slide On Wiring Box

## MOTION SENSOR

SAP Number	Part Number	Description
Add Part #	Add Part #	Sensor Switch SBOR