

SYLVANIA

Field-installable emergency battery back-up

Application

This EMBB provides 90 minutes of extra lighting in an event of power loss/blackout.

Benefits and Features

- Functions with Type AB when operating as Type B mode, Type B and Type C tubes as well as luminaires
- Output power of 21W max.
- 0-10V Dim
- 90 minutes operation in emergency mode
- UL Listed #E505771
- Re-charge time of 24 hours
- LED test button & indicator light

Electrical

- LiFePO₄ Battery – 16V 3.3 Ah 52.8Wh
- Max. output power: 21 watts
- Max. output current: 120mA

Rated Life

- 50,000 hours (L₇₀)

Warranty

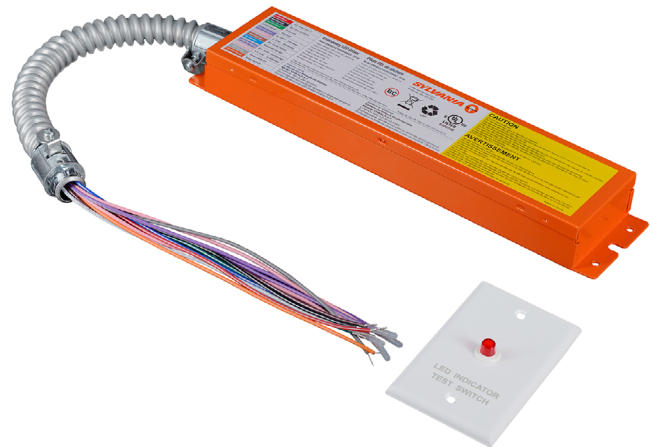
- 5-year
- NLB Trusted Warranty Program

Ambient Operating Range

- 32°F to 140°F (0°C to 60°C)
- Max. casing temp. T_c: 85°C

Product Ratings

- UL listed for dry/damp locations
- IP 20 protection



Unique selling points

- Supports Type AB when operating on Type B mode
- Supports Type B and C tubes as well as LUM
- Quality of battery pack

Suitable for

- LED tube
 - One LED tube less or equal to 21W
 - Two LED tubes less or equal 10W/tube
 - No need to connect dimming lines of input and output sides
- Pin base LED tube
- LUM – 80W max
 - Downlight
 - Troffers
 - Linear
 - Panels

Additional Specifications

- Maintenance: Please turn off the main power every three months, to let the battery operate a charging/discharging circle.
 - This will help make battery sustain a longer lifetime.
- Please check the emergency function with the push test button.
 - Battery capacity is <30% charged when factory delivers goods.



| | |
|-------------|------|
| Catalog # | Type |
| Project | |
| Comments | |
| Prepared by | |

Ordering Guide

| EMBB | 2A | 21W | UNV | DIM | DC |
|-----------------|--------------------|----------------|---------------|-------------|---------------------|
| Emergency | Max. input current | Max. wattage | Voltage | Dimmable | DC = Direct current |
| Battery Back-up | 2A = 120mA | 21W = 21 watts | UNV = 120-277 | DIM = 0-10V | |

Ordering Information

| Item Number | Ordering Abbreviation | Power (W) | Voltage (V) | Dimming |
|-------------|-----------------------|-----------|-------------|---------|
| 75740 | EMBB2A21WUNVDIMDC | 21 | 120-277 | 0-10V |

Electrical Specifications

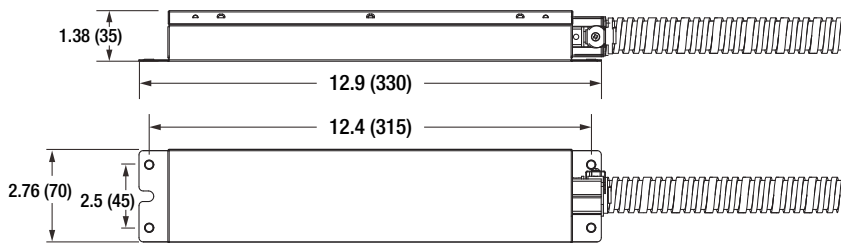
| Family | Input Characteristics | | | Output Characteristics | | |
|--------|--------------------------------|-------------------------|------------|------------------------|-------------------|----------------|
| | Input Voltage | Power Factor | Max. Power | Max. Current | Max. Output Power | Output Voltage |
| 21W | 100-277V _{AC} 50/60Hz | 0.6 @100V _{AC} | 8W | 120mA | 21W | 150-200V DC |

Why is the type of battery important?

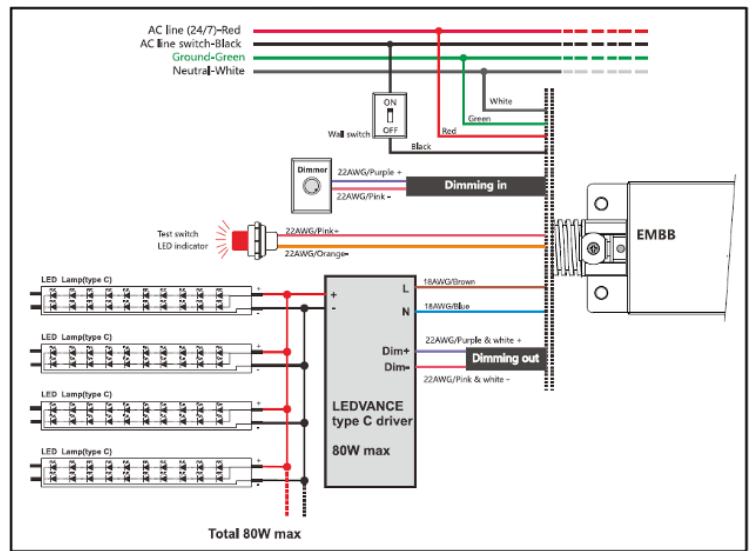
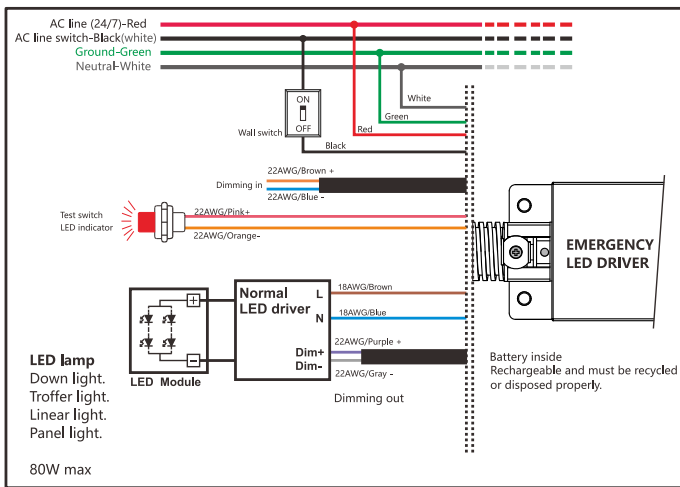
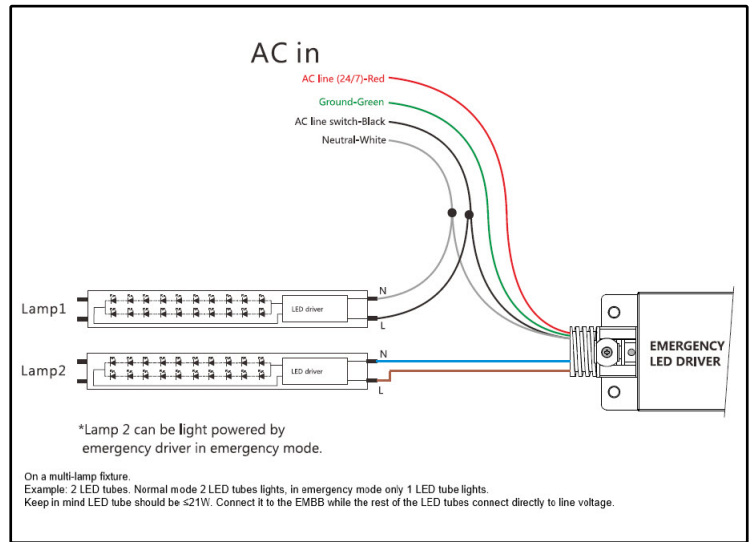
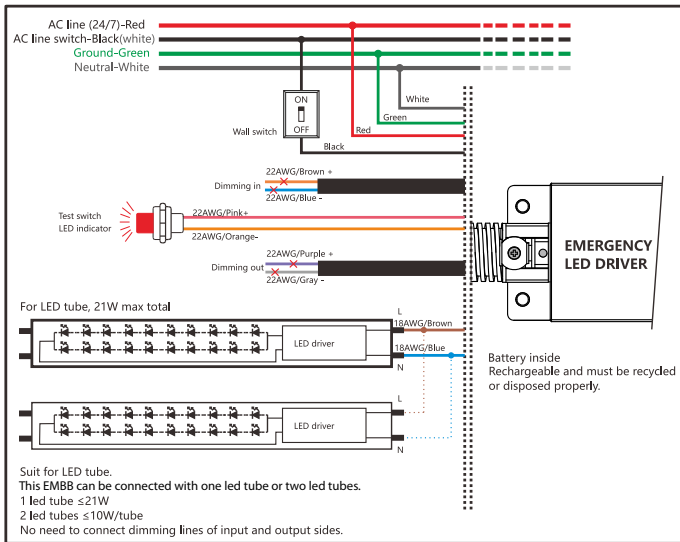
| | |
|-------------------------------------|--|
| 1. Memory Effect | LiFePO ₄ suffers none! |
| 2. ECO and Safety | LiFePO ₄ is safe! Not a fire hazard or toxic like others. |
| 3. Life Time (Cycle time) | LiFePO ₄ is (2x) as long. |
| 4. Power Density/Compactness | LiFePO ₄ has a high power density, yet compact battery. |
| 5. Charging Speed | LiFePO ₄ has a high charging speed. |

Physical Information

| Description | Length in (mm) | Width in (mm) | Height in (mm) | Weight (lbs) | SKU | CS | Layer | Pallet Count | UPC |
|-------------------|----------------|---------------|----------------|--------------|-----|----|-------|--------------|--------------|
| EMBB2A21WUNVDIMDC | 12.9 (330) | 2.95 (75) | 1.37 (35) | 4.4 | 1 | 6 | 60 | 540 | 046135757402 |



Wiring Diagrams



LEDVANCE LLC
181 Ballardvale Street, Suite 203
Wilmington, MA 01887 USA
Phone 1-800-LIGHTBULB (1-800-544-4828)
www.ledvanceUS.com

SYLVANIA and LEDVANCE are registered trademarks.
All other trademarks are those of their respective owners.
Licensee of product trademark SYLVANIA in general lighting.
Specifications subject to change without notice.



SCAN TO FOLLOW US
ON SOCIAL MEDIA

