

# SYLVANIA Luminaires

## UltraLED™ RT Downlight Dual Selectable

### Application

The SYLVANIA UltraLED RT Downlight Dual Selectable luminaires are offered in 4", 6", 8" and 10" sizes and provide high performing light optimized for both new construction and retrofit applications where pin-based compact fluorescent lamps have previously been used. Installation is done quickly and easily in most standard frames. The CCT and lumen selectable switches on the base of the fixture allow for customizable light color temperature and adjustable lumen output, offering up to 41% energy savings when compared to traditional technologies. The luminaires are emergency battery back-up ready.

### Benefits and Features

- Spinning aluminum construction
- CCT selectable light enabled through the switch located on the base of the product (4 light colors in the same product)
- Lumen selectable enabled through the switch located on the base of the product (3 lumen levels in the same product)
- ENERGY STAR® listed to maximize rebate opportunities
- Emergency Battery Backup Ready (field installable)
- Wet Rated
- Trim extenders available as accessories
- Up to 91 LPW
- CRI >90
- Uniform, glare free illumination
- Energy savings up to 41%

### Electrical

- 120-277VAC/120-347VAC
- Power Factor >0.9
- THD <20%
- 0-10V dimmable

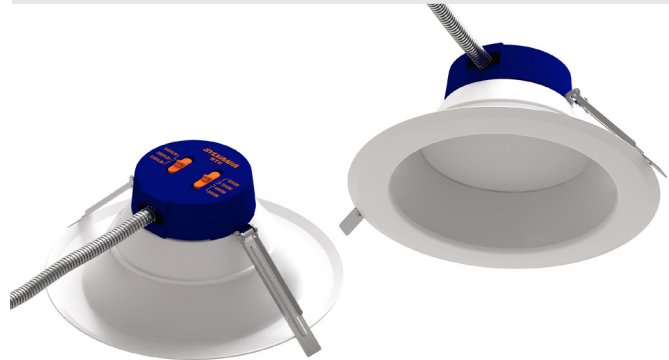
### Rated Life

- 50,000 hours (L<sub>70</sub>)

### Warranty

- 5-year
- NLB Trusted Warranty Program

|         |
|---------|
| Item #  |
| Type    |
| Project |
| Notes   |
| Date    |



### Wattage Comparison

| Traditional Source | Traditional System Wattage | LED System Wattage | Energy Savings |
|--------------------|----------------------------|--------------------|----------------|
| Fluorescent        | 8/11/14W                   | 7/8/9W             | Up to 36%      |
| Fluorescent        | 8/14/15W                   | 7/9/11W            | Up to 26%      |
| Fluorescent        | 15/23/27W                  | 14/18/24W          | Up to 22%      |
| Fluorescent        | 2x17/2x19/2x23W            | 25/29/35W          | Up to 24%      |
| Fluorescent        | 2x23/2x24/2x27W            | 32/37/43W          | Up to 23%      |
| Fluorescent        | 8/11/14W                   | 7/9/12W            | Up to 14%      |
| Fluorescent        | 15/23/27W                  | 10/18/23W          | Up to 15%      |
| Fluorescent        | 27/2x17/2x23W              | 20/28/34W          | Up to 26%      |
| Fluorescent        | 2x15/2x23/2x27W            | 12/16/22W          | Up to 41%      |

### Operating Temperature

- -4°F to +104°F (-20°C to +40°C)

### Certifications and Listings

- cETLus
- RoHS
- FCC
- ENERGY STAR
- T2

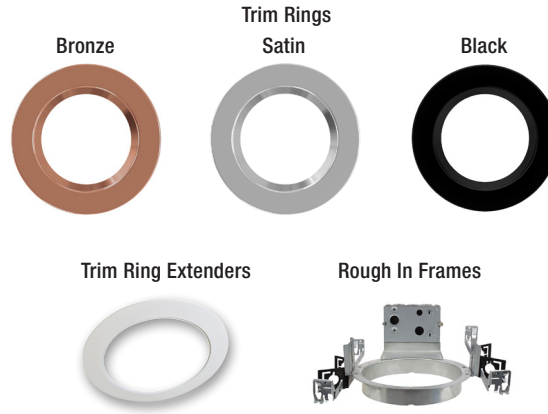
### Installation

Installation performed as a stand-alone kit (without frame) is recommended for hard ceiling. Installation of a recessed incandescent frame is recommended for tiled ceiling application for proper support of the retrofit kit.



## Accessories

| Item Number       | Ordering Abbreviation | Item Description     |
|-------------------|-----------------------|----------------------|
| <b>Trim Rings</b> |                       |                      |
| 65710             | RT4TRIM5ADKBZ         | 4" Bronze Trim Ring  |
| 65711             | RT4TRIM5ASN           | 4" Satin Trim Ring   |
| 65712             | RT4TRIM5ABLK          | 4" Black Trim Ring   |
| 65713             | RT6TRIM5ADKBZ         | 6" Bronze Trim Ring  |
| 65714             | RT6TRIM5ASN           | 6" Satin Trim Ring   |
| 65715             | RT6TRIM5ABLK          | 6" Black Trim Ring   |
| 65716             | RT8TRIM5ADKBZ         | 8" Bronze Trim Ring  |
| 65717             | RT8TRIM5ASN           | 8" Satin Trim Ring   |
| 65718             | RT8TRIM5ABLK          | 8" Black Trim Ring   |
| 65719             | RT10TRIM5ADKBZ        | 10" Bronze Trim Ring |
| 65720             | RT10TRIM5ASN          | 10" Satin Trim Ring  |
| 65721             | RT10TRIM5ABLK         | 10" Black Trim Ring  |



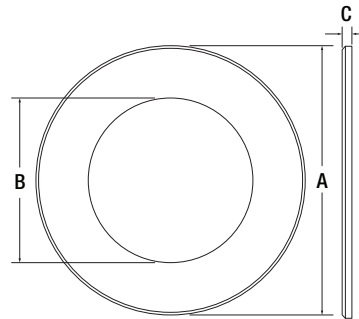
| <b>Trim Ring Extenders</b> |                 |                                    |
|----------------------------|-----------------|------------------------------------|
| 65683                      | RT68TRIMEXT5A   | Trim extender for 8" cans          |
| 65684                      | RT810TRIMEXT5A  | Trim extender for 10" cans         |
| 65685                      | RT812TRIMEXT5A  | Trim extender for 12" cans         |
| 62366                      | RT1012TRIMEXT5A | Trim extender for 10" and 12" cans |

| <b>RT5/6 Rough In Frame</b> |                 |                            |
|-----------------------------|-----------------|----------------------------|
| 71708                       | LED/RT6HO/FRAME | 6" recessed rough-in frame |

| <b>RT8 Rough In Frame</b> |               |                            |
|---------------------------|---------------|----------------------------|
| 71709                     | LED/RT8/FRAME | 8" recessed rough-in frame |

### Trim Ring Extender Dimensions

| Product Description | (A) Outer Diameter in (mm) | (B) Inner Diameter in (mm) | (C) Thickness in (mm) |
|---------------------|----------------------------|----------------------------|-----------------------|
| 65683               | 9.44 (240.00)              | 5.44 (138.73)              | 0.375 (9.50)          |
| 65684               | 11.44 (290.80)             | 7.125 (180.75)             | 0.438 (10.50)         |
| 65685               | 13.44 (341.60)             | 7.125 (180.75)             | 0.438 (10.80)         |
| 62366               | 13.44 (341.60)             | 8.125 (205.83)             | 0.438 (10.80)         |



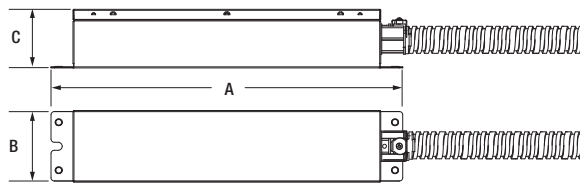
## Emergency Battery Back-Up Accessories

For the EMBB application you must use the field-installable emergency back-up components listed below (sold separately).

### Emergency Battery Back-Up Specs

| NAED  | Description   | Input Voltage          | Frequency | Input Current | Watt Hours | Max Mounting Height | Ambient Temp | Charging Time | Rating | Warranty |
|-------|---------------|------------------------|-----------|---------------|------------|---------------------|--------------|---------------|--------|----------|
| 62367 | EMBB2A8WUNVDC | 100-277V <sub>AC</sub> | 50/60Hz   | 120mA Max     | 33.6Wh     | 21.6ft              | 0-50°C       | 24 hours      | Damp   | 5 years  |
| 62368 | EMBB2A8WUNHDC | 100-347V <sub>AC</sub> | 50/60Hz   | 120mA Max     | 33.6Wh     | 21.6ft              | 0-50°C       | 24 hours      | Damp   | 5 years  |

| Description | (A) Length in (mm) | (B) Width in (mm) | (C) Height in (mm) |
|-------------|--------------------|-------------------|--------------------|
| EMBB        | 12.9 (330)         | 2.6 (67)          | 2.2 (55)           |



### Compatibility Table

| RT NAED     | RT                  | NAED        | EMBB Multi-listing              | EMBB Wattage (W)* | EM Lumens (lm)* |
|-------------|---------------------|-------------|---------------------------------|-------------------|-----------------|
| 65686       | RT4S700UNVD9275A    |             |                                 | 8                 | 700             |
| 65687       | RT4S700UNVD9SC85A   |             |                                 | 8                 | 700             |
| 65688       | RT6S900UNVD9275A    |             |                                 | 11                | 900             |
| 65689       | RT6S900UNVD9SC85A   | 62367/62368 | EMBB2A8WUNVDC/<br>EMBB2A8WUNHDC | 11                | 900             |
| 65690       | RT6S2000UNVD9SC85A  |             |                                 | 13                | 1400            |
| 65691       | RT8S3300UNVD9SC85A  |             |                                 | 13                | 1550            |
| 65692       | RT10S4000UNVD9SC85A |             |                                 | 13                | 1600            |
| 65693       | RT4S1000UNH9SC85A   |             |                                 | 8                 | 700             |
| 65694/65709 | RT6S2000UNX9SC85A   | 62368       | EMBB2A8WUNHDC                   | 13                | 1400            |
| 65695       | RT8S3000UNH9SC85A   |             |                                 | 13                | 1550            |

\*At the highest lumen level