

Emergency Exit Series

Edge-Lit Emergency Exit Sign



Features:

- 6" height red and green letter optional
- Single and double face universal design
- Easy installation
- Replacable acrylic EXIT panel
- Test switch and battery charging indicator
- Maintenance free Ni-Cad battery
- 3 Year Warranty



(Mirror finish - available in red and green.)

(Clear finish - available in red and green.)

EXEL G1
Emergency Exit Sign

CATALOG

| Product Number | Description |
|----------------------|---|
| EXEL G1 S R C | Edge-Lit Emergency Exit Sign - Red, Clear finish |
| EXEL G1 S G C | Edge-Lit Emergency Exit Sign - Green, Clear finish |
| EXEL G1 D R M | Edge-Lit Emergency Exit Sign - Red, Mirror finish, Double sided |
| EXEL G1 D G M | Edge-Lit Emergency Exit Sign - Green, Mirror finish, Double sided |

Specifications

Voltage

120/277V AC

Housing

Aluminum housing with high grade acrylic panel.

Mounting

Wall mounting, ceiling mounting, side mounting.

Operating Temperature

10°C to 40°C (50°F to 104°F)

LED Color

Green or Red

Certifications

UL listed for damp locations, NFPA 70, NFPA 101 life safety code. Complies with CEC title 20 efficiency regulations.

Finish

Clear or mirror

Warranty

3 Year warranty

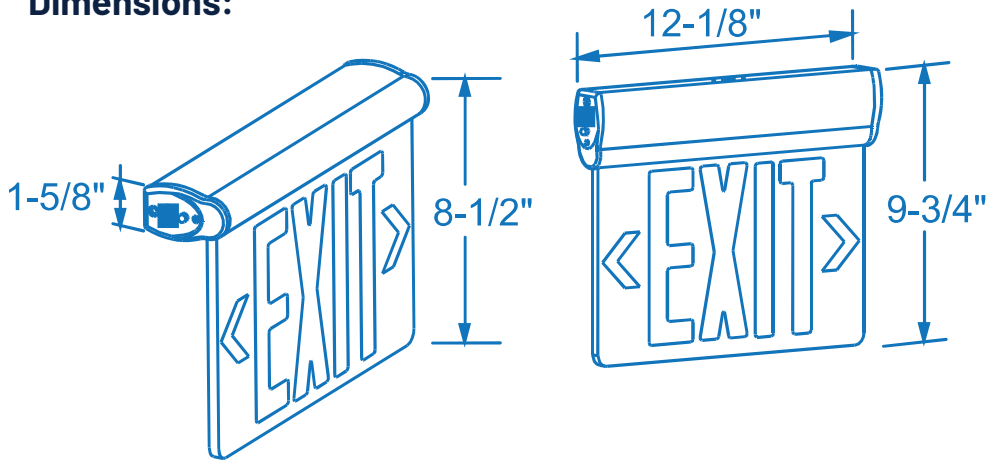
ORDERING GUIDE

Example: **EXEL G1 S G C**

| Fixture Type | Material | Generation | Voltage | Sides | LED Color | Finish |
|----------------------------|----------------------|------------------------------|-----------------------------|--|--|---|
| • EX Emergency Exit | • EL Edge-Lit | • G1 First Generation | • BLANK 120/277 V | • S Single sided • D Double sided | • R Red • G Green | • C Clear • M Mirrored |

Due to continuous product improvements, specification and/or equipment updates may change without notice.

Dimensions:



Parameters



| Model | EXEL G1S R C | EXEL G1S G C | EXEL G1D R M | EXEL G1D G M |
|---------------------|-------------------|-------------------|-------------------|-------------------|
| Battery | Ni-Cad 4.8V300mAh | Ni-Cad 4.8V300mAh | Ni-Cad 4.8V300mAh | Ni-Cad 4.8V300mAh |
| Recharge Time | 24 Hours | 24 Hours | 24 Hours | 24 Hours |
| Emergency Duration | >90 Minutes | >90 Minutes | >90 Minutes | >90 Minutes |
| Input Voltage Freq. | 120/277V 60Hz | 120/277V 60Hz | 120/277V 60Hz | 120/277V 60Hz |
| Input Current | 31/14mA | 31/14mA | 33/15mA | 33/15mA |
| Power Consumption | 3.14W | 3.14W | 2.94W | 2.94W |