

# EncapSulite International

*2014-2015 Product Catalog*



# EncapSulite Overview

## Great Reasons to Buy from EncapSulite International

---

Since 1969, EncapSulite International has been in the safety lighting business. We specialize in the design, development, manufacturing and distribution of safety lighting products for industries worldwide. Our products will deliver the maximum return on your safety lighting investment. Our products are designed for industries as diverse as: Food Processing, Supermarkets, Restaurants, Clothing, Furniture, Retail Stores, Museum, Printing & Publishing, Pharmaceutical, Screen Printing, Hospital & Medical X-Ray, Industrial X-Ray, Trade Show & Exhibition, Semiconductor, Printed Circuit & Wafer Manufacturing, Original Equipment Manufacturers (OEM) and the US Government. We have earned the business and respect of customers worldwide by providing fast accurate service from our manufacturing facilities in the USA, Canada, Germany, England and New Zealand. Distribution is provided through over 2000 factory approved authorized distributors worldwide. EncapSulite is customer friendly. Our e-mail, fax machines and voice mail are always ready to take your orders, comments and suggestions twenty four hours per day seven days per week. Our customer service department is at your service 8 am to 5 pm CST. Visit our website at [www.encapsulite.com](http://www.encapsulite.com).

## EncapSulite's Customer Commitment

---

EncapSulite is committed to the development, manufacturing, and distribution of the highest quality products. We value our commitment to service before and after the sale and will always strive to do the job right the first time. We will continually listen and understand our customer's needs, and will never be knowingly undersold on any product of equal performance.

## Contact

---



*EncapSulite, Rosenberg, TX*

### **US FACTORY & OFFICE**

EncapSulite International Inc.  
1220 Bamore Road,  
Rosenberg, Texas 77471

**P** (281) 239-0225

**F** (281) 239-0980

**TF** (877) 227-8756

**E** [info@encapsulite.com](mailto:info@encapsulite.com)

**W** [www.encapsulite.com](http://www.encapsulite.com)

### **UK FACTORY & OFFICE**

EncapSulite International, Limited  
Unit 17, Chartwell Business Park  
Chartmoor Road, Leighton Buzzard  
Bedfordshire, LU7 4WG

**P** 0114 1525 376974

**F** 0114 1525 850306

**E** [reply@encapsulite.co.uk](mailto:reply@encapsulite.co.uk)

**W** [www.encapsulite.co.uk](http://www.encapsulite.co.uk)



## Table of Contents

---

WaterGuard LED - Plus - Max Waterproof Fluorescent Fixtures	2 - 4
UltraGuard High Temperature Safety Coated Fluorescent Lamps	6 - 19
ProGuard PC Standard Temperature Safety Coated Fluorescent Lamps	20 - 32
Safety Coated Fluorescent Lamps Certifications	34 - 35
PROMOLUX Shatterproof Fluorescent Lamps	36 - 37
ShardGuard PTFE Safety Coated Lamps	38 - 41
PolarGuard Low Temperature Jacketed Lamps	42
Shatterproof Gold Semiconductor Fluorescent Lamps	43
Terms and Conditions of Sale	45

# WaterGuard® LED - WaterGuard® PLUS - WaterGuard® MAX Washdown Fixtures

Applications include Product Inspection, Food Plants, Amusement Parks, Car Washes, Parking Garages, Food Processing, Seacoast Areas, Tunnels, Greenhouses, Signage, Water Treatment Plants, Bridges, Decorative Lighting and Corrosive Areas. WaterGuard Plus & WaterGuard LED casing manufactured from XYLEX 8300 HP. All fixtures rated to withstand high pressure washdown up to 1200 PSI. Photometrics available to download at [www.encapsulite.com](http://www.encapsulite.com). All products IP67 Rated.



## WaterGuard® LED Fixtures

UL Listed 1598 (Wet Location) - UL 8750 (LED) - UL-EPH Certified. Fixture includes 60,000hr 5000K Sylvania LED's, other Kelvin temperatures available upon request, Universal Voltage LED Driver 120-277 50/60HZ, two heavy duty non-metallic fixed mounting brackets, Factory pre-wired with 8 foot black cord and plug. Optional suspension mounting methods available at additional cost. WaterGuard fixtures should only be cleaned with a mild soap and water solution. Do not use industrial cleaners or solvents. **Not recommended for permanent immersion.** Limited Three-Year Warranty. FEP coating available on clear housing for extreme caustic or chemical environments at additional cost.

PART NUMBER	LENGTH	DIAMETER	WATTAGE	CRI	KELVIN	VOLTAGE	MAX AMBIENT TEMP	MIN TEMP	LUMENS
WGP74LED	48 Inches	2.75 Inches	25	> 80	5000K	120 - 277V 50/60Hz	110°F	-40°F	2700lm
WGP78LED	96 Inches	2.75 Inches	50	> 80	5000K	120 - 277V 50/60Hz	110°F	-40°F	5400lm



## WaterGuard® PLUS Fluorescent Fixtures SINGLE T5 SERIES

UL Listed 1598. UL-EPH Certified. Standard fixture includes two heavy duty non-metallic fixed mounting brackets, Electronic Program Start Ballast. Universal Voltage 120-277 50/60HZ, Factory pre-wired with 8 foot black cord and plug. High efficiency reflector system to increase foot candles directly under fixture, 4100 Kelvin T5 safety coated lamps included. Other Kelvin temperature lamps available upon request. Optional suspension mounting methods available at additional cost. WaterGuard fixtures should only be cleaned with a mild soap and water solution. Do not use industrial cleaners or solvents. **Not recommended for permanent immersion.** Limited One-Year Warranty.

PART NUMBER	LENGTH	DIAMETER	LAMPS	WATTAGE	CRI	KELVIN	VOLTAGE	MAX AMBIENT TEMP	MIN TEMP	LUMENS
WGP511	12 inches	2 inches	1	8	60	4100K	120v 50/60Hz	150°F	-20°F	345lm
WGP512	24 inches	2 inches	1	14	85	4100K	120 - 277V 50/60Hz	150°F	-20°F	875lm
WGP513	36 inches	2 inches	1	21	85	4100K	120 - 277V 50/60Hz	150°F	-20°F	1435lm
WGP514	48 inches	2 inches	1	28	85	4100K	120 - 277V 50/60Hz	150°F	-20°F	2045lm
WGP515	60 inches	2 inches	1	35	85	4100K	120 - 277V 50/60Hz	150°F	-20°F	2680lm

# WaterGuard® LED - WaterGuard® PLUS - WaterGuard® MAX Washdown Fixtures



## WaterGuard® PLUS Fluorescent Fixtures SINGLE T8 & DOUBLE T5 SERIES

UL Listed 1598. UL-EPH Certified. Standard fixture includes two heavy duty non-metallic fixed mounting brackets, Electronic Program Start Ballast. Universal Voltage 120-277 50/60HZ, Factory pre-wired with 8 foot black cord and plug. High efficiency reflector system to increase foot candles directly under fixture, 4100 Kelvin T5 or T8 safety coated lamps included. Other Kelvin temperature lamps available upon request. Optional suspension mounting methods available at additional cost. WaterGuard fixtures should only be cleaned with a mild soap and water solution. Do not use industrial cleaners or solvents. **Not recommended for permanent immersion.** FEP coating available on clear housing for extreme caustic or chemical environments at additional cost. Limited One-Year Warranty.

PART NUMBER	LENGTH	DIAMETER	LAMP TYPE	LAMPS	WATTAGE	CRI	KELVIN	VOLTAGE	MAX AMBIENT TEMP	MIN TEMP	LUMENS
WGP712	24 inches	2.75 inches	T8	1	17	82	4100K	120 - 277V 50/60Hz	150°F	-20°F	1100lm
WGP722	24 inches	2.75 inches	T5	2	28	85	4100K	120 - 277V 50/60Hz	150°F	-20°F	1400lm
WGP713	36 inches	2.75 inches	T8	1	25	82	4100K	120 - 277V 50/60Hz	150°F	-20°F	1700lm
WGP723	36 inches	2.75 inches	T5	2	42	85	4100K	120 - 277V 50/60Hz	150°F	-20°F	2300lm
WGP714	48 inches	2.75 inches	T8	1	32	85	4100K	120 - 277V 50/60Hz	150°F	-20°F	2500lm
WGP724	48 inches	2.75 inches	T5	2	56	85	4100K	120 - 277V 50/60Hz	150°F	-20°F	3300lm
WGP715	60 inches	2.75 inches	T8	1	40	85	4100K	120 - 277V 50/60Hz	150°F	-20°F	3000lm
WGP725	60 inches	2.75 inches	T5	2	70	85	4100K	120 - 277V 50/60Hz	150°F	-20°F	4100lm
WGP748	96 inches	2.75 inches	T5	4	112	85	4100K	120 - 277V 50/60Hz	150°F	-20°F	6700lm



## WaterGuard® MAX Fluorescent Fixtures QUAD T5HO

UL Listed 1598. UL-EPH Certified. Standard fixture includes two stainless steel hanging straps, Electronic Program Start Ballast. Universal Voltage 120-277 50/60HZ, Factory pre-wired with 8 foot black cord and plug. WaterGuard fixtures should only be cleaned with a mild soap and water solution. Do not use industrial cleaners or solvents. Standard fixture includes Anodized Aluminum end caps. **Not recommended for permanent immersion.** Limited One-Year Warranty.

PART NUMBER	LENGTH	DIAMETER	LAMP TYPE	LAMPS	WATTAGE	CRI	KELVIN	VOLTAGE	MAX AMBIENT TEMP	MIN TEMP	LUMENS
WGM644	48 inches	6 inches	T5HO	4	196	85	4100K	120 - 277V 50/60Hz	100°F	-20°F	11300lm

# WaterGuard® LED - WaterGuard® PLUS - WaterGuard® MAX Washdown Fixtures

## WATERGUARD REPLACEMENT PARTS

MODEL WaterGuard Fixture	TUBE Xylex 8300HP	BALLAST/ DRIVER	BRACKETS Flush Mount (Hardware Included)	SS STRAPS Stainless Steel Hanging Straps	END CAP SET (Includes 2 End Caps, Cable Gland, O-Rings, Hardware)	LAMPHOLDER Twist Lock (Sold Individually)
WGP511	PWG011	PWG018	PWGB-50	PWGB-SS-50	PWG034	PWG036
WGP512	PWG012	PWG019	PWGB-50	PWGB-SS-50	PWG034	PWG036
WGP513	PWG013	PWG019	PWGB-50	PWGB-SS-50	PWG034	PWG036
WGP514	PWG014	PWG019	PWGB-50	PWGB-SS-50	PWG034	PWG036
WGP515	PWG015	PWG019	PWGB-50	PWGB-SS-50	PWG034	PWG036
WGP712	PWG001 <sup>2</sup>	PWG016	PWGB-70	PWGB-SS-70	PWG033	PWG035
WGP713	PWG002 <sup>2</sup>	PWG016	PWGB-70	PWGB-SS-70	PWG033	PWG035
WGP714	PWG003 <sup>2</sup>	PWG016	PWGB-70	PWGB-SS-70	PWG033	PWG035
WGP715	PWG004 <sup>2</sup>	PWG016	PWGB-70	PWGB-SS-70	PWG033	PWG035
WGP722	PWG001 <sup>2</sup>	PWG017	PWGB-70	PWGB-SS-70	PWG033	PWG037
WGP723	PWG002 <sup>2</sup>	PWG017	PWGB-70	PWGB-SS-70	PWG033	PWG037
WGP724	PWG003 <sup>2</sup>	PWG017	PWGB-70	PWGB-SS-70	PWG033	PWG037
WGP725	PWG004 <sup>2</sup>	PWG017	PWGB-70	PWGB-SS-70	PWG033	PWG037
WGP748	PWG009 <sup>2</sup>	PWG017 <sup>1</sup>	PWGB-748	PWGB-SS-748	PWG033	PWG037
WGM644	PWG010	PWG020	N/A	PWSS-MAX	PWG040	PWG037
WGP74LED	PWG050 <sup>2</sup>	PWG023	PWGB-70	PWGB-SS-70	PWG033	N/A
WGP78LED	PWG009 <sup>2</sup>	PWG023 <sup>1</sup>	PWGB-748	PWGB-SS-748	PWG033	N/A

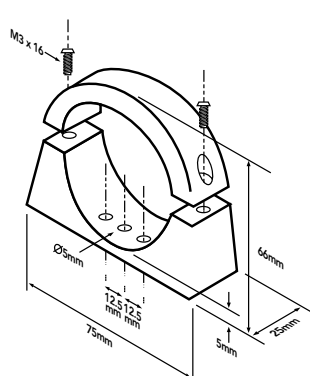
<sup>1</sup> WaterGuard WGP748 requires (2) Ballast and the WGP78LED requires (2) drivers

<sup>2</sup> FEP coating available on WaterGuard tube for extremely caustic or harsh chemical environments

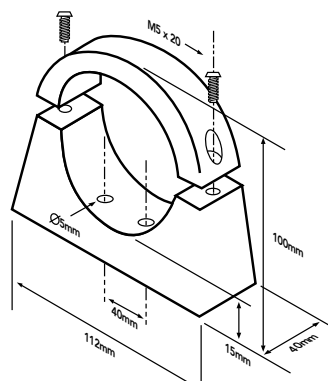
## WATERGUARD GRIPPLE MOUNTING BRACKETS

Completely Stainless Steel. Set includes cables with snap hook ends. Each cable rated for 100lbs.

GRIP-5	5 foot Gripple Hanger Kit
GRIP-10	10 foot Gripple Hanger Kit
GRIP-15	15 foot Gripple Hanger Kit
GRIP748-5	5 foot Gripple Hanger Kit
GRIP748-10	10 foot Gripple Hanger Kit
GRIP748-15	15 foot Gripple Hanger Kit



**PWGB-50 MOUNTING BRACKET**



**PWGB-70 MOUNTING BRACKET**



**GRIPPLE MOUNTING BRACKET**



# UltraGuard High Temperature Safety Coated Fluorescent Lamps

Improved Safety for the Food and Pharmaceutical Industries



EncapSulite® International developed a new technology to utilize the high temperature properties of E.I. DuPont FEP for the safety of T5-T5HO, T8 and T12 fluorescent lamps. This new technology is the answer for lamps that are specified for use in closed and open fixtures and harsh environments.

## ENCAPSULITE ULTRAGUARD FEP HIGH PERFORMANCE SAFETY COATING

Cost effective - the coating is guaranteed for the rated life of the fluorescent lamp. Do not be fooled by imitators using other plastics that cannot handle the heat and/or the UV. Ask for a written safety coating guarantee for the rated life of the lamp in a closed fixture. The high mechanical strength safety coating is clear and tough - reduces light output by less than 1% and is a minimum of 10-mils thick. For additional information, visit [www.encapsulite.com/safetycoated.html](http://www.encapsulite.com/safetycoated.html).

### FEATURES

Designed for Closed & Open Fixtures  
Shatterproof Coating  
Will Not Crack or Yellow  
Transmits UV

### APPLICATIONS

High-Bay Lighting Applications, Germicidal,  
Food Processing, Warehouse, Retail, Grocery,  
Pharmaceutical, HVAC, Aquariums,  
Bug Zappers.

## WARRANTY FLUORESCENT SAFETY COATED LAMPS

EncapSulite International's UltraGuard FEP fluorescent safety coating is guaranteed for the published rated life of the lamp as listed on the lamp manufacturers website or lamp catalog. If the coating should turn yellow, crack, or otherwise fail before the end of the rated life of the lamp, EncapSulite will refund the full purchase price as shown on the invoice subject to the following conditions. Lamps may be used in open or closed "vapor tight" fixtures. The UltraGuard safety coating is for use with T5 / T5HO & long-life 24,000 hour plus T8 lamps.

- The lamps must be used in ambient temperatures below 400° F.
- UltraGuard coated lamps must not be used with defective ballasts or fixtures with defective wiring.
- UltraGuard safety coated lamps may be used with low, normal or high power factor ballasts.
- UltraGuard lamps must be used with lampholders that provide adequate contact.
- UltraGuard lamps must be used with the proper type of ballast to match the lamp type (rapid-start or instant-start with end-of-life shutdown circuitry).
- UltraGuard lamps can be used with motion-sensor systems with time interval of 20 minutes or more.
- EncapSulite International reserves the right to inspect the site where a lamp safety coating failed.
- This warranty does not apply if the merchandise has been damaged by accident, misuse, application beyond that stated. No other warranty is expressed or implied. EncapSulite International is not liable for consequential damage or costs.

## SYLVANIA, PHILIPS & GE LIGHTING SERIES

EncapSulite can provide quality, cost-effective, eco-efficient lighting products that can deliver immediate cost savings, reduced maintenance costs, and enhanced worker performance and productivity.

## COATING ONLY SERVICE FOR CUSTOMER SUPPLIED LAMPS

EncapSulite offers a low cost service for the volume safety coated lamp user. Ship your lamps to the EncapSulite plant and we will safety coat the lamps with our UltraGuard FEP safety coating and return to the destination of your choice. Economical, Efficient, Quick.

COATING ONLY PRICING AVAILABLE FOR CUSTOMER SUPPLIED LAMPS UPON REQUEST.

## Sylvania T5 UltraGuard FEP

PRODUCT CODE	ORDERING ABBREVIATION	LAMP LENGTH	PKG. QTY.	WATTS	TYPE	PIN	AVG RATED LIFE	CCT (K)	CRI	APPROX LUMENS
<b>SYLVANIA T5 ULTRAGUARD FEP</b>										
<b>Sylvania - PREHEAT-Minature (Starter Req)</b>										
S21364T	F4T5/CW	6	25	4	T5	Mini Bipin	6000	4200	60	115
S21365T	F6T5/CW	9	25	6	T5	Mini Bipin	7500	4200	60	235
S21367T	F8T5/WW	12	25	8	T5	Mini Bipin	7500	3000	52	350
S21366T	F8T5/CW	12	25	8	T5	Mini Bipin	7500	4100	60	350
S21367T	F13T5/WW	21	25	13	T5	Mini Bipin	7500	3000	52	765
S21368T	F13T5/CW	21	25	13	T5	Mini Bipin	7500	4200	60	750
<b>Sylvania - 24" 14 Watt PENTRON High Performance</b>										
S20907T	FP14/830/ECO	24	40	14	T5	Mini Bipin	22000	3000	85	1255
S20908T	FP14/835/ECO	24	40	14	T5	Mini Bipin	22000	3500	85	1255
S20914T	FP14/841/ECO	24	40	14	T5	Mini Bipin	22000	4100	85	1255
S20988T	FP14/865/ECO	24	40	14	T5	Mini Bipin	22000	6500	85	1235
<b>Sylvania - 36" 21 Watt PENTRON High Performance</b>										
S20919T	FP21/830/ECO	36	40	21	T5	Mini Bipin	22000	3000	85	1955
S20921T	FP21/835/ECO	36	40	21	T5	Mini Bipin	22000	3500	85	1955
S20924T	FP21/841/ECO	36	40	21	T5	Mini Bipin	22000	4100	85	1955
<b>Sylvania - 48" 28 Watt PENTRON High Performance</b>										
S20868T	FP28/830/ECO	48	40	28	T5	Mini Bipin	36000	3000	85	2695
S20901T	FP28/835/ECO	48	40	28	T5	Mini Bipin	36000	3500	85	2695
S20902T	FP28/841/ECO	48	40	28	T5	Mini Bipin	36000	4100	85	2640
S22203T	FP28/850/ECO	48	40	28	T5	Mini Bipin	36000	5000	85	2560
S20990T	FP28/865/ECO	48	40	28	T5	Mini Bipin	36000	6500	85	2558
<b>Sylvania - 60" 35 Watt PENTRON High Performance</b>										
S20925T	FP35/830/ECO	60	40	35	T5	Mini Bipin	22000	3000	85	3395
S20926T	FP35/835/ECO	60	40	35	T5	Mini Bipin	22000	3500	85	3395
S20927T	FP35/841/ECO	60	40	35	T5	Mini Bipin	22000	4100	85	3395
<b>SYLVANIA T5HO ULTRAGUARD FEP</b>										
<b>Sylvania - 24" 24 Watt PENTRON High Performance HO</b>										
S20928T	FP24/830/HO/ECO	24	40	24	T5	Mini Bipin	36000	3000	85	1860
S20929T	FP24/835/HO/ECO	24	40	24	T5	Mini Bipin	36000	3500	85	1860
S20931T	FP24/841/HO/ECO	24	40	24	T5	Mini Bipin	36000	4100	85	1860
<b>Sylvania - 36" 39 Watt PENTRON High Performance HO</b>										
S20932T	FP39/830/HO/ECO	36	40	39	T5	Mini Bipin	36000	3000	85	3255
S20933T	FP39/835/HO/ECO	36	40	39	T5	Mini Bipin	36000	3500	85	3255
S20934T	FP39/841/HO/ECO	36	40	39	T5	Mini Bipin	36000	4100	85	3255
<b>Sylvania - 48" 47 Watt PENTRON High Performance HO SS</b>										
S20447T	FP54/47W/841/HO/SS/ECO	48	40	47	T5	Mini Bipin	40000	4100	85	4050
S20448T	FP54/47W/850/HO/SS/ECO	48	40	47	T5	Mini Bipin	40000	5000	85	3950

CONTINUED...



EncapSulite® International Inc. takes great pride in being the ONLY safety coater in the United States able to provide a coating that is both UL Recognized for Safety and UL-EPH Certified for Food Applications. The UL-EPH certification and the UL Recognized component recognition for the coating insure that we are in compliance with all FDA, USDA and OSHA requirements.

COATING ONLY PRICING AVAILABLE FOR CUSTOMER SUPPLIED LAMPS UPON REQUEST.

## Sylvania T5 UltraGuard FEP (continued)

PRODUCT CODE	ORDERING ABBREVIATION	LAMP LENGTH	PKG. QTY.	WATTS	TYPE	PIN	AVG RATED LIFE	CCT (K)	CRI	APPROX LUMENS
<b>SYLVANIA T5HO ULTRAGUARD FEP (continued)</b>										
<b>Sylvania - 48" 50 Watt PENTRON High Performance HO SS</b>										
S21070T	FP54/50W/830/HO/SS/ECO	48	40	50	T5	Mini Bipin	40000	3000	85	4650
S21071T	FP54/50W/835/HO/SS/ECO	48	40	50	T5	Mini Bipin	40000	3500	85	4650
S20964T	FP54/50W/841/HO/SS/ECO	48	40	50	T5	Mini Bipin	40000	4100	85	4464
S21072T	FP54/50W/850/HO/SS/ECO	48	40	50	T5	Mini Bipin	40000	5000	85	4255
<b>Sylvania - 48" 54 Watt PENTRON High Performance HO XL</b>										
S20197T	FP54/835/HO/XL/ECO	48	40	54	T5	Mini Bipin	60000	3500	85	4650
S20198T	FP54/841/HO/XL/ECO	48	40	54	T5	Mini Bipin	60000	4100	85	4560
S20199T	FP54/850/HO/XL/ECO	48	40	54	T5	Mini Bipin	60000	5000	85	4650
<b>Sylvania - 48" 54 Watt PENTRON High Performance HO</b>										
S20903T	FP54/830/HO/ECO	48	40	54	T5	Mini Bipin	40000	3000	85	4650
S20904T	FP54/835/HO/ECO	48	40	54	T5	Mini Bipin	40000	3500	85	4650
S20906T	FP54/841/HO/ECO	48	40	54	T5	Mini Bipin	40000	4100	85	4650
S20949T	FP54/850/HO/ECO	48	40	54	T5	Mini Bipin	40000	5000	85	4420
S20862T	FP54/865/HO/ECO	48	40	54	T5	Mini Bipin	40000	6500	85	4418
<b>Sylvania - 48" 54 Watt PENTRON Wide Temperature HO</b>										
S21042T	FP54/835/C/HO/ECO	48	40	54	T5	Mini Bipin	35000	3500	85	4655
S21043T	FP54/841/C/HO/ECO	48	40	54	T5	Mini Bipin	35000	4100	85	4655
S21044T	FP54/850/C/HO/ECO	48	40	54	T5	Mini Bipin	35000	5000	85	4560
<b>Sylvania - 60" 80 Watt PENTRON High Performance HO</b>										
S20935T	FP80/830/HO/ECO	60	40	80	T5	Mini Bipin	30000	3000	85	6510
S20936T	FP80/835/HO/ECO	60	40	80	T5	Mini Bipin	30000	3500	85	6510
S20937T	FP80/841/HO/ECO	60	40	80	T5	Mini Bipin	30000	4100	85	6510

## Sylvania T8 UltraGuard FEP

PRODUCT CODE	ORDERING ABBREVIATION	LAMP LENGTH	PKG. QTY.	WATTS	TYPE	PIN	AVG RATED LIFE	CCT (K)	CRI	APPROX LUMENS
<b>SYLVANIA T8 ULTRAGUARD FEP 12"- 36"</b>										
<b>Sylvania - PREHEAT LAMPS STANDARD (Starter Req)</b>										
S21766T	F13T8/CW	12	24	13	T8	Med Bipin	7500	4200	60	460
S21486T	F14T8/CW	15	24	14	T8	Med Bipin	7500	4200	60	645
S21488T	F14T8/D	15	24	14	T8	Med Bipin	7500	6500	76	560
S21610T	F15T8/D830	18	24	15	T8	Med Bipin	7500	3000	82	845
S21701T	F15T8/WW	18	24	15	T8	Med Bipin	7500	3000	52	735
S21609T	F15T8/D35	18	24	15	T8	Med Bipin	7500	3500	70	845
S21616T	F15T8/CW	18	24	15	T8	Med Bipin	7500	4200	60	720
S21600T	F15T8/D	18	24	15	T8	Med Bipin	7500	6500	76	655
S23014T	F18T8CW/K24	24	24	18	T8	Med Bipin	7500	4200	60	1035
<b>Sylvania - 18" 14 Watt OCTRON 700 SERIES</b>										
S21666T	FO13/735/ECO	18	30	14	T8	Med Bipin	30000	3500	75	765
<b>Sylvania - 24" 17 Watt OCTRON 800 SERIES XPS</b>										
S22150T	FO17/830/XPS/ECO	24	30	17	T8	Med Bipin	40000	3000	85	1315
S22151T	FO17/835/XPS/ECO	24	30	17	T8	Med Bipin	40000	3500	85	1315
S22152T	FO17/841/XPS/ECO	24	30	17	T8	Med Bipin	40000	4100	85	1315

CONTINUED...

COATING ONLY PRICING AVAILABLE FOR CUSTOMER SUPPLIED LAMPS UPON REQUEST.

Sylvania T8 UltraGuard FEP (continued)

PRODUCT CODE	ORDERING ABBREVIATION	LAMP LENGTH	PKG. QTY.	WATTS	TYPE	PIN	AVG RATED LIFE	CCT (K)	CRI	APPROX LUMENS
<b>Sylvania - 24" 17 Watt OCTRON 800 SERIES XP</b>										
S21785T	FO17/830/XP/ECO	24	30	17	T8	Med Bipin	40000	3000	85	1290
S21778T	FO17/835/XP/ECO	24	30	17	T8	Med Bipin	40000	3500	85	1290
S21907T	FO17/841/XP/ECO	24	30	17	T8	Med Bipin	40000	4100	85	1290
S22193T	FO17/850/XP/ECO	24	30	17	T8	Med Bipin	40000	5000	85	1290
S21718T	FO17/865/XP/ECO	24	30	17	T8	Med Bipin	40000	6500	85	1175
<b>Sylvania - 24" 17 Watt OCTRON 800 SERIES</b>										
S22135T	FO17/830/ECO	24	30	17	T8	Med Bipin	30000	3000	82	1270
S22136T	FO17/835/ECO	24	30	17	T8	Med Bipin	30000	3500	82	1270
S22137T	FO17/841/ECO	24	30	17	T8	Med Bipin	30000	4100	82	1270
<b>Sylvania - 24" 17 Watt OCTRON 700 SERIES</b>										
S21918T	FO17/730/ECO	24	30	17	T8	Med Bipin	30000	3000	75	1195
S21769T	FO17/735/ECO	24	30	17	T8	Med Bipin	30000	3500	75	1195
S21770T	FO17/741/ECO	24	30	17	T8	Med Bipin	30000	4100	75	1195
<b>Sylvania - 36" 25 Watt OCTRON 800 SERIES XPS</b>										
S22153T	FO25/830/XPS/ECO	36	30	25	T8	Med Bipin	40000	3000	85	2070
S22154T	FO25/835/XPS/ECO	36	30	25	T8	Med Bipin	40000	3500	85	2070
S22155T	FO25/841/XPS/ECO	36	30	25	T8	Med Bipin	40000	4100	85	2070
<b>Sylvania - 36" 25 Watt OCTRON 800 SERIES XP</b>										
S21910T	FO25/830/XP/ECO	36	30	25	T8	Med Bipin	40000	3000	85	2045
S21776T	FO25/835/XP/ECO	36	30	25	T8	Med Bipin	40000	3500	85	2045
S21774T	FO25/841/XP/ECO	36	30	25	T8	Med Bipin	40000	4100	85	2045
S22194T	FO25/850/XP/ECO	36	30	25	T8	Med Bipin	40000	5000	85	2045
S21719T	FO25/865/XP/ECO	36	30	25	T8	Med Bipin	40000	6500	85	2045
<b>Sylvania - 36" 25 Watt OCTRON 800 SERIES</b>										
S22138T	FO25/830/ECO	36	30	25	T8	Med Bipin	30000	3000	82	2020
S22139T	FO25/835/ECO	36	30	25	T8	Med Bipin	30000	3500	82	2020
S22140T	FO25/841/ECO	36	30	25	T8	Med Bipin	30000	4100	82	2020
<b>Sylvania - 36" 25 Watt OCTRON 700 SERIES</b>										
S21937T	FO25/730/ECO	36	30	25	T8	Med Bipin	30000	3000	75	1795
S21941T	FO25/735/ECO	36	30	25	T8	Med Bipin	30000	3500	75	1795
S21942T	FO25/741/ECO	36	30	25	T8	Med Bipin	30000	4100	75	1795
<b>SYLVANIA T8 ULTRAGUARD FEP 48" 25 WATTS</b>										
<b>Sylvania - 48" 25 Watt OCTRON 800 Series XP XL SS</b>										
S22349T	FO32/25W/830/XP/XL/SS/ECO3	48	30	25	T8	Med Bipin	80000	3000	85	2305
S22222T	FO32/25W/835/XP/XL/SS/ECO3	48	30	25	T8	Med Bipin	80000	3500	85	2305
S22223T	FO32/25W/841/XP/XL/SS/ECO3	48	30	25	T8	Med Bipin	80000	4100	85	2305
<b>Sylvania - 48" 25 Watt OCTRON 800 Series XP SS</b>										
S22232T	FO32/25W/830/XP/SS/ECO	48	30	25	T8	Med Bipin	40000	3000	85	2350
S22233T	FO32/25W/835/XP/SS/ECO	48	30	25	T8	Med Bipin	40000	3500	85	2350
S22234T	FO32/25W/841/XP/SS/ECO	48	30	25	T8	Med Bipin	40000	4100	85	2350
S22235T	FO32/25W/850/XP/SS/ECO	48	30	25	T8	Med Bipin	40000	5000	81	2350

CONTINUED...

COATING ONLY PRICING AVAILABLE FOR CUSTOMER SUPPLIED LAMPS UPON REQUEST.

Sylvania T8 UltraGuard FEP (continued)

PRODUCT CODE	ORDERING ABBREVIATION	LAMP LENGTH	PKG. QTY.	WATTS	TYPE	PIN	AVG RATED LIFE	CCT (K)	CRI	APPROX LUMENS
<b>Sylvania - 48" 25 Watt OCTRON 800 Series XV SS</b>										
S22449T	FO32/25W/835/XV/SS/ECO	48	30	25	T8	Med Bipin	40000	3500	83	2255
S22450T	FO32/25W/841/XV/SS/ECO	48	30	25	T8	Med Bipin	40000	4100	83	2255
S22451T	FO32/25W/850/XV/SS/ECO	48	30	25	T8	Med Bipin	40000	5000	81	2255
<b>SYLVANIA T8 ULTRAGUARD FEP 48" 28 WATTS</b>										
<b>Sylvania - 48" 28 Watt OCTRON 800 Series XP XL SS</b>										
S22166T	FO28/835/XP/XL/SS/ECO3	48	30	28	T8	Med Bipin	80000	3500	85	2495
S22167T	FO28/841/XP/XL/SS/ECO3	48	30	28	T8	Med Bipin	80000	4100	85	2495
S22326T	FO28/850/XP/XL/SS/ECO3	48	30	28	T8	Med Bipin	80000	5000	81	2495
<b>Sylvania - 48" 28 Watt OCTRON 800 Series XP SS</b>										
S22177T	FO28/830/XP/SS/ECO	48	30	28	T8	Med Bipin	40000	3000	85	2560
S22178T	FO28/835/XP/SS/ECO	48	30	28	T8	Med Bipin	40000	3500	85	2560
S22179T	FO28/841/XP/SS/ECO	48	30	28	T8	Med Bipin	40000	4100	85	2560
S22184T	FO28/850/XP/SS/ECO	48	30	28	T8	Med Bipin	40000	5000	81	2560
<b>Sylvania - 48" 28 Watt OCTRON 800 Series XV SS</b>										
S21429T	FO28/830/XV/SS/ECO	48	30	28	T8	Med Bipin	40000	3000	83	2445
S21420T	FO28/835/XV/SS/ECO	48	30	28	T8	Med Bipin	40000	3500	83	2445
S21421T	FO28/841/XV/SS/ECO	48	30	28	T8	Med Bipin	40000	4100	83	2445
S21422T	FO28/850/XV/SS/ECO	48	30	28	T8	Med Bipin	40000	5000	81	2445
<b>SYLVANIA T8 ULTRAGUARD FEP 48" 30 WATTS</b>										
<b>Sylvania - 48" 30 Watt OCTRON 800 Series XP SS</b>										
S22063T	FO30/830/XP/SS/ECO	48	30	30	T8	Med Bipin	40000	3000	85	2680
S22060T	FO30/835/XP/SS/ECO	48	30	30	T8	Med Bipin	40000	3500	85	2680
S22062T	FO30/841/XP/SS/ECO	48	30	30	T8	Med Bipin	40000	4100	85	2680
S22202T	FO30/850/XP/SS/ECO	48	30	30	T8	Med Bipin	40000	5000	81	2680
<b>Sylvania - 48" 30 Watt OCTRON 800 Series XV SS</b>										
S21428T	FO30/830/XV/SS/ECO	48	30	30	T8	Med Bipin	40000	3000	83	2585
S22446T	FO30/835/XV/SS/ECO	48	30	30	T8	Med Bipin	40000	3500	83	2585
S22447T	FO30/841/XV/SS/ECO	48	30	30	T8	Med Bipin	40000	4100	83	2585
S22448T	FO30/850/XV/SS/ECO	48	30	30	T8	Med Bipin	40000	5000	81	2585
<b>SYLVANIA T8 ULTRAGUARD FEP 48" 32 WATTS</b>										
<b>Sylvania - 48" 32 Watt OCTRON 800 Series XP XL</b>										
S21576T	FO32/835/XP/XL/ECO3	48	30	32	T8	Med Bipin	62000	3500	85	2830
S21577T	FO32/841/XP/XL/ECO3	48	30	32	T8	Med Bipin	62000	4100	85	2830
S22002T	FO32/850/XP/XL/ECO3	48	30	32	T8	Med Bipin	62000	5000	81	2830
S22065T	FO32/865/XP/XL/ECO3	48	30	32	T8	Med Bipin	52000	6500	85	2830
<b>Sylvania - 48" 32 Watt OCTRON 800 Series XPS</b>										
S21680T	FO32/830/XPS/ECO	48	30	32	T8	Med Bipin	40000	3000	85	2915
S21697T	FO32/835/XPS/ECO	48	30	32	T8	Med Bipin	40000	3500	85	2915
S21681T	FO32/841/XPS/ECO	48	30	32	T8	Med Bipin	40000	4100	85	2915
S21660T	FO32/850/XPS/ECO	48	30	32	T8	Med Bipin	40000	5000	81	2820
S21659T	FO32/865/XPS/ECO	48	30	32	T8	Med Bipin	40000	6500	81	2725
<b>Sylvania - 48" 32 Watt OCTRON 800 Series XP</b>										
S21759T	FO32/830/XP/ECO	48	30	32	T8	Med Bipin	40000	3000	85	2820
S21763T	FO32/835/XP/ECO	48	30	32	T8	Med Bipin	40000	3500	85	2820

CONTINUED...

COATING ONLY PRICING AVAILABLE FOR CUSTOMER SUPPLIED LAMPS UPON REQUEST.

Sylvania T8 UltraGuard FEP (continued)

PRODUCT CODE	ORDERING ABBREVIATION	LAMP LENGTH	PKG. QTY.	WATTS	TYPE	PIN	AVG RATED LIFE	CCT (K)	CRI	APPROX LUMENS
S21767T	FO32/841/XP/ECO	48	30	32	T8	Med Bipin	40000	4100	85	2820
S22026T	FO32/850/XP/ECO	48	30	32	T8	Med Bipin	40000	5000	85	2820
S21720T	FO32/865/XP/ECO	48	30	32	T8	Med Bipin	40000	6500	85	2680
<b>Sylvania - 48" 32 Watt OTRON 800 Series XV</b>										
S21427T	FO32/830/XV/ECO	48	30	32	T8	Med Bipin	40000	3000	83	2725
S22066T	FO32/835/XV/ECO	48	30	32	T8	Med Bipin	40000	3500	83	2725
S20067T	FO32/841/XV/ECO	48	30	32	T8	Med Bipin	40000	4100	83	2725
S20068T	FO32/850/XV/ECO	48	30	32	T8	Med Bipin	40000	5000	81	2725
<b>Sylvania - 48" 32 Watt OTRON 700 Series XP</b>										
S21711T	FO32/730/XP/ECO	48	30	32	T8	Med Bipin	40000	3000	78	2680
S22044T	FO32/735/XP/ECO	48	30	32	T8	Med Bipin	40000	3500	78	2680
S21712T	FO32/741/XP/ECO	48	30	32	T8	Med Bipin	40000	4100	78	2680
<b>Sylvania - 48" 32 Watt OTRON 800 Series</b>										
S21777T	FO32/830/ECO	48	30	32	T8	Med Bipin	30000	3000	85	2775
S21779T	FO32/835/ECO	48	30	32	T8	Med Bipin	30000	3500	85	2775
S21781T	FO32/841/ECO	48	30	32	T8	Med Bipin	30000	4100	85	2775
S22143T	FO32/850/ECO	48	30	32	T8	Med Bipin	30000	5000	81	2775
<b>Sylvania - 48" 32 Watt OTRON 700 Series</b>										
S21997T	FO32/730/ECO	48	30	32	T8	Med Bipin	30000	3000	78	2575
S21998T	FO32/735/ECO	48	30	32	T8	Med Bipin	30000	3500	78	2575
S21999T	FO32/741/ECO	48	30	32	T8	Med Bipin	30000	4100	78	2575
S22141T	FO32/750/ECO	48	30	32	T8	Med Bipin	30000	5000	78	2575
S22175T	FO32/765/ECO	48	30	32	T8	Med Bipin	30000	6500	78	2575
<b>SYLVANIA T8 ULTRAGUARD FEP 60" - 96"</b>										
<b>Sylvania - 60" 40 Watt OTRON 800 Series XP</b>										
S21912T	FO40/830/XP/ECO	60	30	40	T8	Med Bipin	40000	3000	85	3525
S21911T	FO40/835/XP/ECO	60	30	40	T8	Med Bipin	40000	3500	85	3525
S21916T	FO40/841/XP/ECO	60	30	40	T8	Med Bipin	40000	4100	85	3525
S21721T	FO40/865/XP/ECO	60	30	40	T8	Med Bipin	40000	6500	85	3430
<b>Sylvania - 60" 40 Watt OTRON 800 Series</b>										
S22144T	FO40/830/ECO	60	30	40	T8	Med Bipin	30000	3000	82	3430
S22145T	FO40/835/ECO	60	30	40	T8	Med Bipin	30000	3500	82	3430
S22146T	FO40/841/ECO	60	30	40	T8	Med Bipin	30000	4100	82	3430
<b>Sylvania - 60" 40 Watt OTRON 700 Series</b>										
S22102T	FO40/730/ECO	60	30	40	T8	Med Bipin	30000	3000	75	3220
S22103T	FO40/735/ECO	60	30	40	T8	Med Bipin	30000	3500	75	3220
S22104T	FO40/741/ECO	60	30	40	T8	Med Bipin	30000	4100	75	3220
<b>Sylvania - 96" 54 Watt OTRON 800 Series XP SS</b>										
S22100T	FO96/54W/835/XP/SS/ECO	96	24	54	T8	Single Pin	36000	3500	85	5360
S22101T	FO96/54W/841/XP/SS/ECO	96	24	54	T8	Single Pin	36000	4100	85	5360
S22347T	FO96/54W/850/XP/SS/ECO	96	24	54	T8	Single Pin	36000	5000	81	5360
<b>Sylvania - 96" 50 Watt OTRON 800 Series XP SS</b>										
S22420T	FO96/50W/835/XP/SS/ECO	96	24	50	T8	Single Pin	36000	3500	85	5075
S22421T	FO96/50W/841/XP/SS/ECO	96	24	50	T8	Single Pin	36000	4100	85	5075

CONTINUED...

**COATING ONLY PRICING AVAILABLE FOR CUSTOMER SUPPLIED LAMPS UPON REQUEST.**

## Sylvania T8 UltraGuard FEP (continued)

PRODUCT CODE	ORDERING ABBREVIATION	LAMP LENGTH	PKG. QTY.	WATTS	TYPE	PIN	AVG RATED LIFE	CCT (K)	CRI	APPROX LUMENS
<b>SYLVANIA T8 ULTRAGUARD FEP 60" - 96" (continued)</b>										
<b>Sylvania - 96" 59 Watt OCTRON 800 Series XP</b>										
S22036T	FO96/830/XP/ECO	96	24	59	T8	Single Pin	36000	3000	85	5730
S22034T	FO96/835/XP/ECO	96	24	59	T8	Single Pin	36000	3500	85	5730
S22032T	FO96/841/XP/ECO	96	24	59	T8	Single Pin	36000	4100	85	5730
S22174T	FO96/850/XP/ECO	96	24	59	T8	Single Pin	36000	5000	85	5730
<b>Sylvania - 96" 50 Watt OCTRON 800 Series XV SS</b>										
S21426T	FO96/50W/835/XV/SS/ECO	96	24	50	T8	Single Pin	36000	3500	83	4795
S21425T	FO96/50W/841/XV/SS/ECO	96	24	50	T8	Single Pin	36000	4100	83	4795
<b>Sylvania - 96" 54 Watt OCTRON 800 Series XV SS</b>										
S21423T	FO96/54W/835/XV/SS/ECO	96	24	54	T8	Single Pin	36000	3500	83	5075
S21424T	FO96/54W/841/XV/SS/ECO	96	24	54	T8	Single Pin	36000	4100	83	5075
<b>Sylvania - 96" 59 Watt OCTRON 800 Series</b>										
S22147T	FO96/830/ECO	96	24	59	T8	Single Pin	30000	3000	82	5430
S22148T	FO96/835/ECO	96	24	59	T8	Single Pin	30000	3500	82	5430
S22149T	FO96/841/ECO	96	24	59	T8	Single Pin	30000	4100	82	5430
S22173T	FO96/850/ECO	96	24	59	T8	Single Pin	30000	5000	81	5430
<b>Sylvania - 96" 59 Watt OCTRON 700 Series</b>										
S22030T	FO96/730/ECO	96	24	59	T8	Single Pin	22500	3000	75	5245
S21737T	FO96/735/ECO	96	24	59	T8	Single Pin	22500	3500	75	5245
S21736T	FO96/741/ECO	96	24	59	T8	Single Pin	22500	4100	75	5245
<b>SYLVANIA T8HO ULTRAGUARD FEP</b>										
<b>Sylvania - 96" 86 Watt OCTRON 700 Series HO</b>										
S22204T	FO96/735/HO/ECO	96	24	86	T8	RDC	27000	3500	78	7520
S22205T	FO96/741/HO/ECO	96	24	86	T8	RDC	27000	4100	78	7520
<b>Sylvania - 96" 86 Watt OCTRON 800 Series HO</b>										
S22206T	FO96/835/HO/ECO	96	24	86	T8	RDC	27000	3500	85	7710
S22207T	FO96/841/HO/ECO	96	24	86	T8	RDC	27000	4100	85	7710

## Sylvania Black Light UltraGuard FEP

PRODUCT CODE	ORDERING ABBREVIATION	LAMP LENGTH	PKG. QTY.	WATTS	TYPE	PIN	AVG RATED LIFE	CCT (K)	CRI	APPROX LUMENS
<b>SYLVANIA T8 BLACK LIGHT ULTRAGUARD FEP</b>										
S21625T	F15T8/BLB	18	6	15	T8	Med Bipin	7500	-	-	-
S21623T	F15T8/350/BL/ECO	18	24	15	T8	Med Bipin	7500	-	-	-
S21703T	F25T8/350/BL/ECO	18	24	25	T8	Med Bipin	7500	-	-	-
S23113T	F30T8/350/BL/ECO	36	24	30	T8	Med Bipin	7500	-	-	-
<b>SYLVANIA T12 BLACK LIGHT ULTRAGUARD FEP</b>										
S21445T	F15T12/350/BL/500PH	15	30	15	T12	Med Bipin	-	-	-	-
S21525T	F18T12/350/BL/700PH	18	30	18	T12	Med Bipin	-	-	-	-
S22113T	F20T12/350/BL/ECO	24	24	20	T12	Med Bipin	9000	-	-	-
S24922T	F40T12/350/BL/ECO	48	30	40	T12	Med Bipin	20000	-	-	-
S24026T	F40T12/BLB/RP	48	6	40	T12	Med Bipin	20000	-	-	-

COATING ONLY PRICING AVAILABLE FOR CUSTOMER SUPPLIED LAMPS UPON REQUEST.

## Philips T5 UltraGuard FEP

PRODUCT CODE	ORDERING ABBREVIATION	LAMP LENGTH	PKG. QTY.	WATTS	TYPE	PIN	AVG RATED LIFE	CCT (K)	CRI	APPROX LUMENS
<b>PHILIPS T5 ULTRAGUARD FEP</b>										
<b>24" 14 Watt High Efficiency Alto</b>										
P230771T	F14T5/830/ALTO	24	40	14	T5	Med Bipin	35000	3000	85	1275
P230797T	F14T5/835/ALTO	24	40	14	T5	Med Bipin	35000	3500	85	1275
P230805T	F14T5/841/ALTO	24	40	14	T5	Med Bipin	35000	4100	85	1275
<b>36" 21 Watt High Efficiency Alto</b>										
P230813T	F21T5/830/ALTO	36	40	21	T5	Med Bipin	35000	3000	85	2000
P230821T	F21T5/835/ALTO	36	40	21	T5	Med Bipin	35000	3500	85	2000
P230839T	F21T5/841/ALTO	36	40	21	T5	Med Bipin	35000	4100	85	2000
<b>48" 28 Watt High Efficiency Alto</b>										
P230847T	F28T5/830/ALTO	48	40	28	T5	Med Bipin	35000	3000	85	2750
P230854T	F28T5/835/ALTO	48	40	28	T5	Med Bipin	35000	3500	85	2750
P230862T	F28T5/841/ALTO	48	40	28	T5	Med Bipin	35000	4100	85	2750
<b>60" 35 Watt High Efficiency Alto</b>										
P230888T	F35T5/830/ALTO	60	40	35	T5	Med Bipin	35000	3000	85	3450
P230953T	F35T5/841/ALTO	60	40	35	T5	Med Bipin	35000	4100	85	3450
<b>PHILIPS T5HO ULTRAGUARD FEP</b>										
<b>24" 24 Watt HO Alto</b>										
P290197T	F24T5/830/HO/ALTO	24	40	24	T5	Med Bipin	35000	3000	85	1850
P290205T	F24T5/835/HO/ALTO	24	40	24	T5	Med Bipin	35000	3500	85	1850
P290213T	F24T5/841/HO/ALTO	24	40	24	T5	Med Bipin	35000	4100	85	1850
P412775T	F24T5/850/HO/ALTO	24	40	24	T5	Med Bipin	35000	5000	82	1775
<b>48" 49 Watt ENERGY ADVANTAGE HO Alto</b>										
P220491T	F54T5/830/HO/EA/ALTO 49W	48	40	49	T5	Med Bipin	40000	3000	85	4750
P220509T	F54T5/835/HO/EA/ALTO 49W	48	40	49	T5	Med Bipin	40000	3500	85	4750
P220525T	F54T5/841/HO/EA/ALTO 49W	48	40	49	T5	Med Bipin	40000	4100	85	4600
P406496T	F54T5/850/HO/EA/ALTO 49W	48	40	49	T5	Med Bipin	40000	5000	82	4625
<b>48" 49 Watt EXTREME TEMPERATURE HO Alto</b>										
P407296T	F54T5/835/HO/A/EA/ALTO 49W	48	40	49	T5	Med Bipin	40000	3500	85	4750
P407304T	F54T5/841/HO/A/EA/ALTO 49W	48	40	49	T5	Med Bipin	40000	4100	85	4750
P407528T	F54T5/850/HO/A/EA/ALTO 49W	48	40	49	T5	Med Bipin	40000	5000	82	4600
<b>48" 54 Watt HO Alto</b>										
P290262T	F54T5/830/HO/ALTO	48	40	54	T5	Med Bipin	35000	3000	85	4750
P290288T	F54T5/835/HO/ALTO	48	40	54	T5	Med Bipin	35000	3500	85	4750
P290833T	F54T5/841/HO/ALTO	48	40	54	T5	Med Bipin	35000	4100	85	4750
P135103T	F54T5/850/HO/ALTO	48	40	54	T5	Med Bipin	35000	5000	82	4600
P147454T	F54T5/865/HO/ALTO	48	40	54	T5	Med Bipin	35000	6500	82	4415

CONTINUED...

COATING ONLY PRICING AVAILABLE FOR CUSTOMER SUPPLIED LAMPS UPON REQUEST.

## Philips T8 UltraGuard FEP

PRODUCT CODE	ORDERING ABBREVIATION	LAMP LENGTH	PKG. QTY.	WATTS	TYPE	PIN	AVG RATED LIFE	CCT (K)	CRI	APPROX LUMENS
<b>PHILIPS T8 ULTRAGUARD FEP 18" - 36"</b>										
<b>18" PREHEAT LAMPS STANDARD (Starter Req)</b>										
P407205T	F15T8D	18	25	15	T8	Med Bipin	7500	6500	73	660
P407197T	F15T8/CW	18	25	15	T8	Med Bipin	7500	4100	59	765
P281477T	F30T8/CW/ALTO	36	25	30	T8	Med Bipin	7500	4100	59	2000
<b>24" 17 Watt 800 Series Long Life ALTO II</b>										
P280933T	F17T8/TL830/PLUS/ALTO	24	30	17	T8	Med Bipin	36000	3000	85	1330
P280941T	F17T8/TL835/PLUS/ALTO	24	30	17	T8	Med Bipin	36000	3500	85	1330
P280958T	F17T8/TL841/PLUS/ALTO	24	30	17	T8	Med Bipin	36000	4100	85	1330
P280966T	F17T8/TL850/PLUS/ALTO	24	30	17	T8	Med Bipin	36000	5000	82	1260
P281931T	F17T8/TL865/PLUS/ALTO	24	30	17	T8	Med Bipin	36000	6500	82	1210
<b>24" 17 Watt 800 Series ALTO II</b>										
P281881T	F17T8/TL835/ALTO	24	30	17	T8	Med Bipin	30000	3500	84	1280
P281899T	F17T8/TL841/ALTO	24	30	17	T8	Med Bipin	30000	4100	82	1280
P280909T	F17T8/TL850/ALTO	24	30	17	T8	Med Bipin	30000	5000	82	1235
<b>36" 25 Watt 800 Series ADVANTAGE HIGH LUMEN ALTO II</b>										
P281402T	F25T8/ADV835/ALTO	36	30	25	T8	Med Bipin	30000	3500	84	2300
P281428T	F25T8/ADV841/ALTO	36	30	25	T8	Med Bipin	30000	4100	82	2300
<b>36" 25 Watt 800 Series Long Life ALTO II</b>										
P280974T	F25T8/TL830/PLUS/ALTO	36	30	25	T8	Med Bipin	36000	3000	85	2115
P280982T	F25T8/TL835/PLUS/ALTO	36	30	25	T8	Med Bipin	36000	3500	85	2115
P280990T	F25T8/TL841/PLUS/ALTO	36	30	25	T8	Med Bipin	36000	4100	85	2115
<b>36" 25 Watt 800 Series ALTO II</b>										
P281907T	F25T8/TL835/ALTO	36	30	25	T8	Med Bipin	30000	3500	85	2040
P281915T	F25T8/TL841/ALTO	36	30	25	T8	Med Bipin	30000	4100	84	2040
P280925T	F25T8/TL850/ALTO	36	30	25	T8	Med Bipin	30000	5000	82	2040
<b>PHILIPS T8 ULTRAGUARD FEP 48" 25 WATTS</b>										
<b>48" 25 Watt 800 Series EXTRA LONG LIFE ALTO II</b>										
P281212T	F32T8/ADV830/XLL/ALTO 25 Watt	48	30	25	T8	Med Bipin	46000	3000	85	2330
P281220T	F32T8/ADV835/XLL/ALTO 25 Watt	48	30	25	T8	Med Bipin	46000	3500	84	2330
P281238T	F32T8/ADV841/XLL/ALTO 25 Watt	48	30	25	T8	Med Bipin	46000	4100	82	2330
P281253T	F32T8/ADV850/XLL/ALTO 25 Watt	48	30	25	T8	Med Bipin	46000	5000	82	2280
<b>48" 25 Watt 800 Series ENERGY ADVANTAGE ALTO II</b>										
P282046T	F32T8/ADV830/XEW/ALTO 25 Watt	48	30	25	T8	Med Bipin	38000	3000	85	2500
P282095T	F32T8/ADV835/XEW/ALTO 25 Watt	48	30	25	T8	Med Bipin	38000	3500	84	2500
P280784T	F32T8/ADV841/XEW/ALTO 25 Watt	48	30	25	T8	Med Bipin	38000	4100	82	2500
P280792T	F32T8/ADV850/XEW/ALTO 25 Watt	48	30	25	T8	Med Bipin	38000	5000	82	2400
<b>PHILIPS T8 ULTRAGUARD FEP 48" 28 WATTS</b>										
<b>48" 28 Watt 800 Series EXTRA LONG LIFE ALTO II</b>										
P281469T	F32T8/ADV830/XLL/ALTO 28 Watt	48	30	28	T8	Med Bipin	46000	3000	85	2595
P281485T	F32T8/ADV835/XLL/ALTO 28 Watt	48	30	28	T8	Med Bipin	46000	3500	84	2595
P281279T	F32T8/ADV841/XLL/ALTO 28 Watt	48	30	28	T8	Med Bipin	46000	4100	82	2595
P281287T	F32T8/ADV850/XLL/ALTO 28 Watt	48	30	28	T8	Med Bipin	46000	5000	82	2545

CONTINUED...

COATING ONLY PRICING AVAILABLE FOR CUSTOMER SUPPLIED LAMPS UPON REQUEST.

Philips T8 UltraGuard FEP (continued)

PRODUCT CODE	ORDERING ABBREVIATION	LAMP LENGTH	PKG. QTY.	WATTS	TYPE	PIN	AVG RATED LIFE	CCT (K)	CRI	APPROX LUMENS
<b>48" 28 WATT 800 SERIES ENERGY ADVANTAGE ALTO II</b>										
P281014T	F32T8/ADV830/EW/ALTO 28 Watt	48	30	28	T8	Med Bipin	38000	3000	85	2725
P281022T	F32T8/ADV835/EW/ALTO 28 Watt	48	30	28	T8	Med Bipin	38000	3500	84	2725
P281030T	F32T8/ADV841/EW/ALTO 28 Watt	48	30	28	T8	Med Bipin	38000	4100	82	2725
P281055T	F32T8/ADV850/EW/ALTO 28 Watt	48	30	28	T8	Med Bipin	38000	5000	82	2675
<b>PHILIPS T8 ULTRAGUARD FEP 48" 32 WATTS</b>										
<b>48" 32 Watt 800 Series EXTRA LONG LIFE ALTO II</b>										
P281154T	F32T8/TL835/XLL/ALTO	48	30	32	T8	Med Bipin	46000	3500	84	2800
P281162T	F32T8/TL841/XLL/ALTO	48	30	32	T8	Med Bipin	46000	4100	82	2800
P281204T	F32T8/TL850/XLL/ALTO	48	30	32	T8	Med Bipin	46000	5000	82	2700
<b>48" 32 Watt 800 Series ADVANTAGE HIGH LUMEN ALTO II</b>										
P280800T	F32T8/ADV830/ALTO	48	30	32	T8	Med Bipin	30000	3000	85	3000
P280818T	F32T8/ADV835/ALTO	48	30	32	T8	Med Bipin	30000	3500	84	3000
P280859T	F32T8/ADV841/ALTO	48	30	32	T8	Med Bipin	30000	4100	82	3000
P280891T	F32T8/ADV850/ALTO	48	30	32	T8	Med Bipin	30000	5000	82	2910
<b>48" 32 Watt 800 Series LONG LIFE PLUS ALTO II</b>										
P281659T	F32T8/TL830/PLUS/ALTO	48	30	32	T8	Med Bipin	36000	3000	85	2800
P281675T	F32T8/TL835/PLUS/ALTO	48	30	32	T8	Med Bipin	36000	3500	85	2800
P281790T	F32T8/TL841/PLUS/ALTO	48	30	32	T8	Med Bipin	36000	4100	85	2800
P281816T	F32T8/TL850/PLUS/ALTO	48	30	32	T8	Med Bipin	36000	5000	82	2710
<b>48" 32 Watt 700 Series ALTO II</b>										
P281824T	F32T8/TL730/PLUS/ALTO	48	30	32	T8	Med Bipin	36000	3000	78	2660
P281832T	F32T8/TL735/PLUS/ALTO	48	30	32	T8	Med Bipin	36000	3500	78	2660
P281840T	F32T8/TL741/PLUS/ALTO	48	30	32	T8	Med Bipin	36000	4100	78	2660
P281857T	F32T8/TL750/PLUS/ALTO	48	30	32	T8	Med Bipin	36000	5000	78	2550
P423061T	F32T8/TL765/PLUS/ALTO	48	30	32	T8	Med Bipin	36000	6500	78	2610
<b>48" 32 Watt 800 Series ALTO II</b>										
P281519T	F32T8/TL830/ALTO	48	30	32	T8	Med Bipin	30000	3000	85	2710
P281535T	F32T8/TL835/ALTO	48	30	32	T8	Med Bipin	30000	3500	84	2710
P281550T	F32T8/TL841/ALTO	48	30	32	T8	Med Bipin	30000	4100	82	2710
P281568T	F32T8/TL850/ALTO	48	30	32	T8	Med Bipin	30000	5000	82	2710
<b>48" 32 Watt 700 Series ALTO II</b>										
P281626T	F32T8/TL730/ALTO	48	30	32	T8	Med Bipin	30000	3000	78	2565
P281618T	F32T8/TL735/ALTO	48	30	32	T8	Med Bipin	30000	3500	78	2565
P281576T	F32T8/TL741/ALTO	48	30	32	T8	Med Bipin	30000	4100	78	2565
P281634T	F32T8/TL750/ALTO	48	30	32	T8	Med Bipin	30000	5000	78	2470
<b>PHILIPS T8 ULTRAGUARD FEP 60" - 96"</b>										
<b>60" 40 Watt 800 Series ALTO II</b>										
P368340T	F40T8/TL835/ALTO	60	25	40	T8	Med Bipin	30000	3500	84	3500
P368472T	F40T8/TL841/ALTO	60	25	40	T8	Med Bipin	30000	4100	82	3500
<b>96" 51 Watt 800 Series ENERGY ADVANTAGE ALTO II</b>										
P163212T	F96T8/ADV835/XEW/ALTO 51W	96	25	51	T8	Single Pin	30000	3500	85	4940
P163311T	F96T8/ADV841/XEW/ALTO 51W	96	25	51	T8	Single Pin	30000	4100	85	4940
P164574T	F96T8/ADV850/XEW/ALTO 51W	96	25	51	T8	Single Pin	30000	5000	82	4840

CONTINUED...

**COATING ONLY PRICING AVAILABLE FOR CUSTOMER SUPPLIED LAMPS UPON REQUEST.**

## Philips T8 UltraGuard FEP (continued)

PRODUCT CODE	ORDERING ABBREVIATION	LAMP LENGTH	PKG. QTY.	WATTS	TYPE	PIN	AVG RATED LIFE	CCT (K)	CRI	APPROX LUMENS
<b>96" 59 Watt 800 Series Plus Slimline ALTO</b>										
P236844T	F96T8/TL835/PLUS/ALTO	96	25	59	T8	Single Pin	30000	3500	85	5490
P236851T	F96T8/TL841/PLUS/ALTO	96	25	59	T8	Single Pin	30000	4100	85	5490
P236869T	F96T8/TL850/PLUS/ALTO	96	25	59	T8	Single Pin	30000	5000	82	5375
<b>96" 59 Watt 700 Series Plus Slimline ALTO</b>										
P236810T	F96T8/TL735/PLUS/ALTO	96	25	59	T8	Single Pin	30000	3500	78	5190
P236828T	F96T8/TL741/PLUS/ALTO	96	25	59	T8	Single Pin	30000	4100	78	5190
<b>PHILIPS T8HO ULTRAGUARD FEP</b>										
<b>48" 44 Watt 800 Series Plus HO ALTO</b>										
P236794T	F48T8/TL841/HO/ALTO	48	25	44	T8	RDC	18000	4100	85	3600
<b>72" 65 Watt 800 Series Plus HO ALTO</b>										
P236802T	F72T8/TL841/HO/ALTO	72	25	65	T8	RDC	18001	4100	86	5490
<b>96" 86 Watt 800 Series Plus HO ALTO</b>										
P236877T	F96T8/TL835/HO/PLUS/ALTO	96	25	86	T8	RDC	30000	3500	85	7625
P236885T	F96T8/TL841/HO/PLUS/ALTO	96	25	86	T8	RDC	30000	4100	85	7625
P236893T	F96T8/TL850/HO/PLUS/ALTO	96	25	86	T8	RDC	30000	5000	82	7550

## Philips T8 Black Light UltraGuard FEP

PRODUCT CODE	ORDERING ABBREVIATION	LAMP LENGTH	PKG. QTY.	WATTS	TYPE	PIN	AVG RATED LIFE	CCT (K)	CRI	APPROX LUMENS
<b>PHILIPS T8 BLACK LIGHT ULTRAGUARD FEP</b>										
P130369T	F15T8/BL ACTINIC	18	25	15	T8	Med BiPin	7500	-	-	-

## GE T5 UltraGuard FEP

PRODUCT CODE	ORDERING ABBREVIATION	LAMP LENGTH	PKG. QTY.	WATTS	TYPE	PIN	AVG RATED LIFE	CCT (K)	CRI	APPROX LUMENS
<b>GE T5 ULTRAGUARD FEP</b>										
<b>GE - PREHEAT-Minature (Starter Req)</b>										
G10059T	F8T5/CW	12	24	8	T5	Mini BiPin	5000	4100	60	320
G10055T	F8T5/D	12	24	8	T5	Mini BiPin	5000	6500	75	265
G10064T	F8T5/WW	12	24	8	T5	Mini BiPin	5000	3000	52	330
G10086T	F13T5/CW	21	24	13	T5	Mini BiPin	5000	4100	60	705
G10089T	F13T5/WW	21	24	13	T5	Mini BiPin	5000	3000	52	720
<b>GE - 24" 14 Watt High Efficiency Alto</b>										
G31590T	F14W/T5/830/ECO	24	40	14	T5	Mini BiPin	36000	3000	85	1240
G46671T	F14W/T5/835/ECO	24	40	14	T5	Mini BiPin	36000	3500	85	1240
G46673T	F14W/T5/841/ECO	24	40	14	T5	Mini BiPin	36000	4100	85	1240
G46674T	F14W/T5/850/ECO	24	40	14	T5	Mini BiPin	36000	5000	85	1190
G46676T	F14W/T5/865/ECO	24	40	14	T5	Mini BiPin	36000	6500	85	1150
<b>GE - 36" 21 Watt High Efficiency</b>										
G46677T	F21W/T5/830/ECO	36	40	21	T5	Mini BiPin	36000	3000	85	1930
G46684T	F21W/T5/835/ECO	36	40	21	T5	Mini BiPin	36000	3500	85	1930
G46687T	F21W/T5/841/ECO	36	40	21	T5	Mini BiPin	36000	4100	85	1930
G46688T	F21W/T5/850/ECO	36	40	21	T5	Mini BiPin	36000	5000	85	1840
G46689T	F21W/T5/865/ECO	36	40	21	T5	Mini BiPin	36000	6500	85	1790

**COATING ONLY PRICING AVAILABLE FOR CUSTOMER SUPPLIED LAMPS UPON REQUEST.**

**GE T5 UltraGuard FEP (continued)**

PRODUCT CODE	ORDERING ABBREVIATION	LAMP LENGTH	PKG. QTY.	WATTS	TYPE	PIN	AVG RATED LIFE	CCT (K)	CRI	APPROX LUMENS
<b>GE - 48" 28 Watt High Efficiency</b>										
G46704T	F28W/T5/830/ECO	48	40	28	T5	Mini BiPin	36000	3000	85	2660
G46705T	F28W/T5/835/ECO	48	40	28	T5	Mini BiPin	36000	3500	85	2660
G46706T	F28W/T5/841/ECO	48	40	28	T5	Mini BiPin	36000	4100	85	2660
G46707T	F28W/T5/850/ECO	48	40	28	T5	Mini BiPin	36000	5000	85	2530
G46708T	F28W/T5/865/ECO	48	40	28	T5	Mini BiPin	36000	6500	85	2480
<b>GE - 48" 28 Watt High Efficiency High Lumen</b>										
G71652T	F28WT5/830/HL/ECO	48	40	28	T5	Mini BiPin	24000	3000	85	2810
G71653T	F28WT5/835/HL/ECO	48	40	28	T5	Mini BiPin	24000	3500	85	2810
G71654T	F28WT5/841/HL/ECO	48	40	28	T5	Mini BiPin	24000	4100	85	2810
G71655T	F28WT5/850/HL/ECO	48	40	28	T5	Mini BiPin	24000	5000	85	2670
G71656T	F28WT5/865/HL/ECO	48	40	28	T5	Mini BiPin	24000	6500	85	2620
<b>GE - 60" 35 Watt High Efficiency</b>										
G46724T	F35W/T5/830/ECO	60	40	35	T5	Mini BiPin	36000	3000	85	3350
G46727T	F35W/T5/835/ECO	60	40	35	T5	Mini BiPin	36000	3500	85	3350
G46735T	F35W/T5/841/ECO	60	40	35	T5	Mini BiPin	36000	4100	85	3350
G46742T	F35W/T5/850/ECO	60	40	35	T5	Mini BiPin	36000	5000	85	3220
G46743T	F35W/T5/865/ECO	60	40	35	T5	Mini BiPin	36000	6500	85	3120
<b>GE T5HO ULTRAGUARD FEP</b>										
<b>GE - 24" 24 Watt Starcoat Ecolux HO</b>										
G46699T	F24W/T5/830/ECO	24	40	24	T5	Mini BiPin	36000	3000	85	1840
G46700T	F24W/T5/835/ECO	24	40	24	T5	Mini BiPin	36000	3500	85	1840
G46701T	F24W/T5/841/ECO	24	40	24	T5	Mini BiPin	36000	4100	85	1840
<b>GE - 36" 39 Watt Starcoat Ecolux HO</b>										
G46744T	F39W/T5/830/ECO	36	40	39	T5	Mini BiPin	36000	3000	85	3220
G46745T	F39W/T5/835/ECO	36	40	39	T5	Mini BiPin	36000	3500	85	3220
G46746T	F39W/T5/841/ECO	36	40	39	T5	Mini BiPin	36000	4100	85	3220
<b>GE - 48" 51 Watt Watt-Miser HO</b>										
G71627T	F54T5/830/WM/ECO	48	40	51	T5	Mini BiPin	36000	3000	85	4600
G71628T	F54T5/835/WM/ECO	48	40	51	T5	Mini BiPin	36000	3500	85	4600
G71629T	F54T5/841/WM/ECO	48	40	51	T5	Mini BiPin	36000	4100	85	4600
G71630T	F54T5/850/WM/ECO	48	40	51	T5	Mini BiPin	36000	5000	85	4410
G71631T	F54T5/865/WM/ECO	48	40	51	T5	Mini BiPin	36000	6500	85	4370
<b>GE - 48" 54 Watt Starcoat Ecolux HO</b>										
G46759T	F54W/T5/830/ECO	48	40	54	T5	Mini BiPin	36000	3000	85	4600
G46760T	F54W/T5/835/ECO	48	40	54	T5	Mini BiPin	36000	3500	85	4600
G46761T	F54W/T5/841/ECO	48	40	54	T5	Mini BiPin	36000	4100	85	4600
G46762T	F54W/T5/850/ECO	48	40	54	T5	Mini BiPin	36000	5000	85	4410
G46763T	F54W/T5/865/ECO	48	40	54	T5	Mini BiPin	36000	6500	85	4370

CONTINUED...

COATING ONLY PRICING AVAILABLE FOR CUSTOMER SUPPLIED LAMPS UPON REQUEST.

## GE T8 UltraGuard FEP

PRODUCT CODE	ORDERING ABBREVIATION	LAMP LENGTH	PKG. QTY.	WATTS	TYPE	PIN	AVG RATED LIFE	CCT (K)	CRI	APPROX LUMENS
<b>GE T8 ULTRAGUARD FEP 12" - 36"</b>										
<b>GE - PREHEAT LAMPS STANDARD (Starter Req)</b>										
G10098T	F13T8/CW	12	24	13	T8	Med BiPin	7500	4100	60	480
G10104T	F14T8/CW	15	24	14	T8	Med BiPin	7500	4100	60	580
G19644T	F15T8/SPX30	18	24	15	T8	Med BiPin	7500	3000	82	900
G19645T	F15T8/SPX35	18	24	15	T8	Med BiPin	7500	3500	82	900
G10142T	F15T8/CW	18	24	15	T8	Med BiPin	7500	4100	60	725
G10134T	F15T8/D	18	24	15	T8	Med BiPin	7500	6500	75	615
G10147T	F15T8/WW	18	24	15	T8	Med BiPin	7500	3000	52	745
<b>GE - 24" 17 Watt Starcoat Ecolux SPX SERIES</b>										
G45742T	F17T8/SPX30/ECO	24	24	17	T8	Med BiPin	36000	3000	85	1280
G45747T	F17T8/SPX35/ECO	24	24	17	T8	Med BiPin	36000	3500	85	1280
G45749T	F17T8/SPX41/ECO	24	24	17	T8	Med BiPin	36000	4100	85	1280
<b>GE - 36" 25 Watt Starcoat Ecolux SPX SERIES</b>										
G45753T	F25T8/SPX30/ECO	36	24	25	T8	Med BiPin	36000	3000	85	2040
G45755T	F25T8/SPX35/ECO	36	24	25	T8	Med BiPin	36000	3500	85	2040
G45757T	F25T8/SPX41/ECO	36	24	25	T8	Med BiPin	36000	4100	85	2040
<b>GE T8 ULTRAGUARD FEP 48" 28 WATTS</b>										
<b>GE - 48" 28 Watt Ultra Max SPX SERIES</b>										
G72863T	F28T8/XL/SPX30/ECO	48	36	28	T8	Med BiPin	50000	3000	85	2515
G72864T	F28T8/XL/SPX35/ECO	48	36	28	T8	Med BiPin	50000	3500	85	2515
G72866T	F28T8/XL/SPX41/ECO	48	36	28	T8	Med BiPin	50000	4100	82	2515
G72867T	F28T8/XL/SPX50/ECO	48	36	28	T8	Med BiPin	50000	5000	80	2515
G66346T	F28T8/XL/SPX65/ECO	48	36	28	T8	Med BiPin	50000	6500	80	2440
<b>GE T8 ULTRAGUARD FEP 48" 32 WATTS</b>										
<b>GE - 48" 32 Watt Starcoat Ecolux SP SERIES</b>										
G26667T	F32T8/SP35/ECO	48	36	32	T8	Med BiPin	36000	3500	78	2300
G26668T	F32T8/SP41/ECO	48	36	32	T8	Med BiPin	36000	4100	78	2300
<b>GE - 48" 32 Watt Starcoat Ecolux SPX SERIES</b>										
G68850T	F32T8/SPX30/ECO2	48	36	32	T8	Med BiPin	36000	3000	85	2770
G68851T	F32T8/SPX35/ECO2	48	36	32	T8	Med BiPin	36000	3500	85	2770
G68852T	F32T8/SPX41/ECO2	48	36	32	T8	Med BiPin	36000	4100	85	2770
G68853T	F32T8/SPX50/ECO2	48	36	32	T8	Med BiPin	36000	5000	82	2755
G66342T	F32T8/SPX65/ECO2	48	36	32	T8	Med BiPin	36000	6500	78	2755
<b>GE - 48" 32 Watt Extra Life SPX SERIES</b>										
G68854T	F32T8/XL/SPX30/ECO2	48	36	32	T8	Med BiPin	45000	3000	85	2770
G68855T	F32T8/XL/SPX35/ECO2	48	36	32	T8	Med BiPin	45000	3500	85	2770
G68856T	F32T8/XL/SPX41/ECO2	48	36	32	T8	Med BiPin	45000	4100	85	2770
G68857T	F32T8/XL/SPX50/ECO2	48	36	32	T8	Med BiPin	45000	5000	82	2700
G68858T	F32T8/XL/SPX65/ECO2	48	36	32	T8	Med BiPin	45000	6500	78	2610

CONTINUED...

**COATING ONLY PRICING AVAILABLE FOR CUSTOMER SUPPLIED LAMPS UPON REQUEST.**

## GE T8 UltraGuard FEP (continued)

PRODUCT CODE	ORDERING ABBREVIATION	LAMP LENGTH	PKG. QTY.	WATTS	TYPE	PIN	AVG RATED LIFE	CCT (K)	CRI	APPROX LUMENS
<b>GE T8 ULTRAGUARD FEP 60" - 96"</b>										
<b>GE - 60" 40 Watt Starcoat SPX SERIES</b>										
G22660T	F40T8/SPX30	60	24	40	T8	Med BiPin	20000	3000	84	3350
G22661T	F40T8/SPX35	60	24	40	T8	Med BiPin	20000	3500	84	3350
G22662T	F40T8/SPX41	60	24	40	T8	Med BiPin	20000	4100	84	3350
<b>GE - 96" 59 Watt Extra-Life SPX Series</b>										
G68868T	F96T8/XL/SPX30/2	96	24	59	T8	Med BiPin	30000	3000	85	5650
G68869T	F96T8/XL/SPX35/2	96	24	59	T8	Med BiPin	30000	3500	85	5650
G68870T	F96T8/XL/SPX41/2	96	24	59	T8	Med BiPin	30000	4100	85	5650
G68871T	F96T8/XL/SPX50/2	96	24	59	T8	Med BiPin	30000	5000	82	5650
<b>GE T8HO ULTRAGUARD FEP</b>										
<b>GE - 96" 86 Watt Starcoat HO SPX Series</b>										
G12533T	F96T8/SPX35/HO	96	24	86	T8	Med BiPin	18000	3500	85	7800
G12534T	F96T8/SPX41/HO	96	24	86	T8	Med BiPin	18000	4100	85	7800
G12535T	F96T8/SPX50/HO	96	24	86	T8	Med BiPin	18000	5000	82	7800

## GE Black Light UltraGuard FEP Coated

PRODUCT CODE	ORDERING ABBREVIATION	LAMP LENGTH	PKG. QTY.	WATTS	TYPE	PIN	AVG RATED LIFE	CCT (K)	CRI	APPROX LUMENS
<b>GE T8 BLACK LIGHT ULTRAGUARD FEP</b>										
G35884T	F15T8/BL 6PK	18	24	15	T8	Med BiPin	7500	-	-	-
G35885T	F15T8/BLB 6PK	18	24	15	T8	Med BiPin	7500	-	-	-
<b>GE T12 BLACK LIGHT ULTRAGUARD FEP</b>										
G10244T	F20T12/BL 6PK	24	24	20	T12	Med BiPin	9000	-	-	-
G34747T	F20T12/BLB 6PK	24	24	20	T12	Med BiPin	9000	-	-	-
G10526T	F40BL 6PK	48	24	40	T12	Med BiPin	20000	-	-	-
G10531T	F40BLB 6PK	48	24	40	T12	Med BiPin	20000	-	-	-

# ProGuard PC Standard Temperature Safety Coated Fluorescent Lamps

Improved Safety for the Food and Pharmaceutical Industries



EncapSulite® International's shatterproof safety coatings are the leader in the lighting industry. The only safety coating UL Recognized for Safety and UL-EPH certified for environmental and public health. ProGuard safety coated fluorescent lamps are acceptable for incidental food contact in federally inspected food, meat and poultry plants.

## ENCAPSULITE PROGUARD PC FLUORESCENT SAFETY COATING

All EncapSulite safety coated lamps satisfy the criteria of having a non-shattering covering for prevention of glass in your product by containment within the safety coating material. The safety lamp must be intact, or the safety lamp must be replaced to be in compliance. The on-site inspector will require correction if the safety lamps are installed improperly, or not maintained properly.

### FEATURES

Ambient temperatures below 135° F.  
Chemical sensitivity  
Acceptable cleaning agents - mild soap and warm water  
No ammonia, solvents, or petroleum distillates  
Blocks all UV emissions from 100 to 380 nanometers

### APPLICATIONS

Hospitals  
Schools  
Kitchens  
Cafeterias  
Deli Cases  
Warehouse  
Pharmaceutical Operations  
Food Processing Plants  
Poultry  
Animal Brooding Areas

**For use in open fixture applications only. Not for use in vapor tight waterproof or IP65 troffers.**

## WARRANTY FLUORESCENT SAFETY COATED LAMPS

EncapSulite's ProGuard PC fluorescent safety coating is guaranteed for one year from the date of sale. EncapSulite will refund the prorated purchase price adjusted to the invoice subject to the following conditions. **ProGuard PC fluorescent safety coated lamps must be used in open fixtures only. Not for use in enclosed fixtures, vapor tight, waterproof or IP65 troffers.**

- The lamps must be used in ambient temperatures below 135° F.
  - The ProGuard safety coating is not for use with T5HO lamps.
  - The ProGuard safety coating is not recommended for use with T8 lamps with a rated life in excess of 24,000 hours due to one year warranty limitation. See UltraGuard Coating Warranty.
  - ProGuard coated lamps must not be used with defective ballasts or fixtures with defective wiring.
  - ProGuard safety coated lamps must be used with low or normal power factor ballasts.
  - ProGuard safety coated lamps must not be used high power factor ballasts.
  - ProGuard lamps must be used with lampholders that provide adequate contact.
  - ProGuard lamps must be used with the proper type of ballast to match the lamp type (rapid-start or instant-start with end-of-life shutdown circuitry).
  - ProGuard lamps can be used with motion-sensor systems with time interval of 20 minutes or more.
  - EncapSulite International reserves the right to inspect the site where a lamp safety coating failed.
  - This warranty does not apply if the merchandise has been damaged by accident, misuse, application beyond that stated.
- No other warranty is expressed or implied. EncapSulite International is not liable for consequential damage or costs.

## SYLVANIA, PHILIPS & GE LIGHTING SERIES

EncapSulite can provide quality, cost-effective, eco-efficient lighting products that can deliver immediate cost savings, reduced maintenance costs, and enhanced worker performance and productivity.

### COATING ONLY SERVICE FOR CUSTOMER SUPPLIED LAMPS

EncapSulite offers a low cost service for the volume safety coated lamp user. Ship your lamps to the EncapSulite plant and we will safety coat the lamps with our ProGuard PC safety coating and return to the destination of your choice. Economical, Efficient, Quick.

Acceptable cleaning agents for safety coated fluorescent lamps: Mild soap or detergent and warm water, using a soft cloth or sponge. Contact EncapSulite for a (PROHIBITED CHEMICAL LIST).

COATING ONLY PRICING AVAILABLE FOR CUSTOMER SUPPLIED LAMPS UPON REQUEST.

## Sylvania T6 ProGuard PC

PRODUCT CODE	ORDERING ABBREVIATION	LAMP LENGTH	PKG. QTY.	WATTS	TYPE	PIN	AVG RATED LIFE	CCT (K)	CRI	APPROX LUMENS
<b>SYLVANIA T6 PROGUARD PC</b>										
<b>42" 25 Watt Instant Start</b>										
S24270	F42T6/WW	42	24	25	T6	Single Pin	7500	3032	52	1605
S24266	F42T6/CW	42	24	25	T6	Single Pin	7500	4200	60	1540
<b>64" 38 Watt Instant Start</b>										
S26466	F64T6/CW	64	24	38	T6	Single Pin	7500	4200	60	2465

## Sylvania T8 ProGuard PC

PRODUCT CODE	ORDERING ABBREVIATION	LAMP LENGTH	PKG. QTY.	WATTS	TYPE	PIN	AVG RATED LIFE	CCT (K)	CRI	APPROX LUMENS
<b>SYLVANIA T8 PROGUARD PC 12"- 36"</b>										
<b>PREHEAT LAMPS STANDARD (Starter Req)</b>										
S21766	F13T8/CW	12	24	13	T8	Med Bipin	7500	4200	60	460
S21486	F14T8/CW	15	24	14	T8	Med Bipin	7500	4200	60	645
S21488	F14T8/D	15	24	14	T8	Med Bipin	7500	6500	76	560
S21610	F15T8/D830	18	24	15	T8	Med Bipin	7500	3000	82	845
S21701	F15T8/WW	18	24	15	T8	Med Bipin	7500	3000	52	735
S21609	F15T8/D35	18	24	15	T8	Med Bipin	7500	3500	70	845
S21616	F15T8/CW	18	24	15	T8	Med Bipin	7500	4200	60	720
S21600	F15T8/D	18	24	15	T8	Med Bipin	7500	6500	76	655
S23014	F18T8CW/K24	24	24	18	T8	Med Bipin	7500	4200	60	1035
S23027	F18T8CW/K26	26	24	18	T8	Med Bipin	7500	4200	60	1080
S23028	F18T8CW/K28	28	24	18	T8	Med Bipin	7500	4200	60	1130
S23030	F18T8CW/K30	30	24	18	T8	Med Bipin	7500	4200	60	1200
S23701	F30T8/WW	36	24	30	T8	Med Bipin	7500	3000	52	1870
S23116	F30T8/CW	36	24	30	T8	Med Bipin	7500	4200	60	1895
S23100	F30T8/D	36	24	30	T8	Med Bipin	7500	6500	76	1655
<b>18" 14 Watt OCTRON 700 SERIES</b>										
S21666	FO13/735/ECO	18	30	14	T8	Med Bipin	30000	3500	75	765
<b>24" 17 Watt OCTRON 800 SERIES XPS</b>										
S22150	FO17/830/XPS/ECO	24	30	17	T8	Med Bipin	40000	3000	85	1315
S22151	FO17/835/XPS/ECO	24	30	17	T8	Med Bipin	40000	3500	85	1315
S22152	FO17/841/XPS/ECO	24	30	17	T8	Med Bipin	40000	4100	85	1315
<b>24" 17 Watt OCTRON 800 SERIES XP</b>										
S21785	FO17/830/XP/ECO	24	30	17	T8	Med Bipin	40000	3000	85	1290
S21778	FO17/835/XP/ECO	24	30	17	T8	Med Bipin	40000	3500	85	1290
S21907	FO17/841/XP/ECO	24	30	17	T8	Med Bipin	40000	4100	85	1290
S22193	FO17/850/XP/ECO	24	30	17	T8	Med Bipin	40000	5000	85	1290
S21718	FO17/865/XP/ECO	24	30	17	T8	Med Bipin	40000	6500	85	1175

CONTINUED...



EncapSulite® International Inc. takes great pride in being the ONLY safety coater in the United States able to provide a coating that is both UL Recognized for Safety and UL-EPH Certified for Food Applications. The UL-EPH certification and the UL Recognized component recognition for the coating insure that we are in compliance with all FDA, USDA and OSHA requirements.

COATING ONLY PRICING AVAILABLE FOR CUSTOMER SUPPLIED LAMPS UPON REQUEST.

Sylvania T8 ProGuard PC (continued)

PRODUCT CODE	ORDERING ABBREVIATION	LAMP LENGTH	PKG. QTY.	WATTS	TYPE	PIN	AVG RATED LIFE	CCT (K)	CRI	APPROX LUMENS
<b>SYLVANIA T8 PROGUARD PC 12"- 36"</b> (continued)										
<b>24" 17 Watt OCTRON 800 SERIES</b>										
S22135	FO17/830/ECO	24	30	17	T8	Med Bipin	30000	3000	82	1270
S22136	FO17/835/ECO	24	30	17	T8	Med Bipin	30000	3500	82	1270
S22137	FO17/841/ECO	24	30	17	T8	Med Bipin	30000	4100	82	1270
<b>24" 17 Watt OCTRON 700 SERIES</b>										
S21918	FO17/730/ECO	24	30	17	T8	Med Bipin	30000	3000	75	1195
S21769	FO17/735/ECO	24	30	17	T8	Med Bipin	30000	3500	75	1195
S21770	FO17/741/ECO	24	30	17	T8	Med Bipin	30000	4100	75	1195
<b>36" 25 Watt OCTRON 800 SERIES XPS</b>										
S22153	FO25/830/XPS/ECO	36	30	25	T8	Med Bipin	40000	3000	85	2070
S22154	FO25/835/XPS/ECO	36	30	25	T8	Med Bipin	40000	3500	85	2070
S22155	FO25/841/XPS/ECO	36	30	25	T8	Med Bipin	40000	4100	85	2070
<b>36" 25 Watt OCTRON 800 SERIES XP</b>										
S21910	FO25/830/XP/ECO	36	30	25	T8	Med Bipin	40000	3000	85	2045
S21776	FO25/835/XP/ECO	36	30	25	T8	Med Bipin	40000	3500	85	2045
S21774	FO25/841/XP/ECO	36	30	25	T8	Med Bipin	40000	4100	85	2045
S22194	FO25/850/XP/ECO	36	30	25	T8	Med Bipin	40000	5000	85	2045
S21719	FO25/865/XP/ECO	36	30	25	T8	Med Bipin	40000	6500	85	2045
<b>36" 25 Watt OCTRON 800 SERIES</b>										
S22138	FO25/830/ECO	36	30	25	T8	Med Bipin	30000	3000	82	2020
S22139	FO25/835/ECO	36	30	25	T8	Med Bipin	30000	3500	82	2020
S22140	FO25/841/ECO	36	30	25	T8	Med Bipin	30000	4100	82	2020
<b>36" 25 Watt OCTRON 700 SERIES</b>										
S21937	FO25/730/ECO	36	30	25	T8	Med Bipin	30000	3000	75	1795
S21941	FO25/735/ECO	36	30	25	T8	Med Bipin	30000	3500	75	1795
S21942	FO25/741/ECO	36	30	25	T8	Med Bipin	30000	4100	75	1795
<b>SYLVANIA T8 PROGUARD PC 48" 25 WATTS</b>										
<b>48" 25 Watt OCTRON 800 Series XP SS</b>										
S22232	FO32/25W/830/XP/SS/ECO	48	30	25	T8	Med Bipin	40000	3000	85	2350
S22233	FO32/25W/835/XP/SS/ECO	48	30	25	T8	Med Bipin	40000	3500	85	2350
S22234	FO32/25W/841/XP/SS/ECO	48	30	25	T8	Med Bipin	40000	4100	85	2350
S22235	FO32/25W/850/XP/SS/ECO	48	30	25	T8	Med Bipin	40000	5000	81	2350
<b>48" 25 Watt OCTRON 800 Series XV SS</b>										
S22449	FO32/25W/835/XV/SS/ECO	48	30	25	T8	Med Bipin	40000	3500	83	2255
S22450	FO32/25W/841/XV/SS/ECO	48	30	25	T8	Med Bipin	40000	4100	83	2255
S22451	FO32/25W/850/XV/SS/ECO	48	30	25	T8	Med Bipin	40000	5000	81	2255
<b>SYLVANIA T8 PROGUARD PC 48" 28 WATTS</b>										
<b>48" 28 Watt OCTRON 800 Series XP SS</b>										
S22177	FO28/830/XP/SS/ECO	48	30	28	T8	Med Bipin	40000	3000	85	2560
S22178	FO28/835/XP/SS/ECO	48	30	28	T8	Med Bipin	40000	3500	85	2560
S22179	FO28/841/XP/SS/ECO	48	30	28	T8	Med Bipin	40000	4100	85	2560
S22184	FO28/850/XP/SS/ECO	48	30	28	T8	Med Bipin	40000	5000	81	2560
<b>48" 28 Watt OCTRON 800 Series XV SS</b>										
S21429	FO28/830/XV/SS/ECO	48	30	28	T8	Med Bipin	40000	3000	83	2445

CONTINUED...

COATING ONLY PRICING AVAILABLE FOR CUSTOMER SUPPLIED LAMPS UPON REQUEST.

Sylvania T8 ProGuard PC (continued)

PRODUCT CODE	ORDERING ABBREVIATION	LAMP LENGTH	PKG. QTY.	WATTS	TYPE	PIN	AVG RATED LIFE	CCT (K)	CRI	APPROX LUMENS
S21420	FO28/835/XV/SS/ECO	48	30	28	T8	Med Bipin	40000	3500	83	2445
S21421	FO28/841/XV/SS/ECO	48	30	28	T8	Med Bipin	40000	4100	83	2445
S21422	FO28/850/XV/SS/ECO	48	30	28	T8	Med Bipin	40000	5000	81	2445
<b>SYLVANIA T8 PROGUARD PC 48" 32 WATTS</b>										
<b>48" 32 Watt OCTRON 800 Series XP SS</b>										
S21680	FO32/830/XPS/ECO	48	30	32	T8	Med Bipin	40000	3000	85	2915
S21697	FO32/835/XPS/ECO	48	30	32	T8	Med Bipin	40000	3500	85	2915
S21681	FO32/841/XPS/ECO	48	30	32	T8	Med Bipin	40000	4100	85	2915
S21660	FO32/850/XPS/ECO	48	30	32	T8	Med Bipin	40000	5000	81	2820
S21659	FO32/865/XPS/ECO	48	30	32	T8	Med Bipin	40000	6500	81	2725
<b>48" 32 Watt OCTRON 800 Series XP</b>										
S21759	FO32/830/XP/ECO	48	30	32	T8	Med Bipin	40000	3000	85	2820
S21763	FO32/835/XP/ECO	48	30	32	T8	Med Bipin	40000	3500	85	2820
S21767	FO32/841/XP/ECO	48	30	32	T8	Med Bipin	40000	4100	85	2820
S22026	FO32/850/XP/ECO	48	30	32	T8	Med Bipin	40000	5000	85	2820
S21720	FO32/865/XP/ECO	48	30	32	T8	Med Bipin	40000	6500	85	2680
<b>48" 32 Watt OCTRON 800 Series XV</b>										
S21427	FO32/830/XV/ECO	48	30	32	T8	Med Bipin	40000	3000	83	2725
S22066	FO32/835/XV/ECO	48	30	32	T8	Med Bipin	40000	3500	83	2725
S20067	FO32/841/XV/ECO	48	30	32	T8	Med Bipin	40000	4100	83	2725
S20068	FO32/850/XV/ECO	48	30	32	T8	Med Bipin	40000	5000	81	2725
<b>48" 32 Watt OCTRON 800 Series</b>										
S21777	FO32/830/ECO	48	30	32	T8	Med Bipin	30000	3000	85	2775
S21779	FO32/835/ECO	48	30	32	T8	Med Bipin	30000	3500	85	2775
S21781	FO32/841/ECO	48	30	32	T8	Med Bipin	30000	4100	85	2775
S22143	FO32/850/ECO	48	30	32	T8	Med Bipin	30000	5000	81	2775
<b>48" 32 Watt OCTRON 700 Series XP</b>										
S21711	FO32/730/XP/ECO	48	30	32	T8	Med Bipin	40000	3000	78	2680
S22044	FO32/735/XP/ECO	48	30	32	T8	Med Bipin	40000	3500	78	2680
S21712	FO32/741/XP/ECO	48	30	32	T8	Med Bipin	40000	4100	78	2680
<b>48" 32 Watt OCTRON 700 Series</b>										
S21997	FO32/730/ECO	48	30	32	T8	Med Bipin	30000	3000	78	2575
S21998	FO32/735/ECO	48	30	32	T8	Med Bipin	30000	3500	78	2575
S21999	FO32/741/ECO	48	30	32	T8	Med Bipin	30000	4100	78	2575
S22141	FO32/750/ECO	48	30	32	T8	Med Bipin	30000	5000	78	2575
S22175	FO32/765/ECO	48	30	32	T8	Med Bipin	30000	6500	78	2575
<b>SYLVANIA T8 PROGUARD PC 60" - 96"</b>										
<b>60" 40 Watt OCTRON 800 Series XP</b>										
S21912	FO40/830/XP/ECO	60	30	40	T8	Med Bipin	40000	3000	85	3525
S21911	FO40/835/XP/ECO	60	30	40	T8	Med Bipin	40000	3500	85	3525
S21916	FO40/841/XP/ECO	60	30	40	T8	Med Bipin	40000	4100	85	3525
S21721	FO40/865/XP/ECO	60	30	40	T8	Med Bipin	40000	6500	85	3430
<b>60" 40 Watt OCTRON 800 Series</b>										
S22144	FO40/830/ECO	60	30	40	T8	Med Bipin	30000	3000	82	3430
S22145	FO40/835/ECO	60	30	40	T8	Med Bipin	30000	3500	82	3430
S22146	FO40/841/ECO	60	30	40	T8	Med Bipin	30000	4100	82	3430

CONTINUED...

COATING ONLY PRICING AVAILABLE FOR CUSTOMER SUPPLIED LAMPS UPON REQUEST.

Sylvania T8 ProGuard PC (continued)

PRODUCT CODE	ORDERING ABBREVIATION	LAMP LENGTH	PKG. QTY.	WATTS	TYPE	PIN	AVG RATED LIFE	CCT (K)	CRI	APPROX LUMENS
<b>SYLVANIA T8 PROGUARD PC 60" - 96"</b> (continued)										
<b>60" 40 Watt OCTRON 700 Series</b>										
S22102	FO40/730/ECO	60	30	40	T8	Med Bipin	30000	3000	75	3220
S22103	FO40/735/ECO	60	30	40	T8	Med Bipin	30000	3500	75	3220
S22104	FO40/741/ECO	60	30	40	T8	Med Bipin	30000	4100	75	3220
<b>96" 54 Watt OCTRON 800 Series XP SS</b>										
S22100	FO96/54W/835/XP/SS/ECO	96	24	54	T8	Single Pin	36000	3500	85	5360
S22101	FO96/54W/841/XP/SS/ECO	96	24	54	T8	Single Pin	36000	4100	85	5360
S22347	FO96/54W/850/XP/SS/ECO	96	24	54	T8	Single Pin	36000	5000	81	5360
<b>96" 50 Watt OCTRON 800 Series XP SS</b>										
S22420	FO96/50W/835/XP/SS/ECO	96	24	50	T8	Single Pin	36000	3500	85	5075
S22421	FO96/50W/841/XP/SS/ECO	96	24	50	T8	Single Pin	36000	4100	85	5075
<b>96" 59 Watt OCTRON 800 Series XP</b>										
S22036	FO96/830/XP/ECO	96	24	59	T8	Single Pin	36000	3000	85	5730
S22034	FO96/835/XP/ECO	96	24	59	T8	Single Pin	36000	3500	85	5730
S22032	FO96/841/XP/ECO	96	24	59	T8	Single Pin	36000	4100	85	5730
S22174	FO96/850/XP/ECO	96	24	59	T8	Single Pin	36000	5000	85	5730
<b>96" 50 Watt OCTRON 800 Series XV SS</b>										
S21426	FO96/50W/835/XV/SS/ECO	96	24	50	T8	Single Pin	36000	3500	83	4795
S21425	FO96/50W/841/XV/SS/ECO	96	24	50	T8	Single Pin	36000	4100	83	4795
<b>96" 54 Watt OCTRON 800 Series XV SS</b>										
S21423	FO96/54W/835/XV/SS/ECO	96	24	54	T8	Single Pin	36000	3500	83	5075
S21424	FO96/54W/841/XV/SS/ECO	96	24	54	T8	Single Pin	36000	4100	83	5075
<b>96" 59 Watt OCTRON 800 Series</b>										
S22147	FO96/830/ECO	96	24	59	T8	Single Pin	30000	3000	82	5430
S22148	FO96/835/ECO	96	24	59	T8	Single Pin	30000	3500	82	5430
S22149	FO96/841/ECO	96	24	59	T8	Single Pin	30000	4100	82	5430
S22173	FO96/850/ECO	96	24	59	T8	Single Pin	30000	5000	81	5430
<b>96" 59 Watt OCTRON 700 Series</b>										
S22030	FO96/730/ECO	96	24	59	T8	Single Pin	22500	3000	75	5245
S21737	FO96/735/ECO	96	24	59	T8	Single Pin	22500	3500	75	5245
S21736	FO96/741/ECO	96	24	59	T8	Single Pin	22500	4100	75	5245
<b>SYLVANIA T8HO PROGUARD PC</b>										
<b>96" 86 Watt OCTRON 700 Series HO</b>										
S22204	FO96/735/HO/ECO	96	24	86	T8	RDC	27000	3500	78	7520
S22205	FO96/741/HO/ECO	96	24	86	T8	RDC	27000	4100	78	7520
<b>96" 86 Watt OCTRON 800 SERIES HO</b>										
S22206	FO96/835/HO/ECO	96	24	86	T8	RDC	27000	3500	85	7710
S22207	FO96/841/HO/ECO	96	24	86	T8	RDC	27000	4100	85	7710
<b>SYLVANIA T8 U-SHAPED PROGUARD PC</b>										
S22055	FBO32/835/XP/6/ECO	24	16	32	T8	Med-Bipin	24000	3500	85	2725
S22057	FBO32/841/XP/6/ECO	24	16	32	T8	Med-Bipin	24000	4100	85	2725
S21663	FBO32/830/6/ECO	24	16	32	T8	Med-Bipin	20000	3000	82	2680
S21670	FBO32/835/6/ECO	24	16	32	T8	Med-Bipin	20000	3500	82	2680
S21671	FBO32/841/6/ECO	24	16	32	T8	Med-Bipin	20000	4100	82	2680

CONTINUED...

COATING ONLY PRICING AVAILABLE FOR CUSTOMER SUPPLIED LAMPS UPON REQUEST.

## Sylvania T12 ProGuard PC

PRODUCT CODE	ORDERING ABBREVIATION	LAMP LENGTH	PKG. QTY.	WATTS	TYPE	PIN	AVG RATED LIFE	CCT (K)	CRI	APPROX LUMENS
<b>SYLVANIA T12 PROGUARD PC</b>										
<b>15" 14 Watt PREHEAT (Starter Req.)</b>										
S21409	F14T12/CW	15	30	14	T12	Med Bipin	9000	4200	60	565
<b>18" 15 Watt PREHEAT (Starter Req.)</b>										
S21542	F15T12/WW	18	30	15	T12	Med Bipin	9000	3000	52	670
S21532	F15T12/CW	18	30	15	T12	Med Bipin	9000	4200	60	655
<b>24" 20 Watt PREHEAT (Starter Req.)</b>										
S22131	F20T12/WW	24	30	20	T12	Med Bipin	9000	3000	52	1090
S22251	F20T12/D35	24	30	20	T12	Med Bipin	9000	3500	70	1170
S22078	F20T12/CW	24	30	20	T12	Med Bipin	9000	4200	60	1045
S22119	F20T12/DSgN50	24	30	20	T12	Med Bipin	9000	5000	90	765
S22083	F20T12/D	24	30	20	T12	Med Bipin	9000	6500	76	935
<b>24" 21 Watt Slimline Instant Start</b>										
S22403	F24T12/CW	24	30	21	T12	Single Pin	7500	4200	60	1000
<b>28" 25 Watt PREHEAT (Starter Req.)</b>										
S22527	F25T12/CW/28	28	30	25	T12	Med Bipin	7500	4200	60	1455
<b>30" 25 Watt PREHEAT (Starter Req.)</b>										
S22333	F25T12/WW/30	30	30	25	T12	Med Bipin	7500	3000	52	1525
S22528	F25T12/CW/30	30	30	25	T12	Med Bipin	7500	4200	60	1505
<b>33" 25 Watt PREHEAT (Starter Req.)</b>										
S22529	F25T12/CW/33	33	30	25	T12	Med Bipin	7500	4200	60	1610
<b>36" 25 Watt PREHEAT (Starter Req.)</b>										
S23472	F25T12/CW/RS/SS	36	30	25	T12	Med Bipin	18000	4200	60	1635
<b>36" 30 Watt Rapid Start</b>										
S23484	F30T12/D35/RS	36	30	30	T12	Med Bipin	18000	3500	70	1980
S23476	F30T12/CW/RS	36	30	30	T12	Med Bipin	18000	4200	60	1870
S23478	F30T12/D/RS	36	30	30	T12	Med Bipin	18000	6500	76	1615
<b>36" 30 Watt Instant Start</b>										
S23618	F36T12/CW	36	30	30	T12	Single Pin	7500	4200	60	1735
<b>48" 34 Watt Rapid Start SS</b>										
S24588	F34CW/SS	48	30	34	T12	Med Bipin	28800	4100	87	1655
S24599	F34/DX/SS	48	30	34	T12	Med Bipin	28800	6500	88	1565
<b>48" 40 Watt Rapid Start</b>										
S24441	F40CW	48	30	40	T12	Med Bipin	28800	4100	87	1850
S24683	F40DSgN50	48	30	40	T12	Med Bipin	28800	5000	90	1890
S24477	F40/DX	48	30	40	T12	Med Bipin	28800	6500	88	1770
<b>48" 39 Watt Instant Start</b>										
S24832	F48T12/D35	48	30	39	T12	Single Pin	9000	3500	70	2760
S24827	F48T12/CW/ECO	48	30	39	T12	Single Pin	9000	4200	60	2480
S24830	F48T12/CW	48	30	39	T12	Single Pin	9000	4200	60	2480
<b>48" 32 Watt Instant Start</b>										
S24829	F48T12/D35/SS	48	30	32	T12	Single Pin	9000	3500	70	2370
S24823	F48T12/CW/SS	48	30	32	T12	Single Pin	9000	4200	60	2200

CONTINUED...

COATING ONLY PRICING AVAILABLE FOR CUSTOMER SUPPLIED LAMPS UPON REQUEST.

## Sylvania T12 ProGuard PC (continued)

PRODUCT CODE	ORDERING ABBREVIATION	LAMP LENGTH	PKG. QTY.	WATTS	TYPE	PIN	AVG RATED LIFE	CCT (K)	CRI	APPROX LUMENS
<b>SYLVANIA T12 PROGUARD (continued)</b>										
<b>60" 50 Watt Slimline Instant Start</b>										
S26001	F60T12/CW	60	30	50	T12	Single Pin	12000	4200	60	3255
S26002	F60T12/D	60	30	50	T12	Single Pin	12000	6500	76	2640
<b>64" 52 Watt Slimline Instant Start</b>										
S26404	F64T12/D	64	30	52	T12	Single Pin	12000	6500	76	2905
<b>72" 55 Watt Slimline Instant Start</b>										
S27250	F72T12/D35	72	15	55	T12	Single Pin	12000	3500	70	4325
S27256	F72T12/CW	72	15	55	T12	Single Pin	12000	4200	60	3960
S27259	F72T12/D	72	15	55	T12	Single Pin	12000	6500	76	3430
<b>96" 75 Watt Slimline Instant Start</b>										
S29478	F96T12/CWX	96	15	75	T12	Single Pin	12000	4100	87	3870
S23504	F96T12/WX	96	15	75	T12	Single Pin	12000	3500	87	3780
S29833	F96T12/DSgN50	96	15	75	T12	Single Pin	12000	5000	90	3870
S29500	F96T12/DX	96	15	75	T12	Single Pin	12000	6500	88	3835
<b>96" 60 Watt Slimline Instant Start</b>										
S29828	F96T12/DX/SS	96	15	60	T12	Single Pin	18000	6500	88	3400
<b>SYLVANIA T12HO PROGUARD PC</b>										
<b>24" 35 Watt Rapid Start HO</b>										
S25313	F24T12/CW/HO	24	30	35	T12	RDC	9000	4200	60	1335
S25314	F24T12/D/HO	24	30	35	T12	RDC	9000	6500	76	1135
<b>30" 42 Watt Rapid Start HO</b>										
S25322	F30T12/CW/HO	30	30	42	T12	RDC	9000	4200	60	1825
<b>36" 45 Watt Rapid Start HO</b>										
S25333	F36T12/CW/HO	36	30	45	T12	RDC	9000	4200	60	2310
S25332	F36T12/D/HO	36	30	45	T12	RDC	9000	6500	76	2025
<b>42" 55 Watt Rapid Start HO</b>										
S25342	F42T12/CW/HO	42	30	55	T12	RDC	9000	4200	60	2755
<b>48" 60 Watt Rapid Start HO</b>										
S25146	F48T12/CW/HO	48	30	60	T12	RDC	12000	4200	60	3280
<b>60" 75 Watt Rapid Start HO</b>										
S25126	F60T12/CW/HO	60	30	75	T12	RDC	12000	4200	60	4210
S25120	F60T12/D/HO	60	30	75	T12	RDC	12000	6500	76	3825
<b>64" 80 Watt Rapid Start HO</b>										
S25352	F64T12/CW/HO	64	30	80	T12	RDC	12000	4200	60	4660
S25353	F64T12/D/HO	64	30	80	T12	RDC	12000	6500	76	3970
<b>72" 85 Watt Rapid Start HO</b>										
S25176	F72T12/CW/HO	72	15	85	T12	RDC	12000	4200	60	5065
S25189	F72T12/D/HO	72	15	85	T12	RDC	12000	6500	76	4495
<b>84" 100 Watt Rapid Start HO</b>										
S25384	F84T12/CW/HO	84	15	100	T12	RDC	12000	4200	60	6115
S25385	F84T12/D/HO	84	15	100	T12	RDC	12000	6500	76	5425

CONTINUED...

COATING ONLY PRICING AVAILABLE FOR CUSTOMER SUPPLIED LAMPS UPON REQUEST.

### Sylvania T12 ProGuard PC (continued)

PRODUCT CODE	ORDERING ABBREVIATION	LAMP LENGTH	PKG. QTY.	WATTS	TYPE	PIN	AVG RATED LIFE	CCT (K)	CRI	APPROX LUMENS
<b>96" 110 Watt Rapid Start HO</b>										
S25129	F96T12/CW/HO/CT/ECO	96	15	110	T12	RDC	12000	4200	60	6965
S25134	F96T12/CW/HO/COLDTEMP	96	15	110	T12	RDC	12000	4200	60	6965
S25135	F96T12/D/HO/COLDTEMP	96	15	110	T12	RDC	12000	6500	76	6155
S25164	F96T12/DSgN50/HO	96	15	110	T12	RDC	12000	5000	90	5225
<b>SYLVANIA T12VHO PROGUARD PC</b>										
<b>48" 115 Watt Rapid Start VHO</b>										
S25248	F48T12/CW/VHO	48	30	115	T12	RDC	10000	4200	60	4620
<b>96" 215 Watt Rapid Start VHO</b>										
S25209	F96T12/CW/VHO	96	15	215	T12	RDC	10000	4200	60	9800

### Philips T8 ProGuard PC

PRODUCT CODE	ORDERING ABBREVIATION	LAMP LENGTH	PKG. QTY.	WATTS	TYPE	PIN	AVG RATED LIFE	CCT (K)	CRI	APPROX LUMENS
<b>PHILIPS T8 PROGUARD PC 18" - 36"</b>										
<b>18" 15 Watt PREHEAT LAMPS STANDARD (Starter Req)</b>										
P407205	F15T8D	18	25	15	T8	Med Bipin	7500	6500	73	660
P407197	F15T8/CW	18	25	15	T8	Med Bipin	7500	4100	59	765
<b>36" 30 Watt PREHEAT LAMPS STANDARD (Starter Req)</b>										
P281477	F30T8/CW/ALTO	36	25	30	T8	Med Bipin	7500	4100	59	2000
<b>24" 17 Watt 800 Series ADVANTAGE HIGH LUMEN ALTO II</b>										
P281303	F17T8/ADV830/ALTO	24	30	17	T8	Med Bipin	30000	3000	85	1450
P281311	F17T8/ADV835/ALTO	24	30	17	T8	Med Bipin	30000	3500	84	1450
P281329	F17T8/ADV841/ALTO	24	30	17	T8	Med Bipin	30000	4100	82	1450
<b>24" 17 Watt 800 Series Long Life ALTO II</b>										
P280933	F17T8/TL830/PLUS/ALTO	24	30	17	T8	Med Bipin	36000	3000	85	1330
P280941	F17T8/TL835/PLUS/ALTO	24	30	17	T8	Med Bipin	36000	3500	85	1330
P280958	F17T8/TL841/PLUS/ALTO	24	30	17	T8	Med Bipin	36000	4100	85	1330
P280966	F17T8/TL850/PLUS/ALTO	24	30	17	T8	Med Bipin	36000	5000	82	1260
P281931	F17T8/TL865/PLUS/ALTO	24	30	17	T8	Med Bipin	36000	6500	82	1210
<b>24" 17 Watt 800 Series ALTO II</b>										
P281881	F17T8/TL835/ALTO	24	30	17	T8	Med Bipin	30000	3500	84	1280
P281899	F17T8/TL841/ALTO	24	30	17	T8	Med Bipin	30000	4100	82	1280
P280909	F17T8/TL850/ALTO	24	30	17	T8	Med Bipin	30000	5000	82	1235
<b>36" 25 Watt 800 Series ADVANTAGE HIGH LUMEN ALTO II</b>										
P281402	F25T8/ADV835/ALTO	36	30	25	T8	Med Bipin	30000	3500	84	2300
P281428	F25T8/ADV841/ALTO	36	30	25	T8	Med Bipin	30000	4100	82	2300
<b>36" 25 Watt 800 Series Long Life ALTO II</b>										
P280974	F25T8/TL830/PLUS/ALTO	36	30	25	T8	Med Bipin	36000	3000	85	2115
P280982	F25T8/TL835/PLUS/ALTO	36	30	25	T8	Med Bipin	36000	3500	85	2115
P280990	F25T8/TL841/PLUS/ALTO	36	30	25	T8	Med Bipin	36000	4100	85	2115
<b>36" 25 Watt 800 Series ALTO II</b>										
P281907	F25T8/TL835/ALTO	36	30	25	T8	Med Bipin	30000	3500	85	2040
P281915	F25T8/TL841/ALTO	36	30	25	T8	Med Bipin	30000	4100	84	2040
P280925	F25T8/TL850/ALTO	36	30	25	T8	Med Bipin	30000	5000	82	2040

CONTINUED...

COATING ONLY PRICING AVAILABLE FOR CUSTOMER SUPPLIED LAMPS UPON REQUEST.

Philips T8 ProGuard PC (continued)

PRODUCT CODE	ORDERING ABBREVIATION	LAMP LENGTH	PKG. QTY.	WATTS	TYPE	PIN	AVG RATED LIFE	CCT (K)	CRI	APPROX LUMENS
<b>PHILIPS T8 PROGUARD PC 48" 25 WATTS</b>										
<b>48" 25 Watt 800 Series ENERGY ADVANTAGE ALTO II</b>										
P282046	F32T8/ADV830/XEW/ALTO 25 Watt	48	30	25	T8	Med Bipin	38000	3000	85	2500
P282095	F32T8/ADV835/XEW/ALTO 25 Watt	48	30	25	T8	Med Bipin	38000	3500	84	2500
P280784	F32T8/ADV841/XEW/ALTO 25 Watt	48	30	25	T8	Med Bipin	38000	4100	82	2500
P280792	F32T8/ADV850/XEW/ALTO 25 Watt	48	30	25	T8	Med Bipin	38000	5000	82	2400
<b>PHILIPS T8 PROGUARD PC 48" 28 WATTS</b>										
<b>48" 28 Watt 800 Series ENERGY ADVANTAGE ALTO II</b>										
P281014	F32T8/ADV830/EW/ALTO 28 Watt	48	30	28	T8	Med Bipin	38000	3000	85	2725
P281022	F32T8/ADV835/EW/ALTO 28 Watt	48	30	28	T8	Med Bipin	38000	3500	84	2725
P281030	F32T8/ADV841/EW/ALTO 28 Watt	48	30	28	T8	Med Bipin	38000	4100	82	2725
P281055	F32T8/ADV850/EW/ALTO 28 Watt	48	30	28	T8	Med Bipin	38000	5000	82	2675
<b>PHILIPS T8 PROGUARD 48" 32 WATTS</b>										
<b>48" 32 Watt 800 Series ADVANTAGE HIGH LUMEN ALTO II</b>										
P280800	F32T8/ADV830/ALTO	48	30	32	T8	Med Bipin	30000	3000	85	3000
P280818	F32T8/ADV835/ALTO	48	30	32	T8	Med Bipin	30000	3500	84	3000
P280859	F32T8/ADV841/ALTO	48	30	32	T8	Med Bipin	30000	4100	82	3000
P280891	F32T8/ADV850/ALTO	48	30	32	T8	Med Bipin	30000	5000	82	2910
<b>48" 32 Watt 800 SERIES LONG LIFE PLUS ALTO II</b>										
P281659	F32T8/TL830/PLUS/ALTO	48	30	32	T8	Med Bipin	36000	3000	85	2800
P281675	F32T8/TL835/PLUS/ALTO	48	30	32	T8	Med Bipin	36000	3500	85	2800
P281790	F32T8/TL841/PLUS/ALTO	48	30	32	T8	Med Bipin	36000	4100	85	2800
P281816	F32T8/TL850/PLUS/ALTO	48	30	32	T8	Med Bipin	36000	5000	82	2710
<b>48" 32 Watt 700 Series ALTO II</b>										
P281824	F32T8/TL730/PLUS/ALTO	48	30	32	T8	Med Bipin	36000	3000	78	2660
P281832	F32T8/TL735/PLUS/ALTO	48	30	32	T8	Med Bipin	36000	3500	78	2660
P281840	F32T8/TL741/PLUS/ALTO	48	30	32	T8	Med Bipin	36000	4100	78	2660
P281857	F32T8/TL750/PLUS/ALTO	48	30	32	T8	Med Bipin	36000	5000	78	2550
P423061	F32T8/TL765/PLUS/ALTO	48	30	32	T8	Med Bipin	36000	6500	78	2610
<b>48" 32 Watt 800 Series ALTO II</b>										
P281519	F32T8/TL830/ALTO	48	30	32	T8	Med Bipin	30000	3000	85	2710
P281535	F32T8/TL835/ALTO	48	30	32	T8	Med Bipin	30000	3500	84	2710
P281550	F32T8/TL841/ALTO	48	30	32	T8	Med Bipin	30000	4100	82	2710
P281568	F32T8/TL850/ALTO	48	30	32	T8	Med Bipin	30000	5000	82	2710
<b>48" 32 Watt 700 Series ALTO II</b>										
P281626	F32T8/TL730 ALTO	48	30	32	T8	Med Bipin	30000	3000	78	2565
P281618	F32T8/TL735/ALTO	48	30	32	T8	Med Bipin	30000	3500	78	2565
P281576	F32T8/TL741/ALTO	48	30	32	T8	Med Bipin	30000	4100	78	2565
P281634	F32T8/TL750/ALTO	48	30	32	T8	Med Bipin	30000	5000	78	2470
<b>PHILIPS T8 PROGUARD PC 60" - 96"</b>										
<b>60" 40 Watt 800 Series ALTO II</b>										
P368472	F40T8/TL841/ALTO	60	25	40	T8	Med Bipin	30000	4100	82	3500

CONTINUED...

COATING ONLY PRICING AVAILABLE FOR CUSTOMER SUPPLIED LAMPS UPON REQUEST.

## Philips T8 ProGuard PC (continued)

PRODUCT CODE	ORDERING ABBREVIATION	LAMP LENGTH	PKG. QTY.	WATTS	TYPE	PIN	AVG RATED LIFE	CCT (K)	CRI	APPROX LUMENS
<b>96" 51 Watt 800 Series ENERGY ADVANTAGE ALTO II</b>										
P163212	F96T8/ADV835/XEW/ALTO 51W	96	25	51	T8	Single Pin	30000	3500	85	4940
P163311	F96T8/ADV841/XEW/ALTO 51W	96	25	51	T8	Single Pin	30000	4100	85	4940
P164574	F96T8/ADV850/XEW/ALTO 51W	96	25	51	T8	Single Pin	30000	5000	82	4840
<b>96" 59 Watt 800 Series Plus Slimline ALTO</b>										
P236844	F96T8/TL835/PLUS/ALTO	96	25	59	T8	Single Pin	30000	3500	85	5490
P236851	F96T8/TL841/PLUS/ALTO	96	25	59	T8	Single Pin	30000	4100	85	5490
P236869	F96T8/TL850/PLUS/ALTO	96	25	59	T8	Single Pin	30000	5000	82	5375
<b>96" 59 Watt 700 Series Plus Slimline ALTO</b>										
P236810	F96T8/TL735/PLUS/ALTO	96	25	59	T8	Single Pin	30000	3500	78	5190
P236828	F96T8/TL741/PLUS/ALTO	96	25	59	T8	Single Pin	30000	4100	78	5190
<b>PHILIPS T8HO PROGUARD PC</b>										
<b>48" 44 Watt 800 Series Plus HO ALTO</b>										
P236794	F48T8/TL841/HO/ALTO	48	25	44	T8	RDC	18000	4100	85	3600
<b>72" 65 Watt 800 Series Plus HO ALTO</b>										
P236802	F72T8/TL841/HO/ALTO	72	25	65	T8	RDC	18001	4100	86	5490
<b>96" 86 Watt 800 Series Plus HO ALTO</b>										
P236877	F96T8/TL835/HO/PLUS/ALTO	96	25	86	T8	RDC	30000	3500	85	7625
P236885	F96T8/TL841/HO/PLUS/ALTO	96	25	86	T8	RDC	30000	4100	85	7625
P236893	F96T8/TL850/HO/PLUS/ALTO	96	25	86	T8	RDC	30000	5000	82	7550
<b>PHILIPS U-BENT T8</b>										
P378976	FB32T8/TL830/6/ALTO	247/16	20	32	T8	Med Bipin	30000	3000	85	2535
P379008	FB32T8/TL835/6/ALTO	247/16	20	32	T8	Med Bipin	30000	3500	85	2535
P379024	FB32T8/TL841/6/ALTO	247/16	20	32	T8	Med Bipin	30000	4100	85	2535
P378802	FB32T8/TL850/6/ALTO	247/16	20	32	T8	Med Bipin	30000	5000	82	2450

## Philips T12 ProGuard PC

PRODUCT CODE	ORDERING ABBREVIATION	LAMP LENGTH	PKG. QTY.	WATTS	TYPE	PIN	AVG RATED LIFE	CCT (K)	CRI	APPROX LUMENS
<b>PHILIPS T12 PROGUARD</b>										
<b>15" 14 Watt PREHEAT (Starter Req.)</b>										
P141515	F14T12/CW	15	30	14	T12	Med Bipin	9000	4100	59	590
<b>18" 15 Watt PREHEAT (Starter Req.)</b>										
P141499	F15T12/CW 30PK	18	30	15	T12	Med Bipin	9000	4100	62	695
<b>24" 20 Watt PREHEAT (Starter Req.)</b>										
P273284	F20T12/D/ALTO	24	30	20	T12	Med Bipin	9000	6500	73	960
P273326	F20T12/CW/ALTO	24	30	20	T12	Med Bipin	9000	4100	62	1050
P273490	F20T12/WW/ALTO	24	30	20	T12	Med Bipin	9000	3000	53	1100
<b>36" 30 Watt Rapid Start ALTO</b>										
P376491	F30T12/D/RS/ALTO	36	30	30	T12	Med Bipin	18000	6500	73	1700
P272427	F30T12/CW/RS/ALTO	36	30	30	T12	Med Bipin	18000	4100	62	1900
P132217	F30T12/WW/RS/ALTO	36	30	30	T12	Med Bipin	18000	3000	53	1950

CONTINUED...

COATING ONLY PRICING AVAILABLE FOR CUSTOMER SUPPLIED LAMPS UPON REQUEST.

Philips T12 ProGuard PC (continued)

PRODUCT CODE	ORDERING ABBREVIATION	LAMP LENGTH	PKG. QTY.	WATTS	TYPE	PIN	AVG RATED LIFE	CCT (K)	CRI	APPROX LUMENS
<b>48" 39 Watt Slimline ALTO</b>										
P362194	F48T12/D/ALTO	48	15	39	T12	Single Pin	9000	6500	73	2220
P363218	F48T12/CW ALTO 15PK	48	15	39	T12	Single Pin	9000	4100	62	2600
<b>48" 40 Watt Rapid Start ALTO</b>										
P423186	F40T12/NX/ALTO	48	30	40	T12	Med Bipin	20000	3500	88	2200
P423889	F40T12/CWSupreme/ALTO	48	30	40	T12	Med Bipin	20000	4100	89	2250
P423129	F40T12/CWSupreme/PLUS/ALTO	48	30	40	T12	Med Bipin	24000	4100	89	2220
P423897	F40T12/C50Supreme/ALTO	48	30	40	T12	Med Bipin	20000	5000	90	2175
P273599	F40/DX/ALTO	48	30	40	T12	Med Bipin	20000	6500	90	2025
<b>72" 56 Watt Slimline Instant Start ALTO</b>										
P369850	F72T12/D/ALTO	72	15	56	T12	Single Pin	12000	6500	73	3350
P369892	F72T12/CW/ALTO	72	15	56	T12	Single Pin	12000	4100	59	3900
<b>96" 75 Watt Slimline Instant Start ALTO</b>										
P423053	F96T12/NX/ALTO	96	15	75	T12	Single Pin	12000	3500	88	4250
P423194	F96T12/CWSupreme/ALTO	96	15	75	T12	Single Pin	12000	4100	89	4250
P423871	F96T12/C50Supreme/ALTO	96	15	75	T12	Single Pin	12000	5000	90	4350
P372821	F96T12/DX/ALTO	96	15	75	T12	Single Pin	12000	6500	90	4200
<b>PHILIPS T12HO PROGUARD PC</b>										
<b>24" 35 Watt HO</b>										
P141457	F24T12/CW/HO	24	30	35	T12	RDC	9000	4100	59	1390
<b>30" 40 Watt HO</b>										
P141424	F30T12/CW/HO	30	30	40	T12	RDC	9000	4100	59	1900
<b>36" 50 Watt HO</b>										
P141382	F36T12/D/HO	36	30	50	T12	RDC	9000	6500	73	2150
P141390	F36T12/CW/HO	36	30	50	T12	RDC	9000	4100	59	2450
<b>42" 55 Watt HO</b>										
P141374	F42T12/CW/HO	42	30	55	T12	RDC	9000	4100	59	2950
<b>48" 60 Watt HO ALTO</b>										
P369843	F48T12/D/HO/ALTO	48	15	60	T12	RDC	12000	6500	73	3000
P369785	F48T12/CW/HO/ALTO	48	15	60	T12	RDC	12000	4100	59	3500
<b>64" 80 Watt HO</b>										
P355784	F64T12/CW/HO	64	15	80	T12	RDC	12000	4100	62	4850
<b>72" 85 Watt HO ALTO</b>										
P366534	F72T12/D/HO/ALTO	72	15	85	T12	RDC	12000	6500	73	4850
P366518	F72T12/CW/HO/ALTO	72	15	85	T12	RDC	12000	4100	59	5500
<b>84" 100 Watt HO ALTO</b>										
P234484	F84T12/CW/HO/ALTO	84	15	100	T12	RDC	12000	4100	62	6800
P234534	F84T12/D/HO/ALTO	84	15	100	T12	RDC	12000	6500	79	6000
<b>96" 110 Watt Low Temperature HO ALTO</b>										
P381764	F96T12/CW/HO-O/ALTO	96	15	110	T12	RDC	12000	4100	59	7650
P381774	F96T12/D/HO-O/ALTO	96	15	110	T12	RDC	12000	6500	73	6800
<b>96" 110 Watt HO ALTO</b>										
P214890	F96T12/DX/HO	96	15	110	T12	RDC	12000	6500	82	5800

CONTINUED...

**COATING ONLY PRICING AVAILABLE FOR CUSTOMER SUPPLIED LAMPS UPON REQUEST.**

## Philips T12 ProGuard PC (continued)

PRODUCT CODE	ORDERING ABBREVIATION	LAMP LENGTH	PKG. QTY.	WATTS	TYPE	PIN	AVG RATED LIFE	CCT (K)	CRI	APPROX LUMENS
<b>PHILIPS T12HO PROGUARD</b>										
<b>48" 110 Watt VHO</b>										
P218198	F48T12/CW/VHO	48	15	110	T12	RDC	12000	4100	59	4950
<b>96" 185 Watt VHO</b>										
P342329	F96T12/CW/VHO/EW	96	15	185	T12	RDC	12000	4100	59	9000
<b>96" 215 Watt VHO</b>										
P342345	F96T12/CW/VHO	96	15	215	T12	RDC	12000	4100	59	10700
<b>PHILIPS U-BENT T12</b>										
P423095	FB40/T12/NX/6	247/16	12	40	T12	Med Bipin	18000	3500	90	1955
P423087	FB40/T12/CWSupreme/6	247/16	12	40	T12	Med Bipin	18000	4100	90	1955
P219931	FB40/DX/6	247/16	12	40	T12	Med Bipin	18000	6500	90	1950

## GE T8 ProGuard PC

PRODUCT CODE	ORDERING ABBREVIATION	LAMP LENGTH	PKG. QTY.	WATTS	TYPE	PIN	AVG RATED LIFE	CCT (K)	CRI	APPROX LUMENS
<b>GE T8 PROGUARD PC 12" - 36"</b>										
<b>PREHEAT LAMPS STANDARD (Starter Req)</b>										
G10098	F13T8/CW	12	24	13	T8	Med BiPin	7500	4100	60	480
G10104	F14T8/CW	15	24	14	T8	Med BiPin	7500	4100	60	580
G17911	F15T8/SP35	18	24	15	T8	Med BiPin	7500	3500	75	850
G19643	F15T8/SP41	18	24	15	T8	Med BiPin	7500	4100	72	850
G19644	F15T8/SPX30	18	24	15	T8	Med BiPin	7500	3000	82	900
G19645	F15T8/SPX35	18	24	15	T8	Med BiPin	7500	3500	82	900
G10142	F15T8/CW	18	24	15	T8	Med BiPin	7500	4100	60	725
G10134	F15T8/D	18	24	15	T8	Med BiPin	7500	6500	75	615
G10147	F15T8/WW	18	24	15	T8	Med BiPin	7500	3000	52	745
<b>24" 17 Watt Starcoat Ecolux SPX SERIES</b>										
G45742	F17T8/SPX30/ECO	24	24	17	T8	Med BiPin	36000	3000	85	1280
G45747	F17T8/SPX35/ECO	24	24	17	T8	Med BiPin	36000	3500	85	1280
G45749	F17T8/SPX41/ECO	24	24	17	T8	Med BiPin	36000	4100	85	1280
<b>36" 25 Watt Starcoat Ecolux SP SERIES</b>										
G45750	F25T8/SP30/ECO	36	24	25	T8	Med BiPin	36000	3000	78	1970
G45754	F25T8/SP35/ECO	36	24	25	T8	Med BiPin	36000	3500	78	1970
G45756	F25T8/SP41/ECO	36	24	25	T8	Med BiPin	36000	4100	78	1970
<b>36" 25 Watt Starcoat Ecolux SPX SERIES</b>										
G45753	F25T8/SPX30/ECO	36	24	25	T8	Med BiPin	36000	3000	85	2040
G45755	F25T8/SPX35/ECO	36	24	25	T8	Med BiPin	36000	3500	85	2040
G45757	F25T8/SPX41/ECO	36	24	25	T8	Med BiPin	36000	4100	85	2040
<b>GE T8 PROGUARD PC 48" 28 WATTS</b>										
<b>48" 28 Watt Ultra Max SPX SERIES</b>										
G72863	F28T8/XL/SPX30/ECO	48	36	28	T8	Med BiPin	50000	3000	85	2515
G72864	F28T8/XL/SPX35/ECO	48	36	28	T8	Med BiPin	50000	3500	85	2515
G72866	F28T8/XL/SPX41/ECO	48	36	28	T8	Med BiPin	50000	4100	82	2515
G72867	F28T8/XL/SPX50/ECO	48	36	28	T8	Med BiPin	50000	5000	80	2515
G66346	F28T8/XL/SPX65/ECO	48	36	28	T8	Med BiPin	50000	6500	80	2440

CONTINUED...

COATING ONLY PRICING AVAILABLE FOR CUSTOMER SUPPLIED LAMPS UPON REQUEST.

GE T8 ProGuard PC (continued)

PRODUCT CODE	ORDERING ABBREVIATION	LAMP LENGTH	PKG. QTY.	WATTS	TYPE	PIN	AVG RATED LIFE	CCT (K)	CRI	APPROX LUMENS
<b>GE T8 PROGUARD PC 48" 32 WATTS</b>										
<b>48" 32 Watt Starcoat Ecolux SP SERIES</b>										
G26666	F32T8/SP30/ECO	48	36	32	T8	Med BiPin	36000	3000	78	2300
G26667	F32T8/SP35/ECO	48	36	32	T8	Med BiPin	36000	3500	78	2300
G26668	F32T8/SP41/ECO	48	36	32	T8	Med BiPin	36000	4100	78	2300
G16090	F32T8/SP50/ECO	48	36	32	T8	Med BiPin	36000	5000	78	2300
G16091	F32T8/SP65/ECO	48	36	32	T8	Med BiPin	36000	6500	78	2300
<b>48" 32 Watt Starcoat Ecolux SPX SERIES</b>										
G68850	F32T8/SPX30/ECO2	48	36	32	T8	Med BiPin	36000	3000	85	2770
G68851	F32T8/SPX35/ECO2	48	36	32	T8	Med BiPin	36000	3500	85	2770
G68852	F32T8/SPX41/ECO2	48	36	32	T8	Med BiPin	36000	4100	85	2770
G68853	F32T8/SPX50/ECO2	48	36	32	T8	Med BiPin	36000	5000	82	2755
G66342	F32T8/SPX65/ECO2	48	36	32	T8	Med BiPin	36000	6500	78	2755
<b>GE T8 PROGUARD PC 60" - 96"</b>										
<b>60" 40 Watt Starcoat SPX SERIES</b>										
G22660	F40T8/SPX30	60	24	40	T8	Med BiPin	20000	3000	84	3350
G22661	F40T8/SPX35	60	24	40	T8	Med BiPin	20000	3500	84	3350
G22662	F40T8/SPX41	60	24	40	T8	Med BiPin	20000	4100	84	3350
G40081	F58T8/841/PLY/XLR	60	25	58	T8	Med BiPin	20000	4000	85	4940
<b>72" 35 Watt Instant Start Starcoat SERIES</b>										
G10829	F72T8/CW	72	24	35	T8	Single Pin	7500	4100	60	2730
G10835	F72T8/WW 6PK	72	6	35	T8	Single Pin	7500	3000	52	2820
<b>96" 59 Watt Extra-Life SPX Series</b>										
G68868	F96T8/XL/SPX30/2	96	24	59	T8	Single Pin	30000	3000	85	5650
G68869	F96T8/XL/SPX35/2	96	24	59	T8	Single Pin	30000	3500	85	5650
G68870	F96T8/XL/SPX41/2	96	24	59	T8	Single Pin	30000	4100	85	5650
G68871	F96T8/XL/SPX50/2	96	24	59	T8	Single Pin	30000	5000	82	5650
<b>GE T8HO PROGUARD PC</b>										
<b>96" 86 Watt Starcoat HO SPX Series</b>										
G12533	F96T8/SPX35/HO	96	24	86	T8	RDC	18000	3500	85	7800
G12534	F96T8/SPX41/HO	96	24	86	T8	RDC	18000	4100	85	7800
G12535	F96T8/SPX50/HO	96	24	86	T8	RDC	18000	5000	82	7800



# Safety Coated Fluorescent Lamps

## Certifications

### Encapsulite® Safety Coatings Comparison Chart

ULTRAGUARD	PROGUARD
DuPont FEP	Polycarbonate PC
Designed for T5, T5HO, T8 & T12 lamp types	Designed for standard T8 and T12 lamp types
Designed for Long Life Lamps in excess of 40,000 hours	Designed for lamps 24,000 hours or less
For use in open or closed fixtures including vapor or water proof fixtures	For use in open fixtures
Max ambient temperature is 400°F	Max Ambient temperature is 135°F
Excellent Chemical Resistance	Good Chemical Resistance (no ammonia or solvents)
Transmits UV Emissions	Blocks UV emissions (100-380nm)
UL recognized for Safety	UL recognized for Safety
UL EPH certified (Environmental and Public Health)	UL EPH certified (Environmental and Public Health)
Coating Warranty: Average Rated Life of Lamp	Coating Warranty: 1-Year

EncapSulite International's shatterproof safety coating is the leader in the lighting industry. The only safety coating UL Recognized for Safety and UL-EPH certified for environmental and public health. EncapSulite safety coated fluorescent lamps are acceptable for incidental food contact in federally inspected food, meat and poultry plants. The chemical constituents of the product and surface characteristics of the EncapSulite Safety Coatings are in compliance and meet current FDA, USDA and OSHA standards.

#### APPLICATIONS

Food processing areas, dairies, manufacturing areas, hospitals, bakeries, schools, gymnasiums, cafeterias, restaurants, poultry plants, and slaughter houses.

#### LOW COST - QUALITY PROTECTION

The design of the lamp requires no assembly and allows fast easy installation. The durable smooth coating is easy to clean with nothing more than a damp cloth. EncapSulite lamps are available in all lengths, T5 (5/8 inch), T6 (3/4 inch), T8 (1 inch), T10 (1-1/4 inch) and T12 (1-1/2 inch) diameters.

#### WE DELIVER

EncapSulite is committed to providing you with SOLUTIONS to your lighting requirements. EncapSulite products are problem solvers. You can be assured that EncapSulite will guarantee you fast, accurate delivery of your shatterproof fluorescent lamps.

#### COMPLIANCE DOCUMENTATION / LOW MERCURY CONTENT LAMPS / SAFETY & DISPOSAL OF ENCAPSULITE POLYMER SAFETY COATED LINEAR FLUORESCENT LAMPS

EncapSulite's linear fluorescent safety coatings are both UL Recognized & UL-EPH Certified: UL Recognized Safety Coating (UL File No. SA10645) - Safety and UL - EPH / Certification (UL File No. SA12675) - Food Applications

If in the rare case that an EncapSulite safety coated lamp is broken, virtually all of the glass, mercury and phosphors are contained inside the high temperature, high mechanical strength EncapSulite coating. Employees, products and manufacturing sites are totally protected. Disposal or recycling is safe and easy.

If an unprotected lamp is broken during maintenance, lamp changes or accidentally, your employees, food products and equipment can be exposed to broken glass, phosphors and mercury. Disposal of broken glass requires the handling of unprotected glass shards and other chemicals.

The EncapSulite ProGuard Coating also offers the additional benefit of blocking all UV transmission between 100 and 380 nanometers.

LLD - Lamp Lumen Depreciation - The unique EncapSulite polymer safety coatings reduce light (lumen) output by approximately 1 % when compared to an uncoated lamp.

EncapSulite purchases all of our linear fluorescent lamps from major NEMA manufacturers. The mercury content of the lamps that we safety coat has been reported and is on file with IMERC Interstate Mercury Education & Reduction Clearinghouse.

EncapSulite's Safety Coatings are in compliance with all FDA - USDA - OSHA regulations and the following regulations.

### **SANITATION REQUIREMENTS FOR MEAT AND POULTRY ESTABLISHMENTS CHAPTER 5. SECTION 1 - USDA**

USDA - "Lighting fixtures in rooms where exposed meat or poultry is handled should ensure maximum safety, to preclude contamination of products with broken glass and prevent collection of dirt, product and debris on lamp surfaces"

### **FDA PLANT CONSTRUCTION AND DESIGN - 110.20 SECTION B. PART 5**

FDA - Food Processing - "provide safety-type light bulbs, fixtures, skylights, or other glass suspended over exposed food in any step of preparation or otherwise protect against food contamination in case of glass breakage."

### **FDA FOOD CODE - CHAPTER 6. SECTION 202.11**

FDA - Food Service - "shielding of light bulbs helps prevent breakage. Light bulbs that are shielded, coated or otherwise shatter-resistant are necessary to protect exposed food, clean equipment, utensils and linens, and unwrapped single-use articles from glass fragments should the bulb break."

### **OSHA HAZARD BULLETIN - 19970715**

OSHA - Potential Fire Hazard with Fluorescent Light Bulbs with Plastic Tubes - "replace fluorescent light bulbs that were equipped with protective sleeve coverings and end caps with a shatterproof bulb that is easier to install, in order to eliminate this potential fire hazard."

---

### **ENCAPSULITE INTERNATIONAL INC. UNDERWRITERS LABORATORIES INC. - PHONE NUMBER (408) 985-2400 UL FILE NO. - SA10645 - UL FILE NO. - SA12675**

**Product Covered:** Component - "Miscellaneous Refrigeration Equipment: Fluorescent Lamp Tubing, Series Shatterproof ShardGuard Coating, also, shatterproof coating."

**General Description of Material:** "These plastic tubing's are safety-coated over fluorescent lamps in order to prevent the release of glass shards in case of impact. It is intended for indoor use only.

**Material Modifications:** "There shall be no changes in the formulation or composition of the material unless previously cleared through Underwriters Laboratories Inc."

**Product:** "Shatterproof Safety Coating and Shatter-Proof Coating are identical."

**UL Marking:** Recognized Company name, File No.SA10645, or trademark "ENCAPSULITE" and product designation on shipping carton or finished product.

**UL Marking:** UL EPH Classified "NSF Criteria C-2 or FDA Food Code, Chapter 4.

Engineering Considerations - (1) The product is identified in accordance with Marking given above. (2) The lamp tubing was evaluated for UL 94HB flammability test. Samples of the plastic tubing installed onto fluorescent lamp were subjected to this test. (3) The lamp tubing was subjected to a 0.75 ft-lb impact test per UL 471 - Eighth Edition. Paragraph 21.4.

The engineer must consider need to investigate the part for other than flammability and impact such as electrical or mechanical properties, in accordance with applicable UL end-product standard or requirements outlined in the Standard for Polymeric Materials - Use in Electrical Equipment Evaluations. UL 746C.



EncapSulite® International Inc. takes great pride in being the ONLY safety coater in the United States able to provide a coating that is both UL Recognized for Safety and UL-EPH Certified for Food Applications. The UL-EPH certification and the UL Recognized component recognition for the coating insure that we are in compliance with all FDA, USDA and OSHA requirements.

# PROMOLUX Shatterproof Fluorescent Lamps

Profitable Solutions for Lighting of Perishables



PROMOLUX lamps, the leader in perishable food industry lighting, are designed to enhance your perishable displays with fresh and natural colors through a balanced spectrum of light with high color definition and low glare. Health officials approve of PROMOLUX merchandising lamps. PROMOLUX lamps produce all colors as vibrant and distinct. EncapSulite® is your #1 source for safety coated PROMOLUX.

---

## **EYE APPEAL IS BUY APPEAL**

### **SEE FRESH PROFITS**

UV radiation "heats" food. This heating makes food look stale. Radiation also encourages dehydration, bacterial growth and oxidation. Promolux safety coated lamps, on the other hand, produce a "fresh" light that not only improves the appearance of perishables, it maintains freshness and longer shelf life, as well. The safety coating ensures that, if the lamp is broken, all the glass, phosphors and other chemicals are contained within the coating.

### **SEE TRUE COLOR AND INCREASED SALES**

Other lamps are too strong in the yellow and green segments of the color spectrum. Promolux lamps are more balanced with higher color definition and lower glare. Food looks more natural and appetizing. The whites are whiter. The reds are redder.

### **SEE THE DIFFERENCE**

No other lamp has a higher Color Preference Index (CPI). No other lamp is made with multiple coatings of high definition phosphors, special glass filters and produced with state-of-the-art technology.

### **SEE MORE PROFIT**

Promolux delivers fresh and delicious, healthy-looking, perishable displays; higher profits are assured through increased sales and less product shrinkage or spoilage. Many Promolux customers around the world claim improved product integrity alone pays for the lamps in less than three months.

### **SEE THE LIGHT**

There are no better lamps for perishable displays on the market. Promolux lamps are unique. Call EncapSulite today for Promolux safety coated lamps.

## MEDIUM BI-PIN T8 FLUORESCENT PLATINUM

PART NUMBER	ORDERING ABBREVIATION	LENGTH	PKG QTY
PLX14017	FO17 T8 - MBP	24	25
PLX14025	FO25 T8 - MBP	36	25
PLX14032	FO32 T8 - MBP	48	25
PLX14040	FO40 T8 - MBP	60	25
PLX14096	FO96 T8 - MBP	96	4

## SINGLE PIN T8 FLUORESCENT PLATINUM

For Meat, Seafood, Deli, Produce, Pastries, Floral (Electrically compatible to replace smaller diameter 3/4 T6 lamps of the same length)

PART NUMBER	ORDERING ABBREVIATION	LENGTH	PKG QTY
PLX13142	F42 T8 - SP	42	12
PLX13154	F54 T8 - SP	54	12
PLX13164	F64 T8 - SP	64	12
PLX13172	F72 T8 - SP	72	12

## T8 ELECTRONIC BALLAST FLUORESCENT GOLD

For Bakery, Doughnuts, Gold Toned Items

PART NUMBER	ORDERING ABBREVIATION	LENGTH	PKG QTY
PLX15017	FO17 T8	24	12
PLX15025	FO25 T8	36	12
PLX15032	FO32 T8	48	12
PLX15040	FO40 T8	60	12

## T5 SLIM LINE FLUORESCENT PLATINUM

For Meat, Seafood, Deli, Produce, Pastries, Floral

PART NUMBER	ORDERING ABBREVIATION	LENGTH	PKG QTY
PLX12514T	F14 T5 - MINI BP	22	12
PLX12521T	F21 T5 - MINI BP	34	12
PLX12528T	F28 T5 - MINI BP	46	12
PLX12535T	F35 T5 - MINI BP	58	12

## T5 HO FLUORESCENT PLATINUM

For Meat, Seafood, Deli, Produce, Pastries, Floral

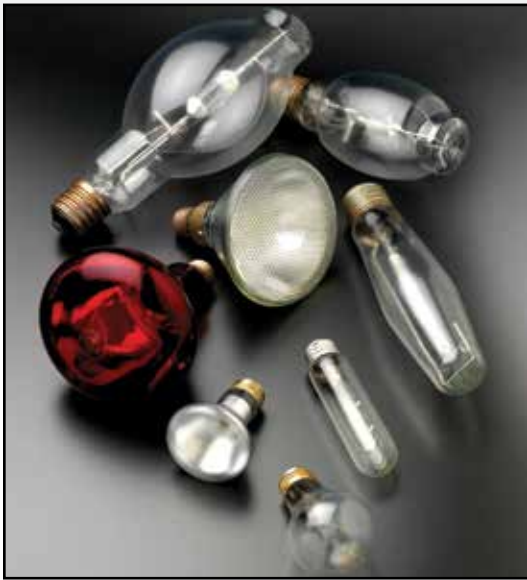
PART NUMBER	ORDERING ABBREVIATION	LENGTH	PKG QTY
PLX12539T	F39 T5 - MINI BP	34	12
PLX12580T	F80 T5 - MINI BP	58	12
PLX11020	F20 T12 - MBP	24	12
PLX11030	F30 T12 - MBP	36	12
PLX11040	F40 T12 - MBP	48	25
PLX11048	F48 T12 SL - SP	46	12
PLX11060	F60 T12 SL - SP	60	4
PLX11072	F72 T12 SL - SP	72	4
PLX11096	F96 T12 SL - SP	96	4
PLX11148	F48 T12 HO - RDC	46	12
PLX11160	F60 T12 HO - RDC	60	12
PLX11172	F72 T12 HO - RDC	72	4
PLX11196	F96 T12 HO - RDC	96	4

## PREHEAT T8 FLUORESCENT PLATINUM

For Meat, Seafood, Deli, Produce, Pastries, Floral (Tubes commonly found in display cases of European origin)

PART NUMBER	ORDERING ABBREVIATION	LENGTH	PKG QTY
PLX40100	L13 T8 - MBP	12	24
PLX40101	L15 T8 - MBP	18	25
PLX40102	L18 T8 - MBP	24	25
PLX40103	L30 T8 - MBP	36	25
PLX40104	L39 T8 - MBP	39	25
PLX40105	L36 T8 - MBP	48	25
PLX40106	L58 T8 - MBP	60	25

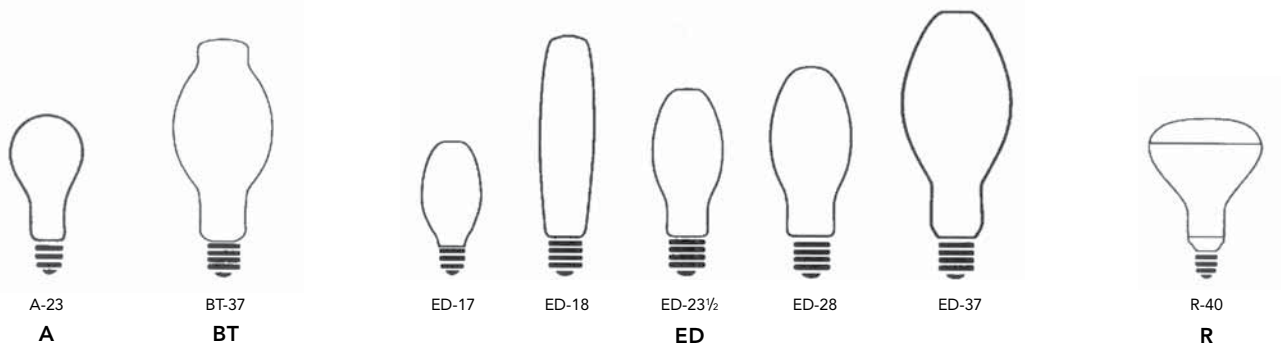
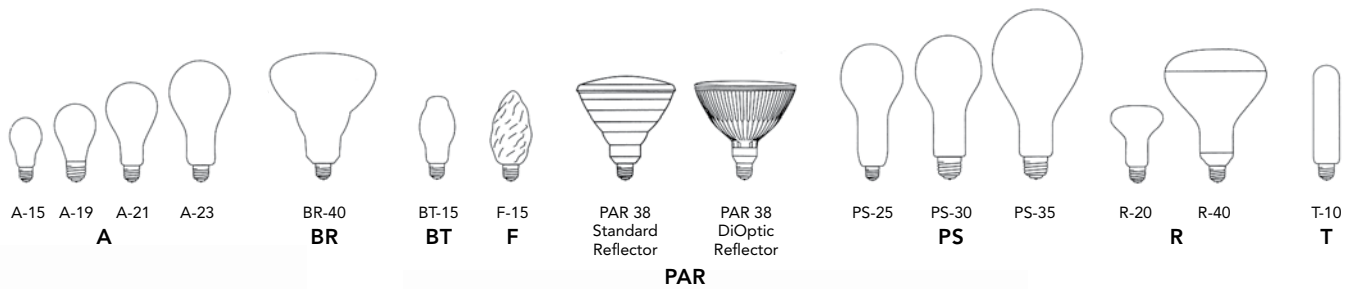
# ShardGuard PTFE Safety Coated Lamps



EncapSulite® International offers the highest quality, optically clear high temperature PTFE safety coating for use with HID, HPS, PAR 38 and Flood Lamps. Large selection for all applications. EncapSulite's ShardGuard Shatter Resistant PTFE coated lamps are acceptable for incidental food contact in federally inspected meat and poultry plants. The lamps are in compliance and meet current FDA, USDA and OSHA standards. EncapSulite's PTFE safety coating is designed not to crack or peel when used in normal operating conditions.

EncapSulite offers a selection of High Temperature PTFE Coated Incandescent and Metal Halide Lamps which will retain the glass fragments in the event of breakage. The EncapSulite ShardGuard coated bulbs provide the ultimate protection for your employees, customers and products from the hazards of glass contamination caused by impact, accidental dropping or thermal shock. EncapSulite's coating is designed for higher lamp temperatures. The chemical components and surface characteristics of EncapSulite's coated lamps are in compliance and meet current NSF, FDA, USDA and OSHA standards.

## BULB SHAPES (Not Actual Sizes)



## Safety Coated Incandescent HPS & Metal Halide Lamps

PRODUCT CODE	ORDERING ABBREVIATION	QTY.	WATTS	BULB	BASE	LAMP FINISH	OPERATING POSITION	AVG LIFE	CRI	CCT (K)	LUMENS
<b>R20 REFLECTOR SAFETY COATED</b>											
4180	50/R20/FL/CLEAR	60	50	R20	Medium	CLEAR	UNIVERSAL	5000	-	-	484
<b>BR30 REFLECTOR SAFETY COATED</b>											
4182	65/BR30/ FL/CLEAR	24	65	BR30	Medium	CLEAR	UNIVERSAL	5000	-	-	470
4184	85/BR30/FL/CLEAR	24	85	BR30	Medium	CLEAR	UNIVERSAL	5000	-	-	620
<b>BR38 REFLECTOR SAFETY COATED</b>											
4043	100/BR38/FL/SOFT/ CLEAR	24	100	BR38	Medium	CLEAR	UNIVERSAL	5000	-	-	-
<b>BR40 REFLECTOR SAFETY COATED</b>											
4157	75/BR40/FL/CLEAR	24	75	BR40	Medium	CLEAR	UNIVERSAL	5000	-	-	644
4158	100/BR40/FL/CLEAR	24	100	BR40	Medium	CLEAR	UNIVERSAL	5000	-	-	1094
4159	120/BR40/FL/CLEAR	24	120	BR40	Medium	CLEAR	UNIVERSAL	5000	-	-	901
4026	125/BR40/FL/CLEAR	4	125	BR40	Medium	CLEAR	UNIVERSAL	5000	-	-	-
4027	250/BR40/CLEAR	6	250	BR40	Medium	CLEAR	UNIVERSAL	5000	100	2850	2000
4028	250/BR40/10 RUBY RED	6	250	R40	Medium	RED	UNIVERSAL	5000	100	2850	-
4042	375/BR40 CLEAR	24	375	BR40	Medium	CLEAR	UNIVERSAL	5000	100	2850	-
<b>PAR38 REFLECTOR SAFETY COATED</b>											
S16587	60PAR38/HAL/IR/ NFL25/DL	6	60	PAR38	Medium	CLEAR	UNIVERSAL	3000	100	2850	1100
S16594	80PAR38/HAL/IR/ NFL25/DL	10	80	PAR38	Medium	CLEAR	UNIVERSAL	3000	100	2900	1545
S16748	80PAR38/HAL/S/NFL25	10	80	PAR38	Medium	CLEAR	UNIVERSAL	3000	100	2950	1545
S16751	80PAR38HALSWFL50	10	80	PAR38	Medium	CLEAR	UNIVERSAL	3000	100	2950	1545
<b>A15 SAFETY COATED</b>											
4033	40/A15-VIB/CLEAR	6	40	A15	Medium	CLEAR	UNIVERSAL	5000	-	-	-
4034	60/A15-VIB/CLEAR	6	60	A15	Medium	CLEAR	UNIVERSAL	5000	-	-	-
<b>A19 SAFETY COATED</b>											
4035	40/A19-VIB/CLEAR	6	40	A19	Medium	CLEAR	UNIVERSAL	5000	-	-	-
4036	50/A19 ROUGH/CLEAR	6	50	A19	Medium	CLEAR	UNIVERSAL	5000	-	-	-
4037	60/A19 ROUGH/CLEAR	6	60	A19	Medium	CLEAR	UNIVERSAL	5000	-	-	519
4038	75/A19 ROUGH/CLEAR	6	75	A19	Medium	CLEAR	UNIVERSAL	5000	-	-	644
4039	100/A19 ROUGH/ CLEAR	6	100	A19	Medium	CLEAR	UNIVERSAL	5000	-	-	1094
<b>A21 SAFETY COATED</b>											
4171	75/A21/CLEAR	120	75	A21	Medium	CLEAR	UNIVERSAL	5000	-	-	644
4040	100/A21/CLEAR	120	100	A21	Medium	CLEAR	UNIVERSAL	5000	-	-	-
<b>PS25 SAFETY COATED</b>											
4175	150/PS25/CLEAR	60	150	PS25	Medium	CLEAR	UNIVERSAL	5000	-	-	-
4176	200/PS25/CLEAR	60	200	PS25	Medium	CLEAR	UNIVERSAL	5000	-	-	2337
4177	300/PS25/CLEAR	60	300	PS25	Medium	CLEAR	UNIVERSAL	5000	-	-	3933
<b>SPECIALTY SAFETY COATED</b>											
4161	40-T10/CLEAR	60	40	T10	Medium	CLEAR	UNIVERSAL	1000	-	-	435
4162	60-T10/CLEAR	60	60	T10	Medium	CLEAR	UNIVERSAL	1000	-	-	-
5002	BC-60BT15CL-P249243	10	60	BT15	Medium	CLEAR	UNIVERSAL	3000	-	-	900
4121	60B10BL-13442/CLEAR	12	60	B10- Candelabra	Medium	CLEAR	UNIVERSAL	1500	100	2850	-
4163	60-F15/CLEAR	24	60	Candelabra	Medium	CLEAR	UNIVERSAL	1500	100	2850	690

CONTINUED...

## Safety Coated Incandescent HPS & Metal Halide Lamps (continued)

PRODUCT CODE	ORDERING ABBREVIATION	QTY.	WATTS	BULB	BASE	LAMP FINISH	OPERATING POSITION	AVG LIFE	CRI	CCT (K)	LUMENS
<b>SYLVANIA HIGH PRESSURE SODIUM</b>											
4101	LU35-67500/CLEAR	20	35	E17/HPS	E26MED	CLEAR	UNIVERSAL	16000	22	1900	2050
4102	LU50-67502/CLEAR	20	50	E17/HPS	E26MED	CLEAR	UNIVERSAL	16000	21	1900	3600
4103	LU70-67504/CLEAR	20	70	E17/HPS	E26MED	CLEAR	UNIVERSAL	16000	22	1900	5350
4104	LU100-67506/CLEAR MED	20	100	E17/HPS	E26MED	CLEAR	UNIVERSAL	16000	22	2100	8000
4106	LU100/ECO-67514/ CLEAR	20	100	ET23.5/HPS	E39 MOGUL	CLEAR	UNIVERSAL	30000	22	2100	7150
4105	LU150/55/MED-67508/ CLEAR	20	150	E17/HPS	E26MED	CLEAR	UNIVERSAL	30000	22	2100	13400
4107	LU150/55/ECO-67516/ CLEAR	20	150	ET23.5/HPS	E39 MOGUL	CLEAR	UNIVERSAL	30000	22	2100	12230
4079	LU250/ECO-67578/ CLEAR	20	250	ET18/HPS	E39 MOGUL	CLEAR	UNIVERSAL	30000	22	2100	24700
4080	LU400/ECO-67533/ CLEAR	20	400	ET18/HPS	E39 MOGUL	CLEAR	UNIVERSAL	30000	22	2100	40300
<b>SYLVANIA HIGH PRESSURE SODIUM PLUS</b>											
4100	LU70/PLUS/ECO- 67497/CLEAR	20	70	ET23.5/HPS	E39 MOGUL	CLEAR	UNIVERSAL	40000	22	1900	5020
4108	LU100/PLUS/ECO- 67559/CLEAR	20	100	ET23.5/HPS	E39 MOGUL	CLEAR	UNIVERSAL	40000	22	2100	7940
4098	LU150/55/PLUS/ECO- 67494/CLEAR	20	150	ET23.5/HPS	E39 MOGUL	CLEAR	UNIVERSAL	40000	22	2100	14010
4099	LU200/PLUS/ECO- 67495/CLEAR	20	200	ET18/HPS	E39 MOGUL	CLEAR	UNIVERSAL	40000	22	2100	19030
4109	LU250/PLUS/ECO- 67572/CLEAR	20	250	ET18/HPS	E39 MOGUL	CLEAR	UNIVERSAL	40000	22	2100	26200
4188	LU400/PLUS/ECO- 67312/CLEAR	20	400	ET18/HPS	E39 MOGUL	CLEAR	UNIVERSAL	40000	22	2100	42740
<b>SYLVANIA PULSE START - HIGH OUTPUT, REDUCED COLOR SHIFT METAL HALIDE (MH) FOR ENCLOSED FIXTURES</b>											
5030	M250/PS/U (5030)	6	250	BT28	E39MOGUL	CLEAR	UNIVERSAL	15000	65	3800	15400
4204	MS250/PS/BU ONLY	6	250	BT28	E39MOGUL	CLEAR	BU +-15	20000	65	4200	17000
4088	MS320/PS/BU-HOR	6	320	BT28	E39MOGUL	CLEAR	BU-HOR	20000	65	4300	21000
5000	MS400/PS/BU-ONLY BT28	6	400	BT28	E39MOGUL	CLEAR	BU +-15	20000	65	4100	32500
4089	MS400/PS/BU-ONLY	6	400	BT37	E39MOGUL	CLEAR	BU +-15	20000	65	4000	35700

CONTINUED...

## Safety Coated Incandescent HPS & Metal Halide Lamps (continued)

PRODUCT CODE	ORDERING ABBREVIATION	QTY.	WATTS	BULB	BASE	LAMP FINISH	OPERATING POSITION	AVG LIFE	CRI	CCT (K)	LUMENS
<b>SYLVANIA PRO-TECH PULSE START - HIGH OUTPUT METAL HALIDS FOR OPEN AND ENCLOSED FIXTURES</b>											
4091	MP50/U/MED	20	50	E17	EX26MED	CLEAR	UNIVERSAL	20000	70	3000	1900
4090	MP70/U/MED	20	70	E17	EX26MED	CLEAR	UNIVERSAL	15000V	75	3000	3400
4084	MP100/U/MED	20	100	E17	EX26MED	CLEAR	UNIVERSAL	15000	75	3000	5525
4082	MP150/U/MED	20	150	E17	EX26MED	CLEAR	UNIVERSAL	15000	75	3000	8000
5003	MP250/PS/BU-ONLY	6	250	BT28	EX39Excl MOGUL	CLEAR	BU+-15	15000	65	4000	17000
4081	MP320/350/PS/BU- ONLY BT28	6	320/ 350	BT28	EX39Excl MOGUL	CLEAR	BU+-15	20000	65	3800	21000
5001	MP350/400/PS/BU- ONLY	6	350/ 400	BT37	EX39Excl MOGUL	CLEAR	BU+-15	20000	65	3700	24500
<b>SYLVANIA PRO-TECH - PROBE START METAL HALIDS FOR OPEN OR ENCLOSED FIXTURES</b>											
4058	MP175/BU-ONLY	6	175	BT28	EX39Excl MOGUL	CLEAR	BU+-15	10000	65	4000	10200
4059	MP250/BU-ONLY	6	250	BT28	EX39Excl MOGUL	CLEAR	BU+-15	10000	65	4000	17000
4060	MP400/BU-ONLY	6	400	BT37	EX39Excl MOGUL	CLEAR	BU+-15	20000	65	3600	26000
4095	MP400/C/BU-ONLY	6	400	BT37	EX39Excl MOGUL	COAT- ED- WHITE	BU+-15	20000	70	3400	25000
<b>SYLVANIA SUPER LAMPS - POSITION DEDICATED PROBE START METAL HALIDS - FOR ENCLOSED FIXTURES</b>											
4085	MS400/BU-ONLY	6	400	BT37	E39MOGUL	CLEAR	BU+-15	20000	65	4000	26000
<b>SYLVANIA SUPERSAVER LAMPS - ENERGY SAVING PROBE START MH - DIRECT RETROFIT FROM STANDARD 175W AND 400W SYSTEMS</b>											
4093	MS360/SS/BU-HOR	6	360	BT37	E39MOGUL	CLEAR	BU-HOR	20000	65	4000	23500
4120	MSP360/SS/BU-ONLY	6	360	BT37	EX39MOGUL	CLEAR	BU+-15	20000	65	4000	23500
<b>SYLVANIA STANDARD PROBE START MH LAMPS</b>											
4134	M175/U/MED	20	175	E17	E26MED	CLEAR	UNIVERSAL	10000	65	4000	9300
4075	M175/U	6	175	BT28	E39MOGUL	CLEAR	UNIVERSAL	10000	65	4200	9300
4053	M250/U	6	250	BT28	E39MOGUL	CLEAR	UNIVERSAL	20000	65	4200	15000
4086	M400/U/BT28	6	400	BT28	E39MOGUL	CLEAR	UNIVERSAL	20000	65	4000	25500
4144	M400/C/U/BT28	6	400	BT28	E39MOGUL	COAT- ED- WHITE	UNIVERSAL	20000	70	3600	22500
4048	M400/U	6	400	BT37	E39MOGUL	CLEAR	UNIVERSAL	20000	65	4000	23500

# PolarGuard Low Temperature Jacketed Lamps



The Original Shatterproof Safety Jacketed HO (800ma) & VHO (1500 ma) Low Temperature Fluorescent Lamps. Unique design permits the use of standard, HO & VHO fluorescent lamps in low temperature applications (Must be used in Freezer Applications Only). EncapSulite® PolarGuard Safety Jacketed Lamps are in compliance and meet current FDA, USDA and OSHA standards.

## POLARGUARD SAFETY JACKETED HO (800MA) & VHO (1500MA) LOW TEMPERATURE FLUORESCENT LAMPS

Insulation properties that permit the use of T5, T8, and T12 HO & VHO Fluorescent Lamps in Low Temperature applications. Low Temperature applications - Not for use in applications with ambient temperatures **above** 10°C (50°F). EncapSulite Safety Jacketed Lamps are designed to provide maximum protection and containment of glass, phosphors and mercury within the shatterproof jacket. EncapSulite Safety Jacketed Lamps are in compliance and meet current FDA, USDA and OSHA standards.

Typical Applications: Supermarket Freezers and Low Temperature Display Cases

PRODUCT CODE	ORDERING ABBREVIATION	LAMP LENGTH (inches)	PKG. QTY.	WATTS	TYPE	PIN	AVG RATED LIFE	CCT (K)	CRI
<b>T5 HO POLARGUARD</b>									
S20904J	FP54/835/HO/ECO	48	25	54	T5	Mini BiPin	40000	3500	85
S20906J	FP54/841/HO/ECO	48	25	54	T5	Mini BiPin	40000	4100	85
S20949J	FP54/850/HO/ECO	48	25	54	T5	Mini BiPin	40000	5000	85
S21071J	FP54/835/HO/SS/ECO 50 WATT	48	25	50	T5	Mini BiPin	40000	3500	85
S20964J	FP54/841/HO/SS/ECO 50 WATT	48	25	50	T5	Mini BiPin	40000	4100	85
S21072J	FP54/850/HO/SS/ECO 50 WATT	48	25	50	T5	Mini BiPin	40000	5000	85
<b>T8 POLARGUARD</b>									
S21763J	FO32/835/XP/ECO	48	25	32	T8	Med Bipin	40000	3500	85
S21767J	FO32/841/XP/ECO	48	25	32	T8	Med Bipin	40000	4100	85
S22026J	FO32/850/XP/ECO	48	25	32	T8	Med Bipin	40000	5000	85
S24729J	L58W/840/	58	25	60	T8	Med Bipin	20000	4000	80
S20804J	L70W/840/	70	25	70	T8	Med Bipin	15000	4000	80
<b>T8 HO POLARGUARD</b>									
P236794J	F48T8/TL841/HO/ALTO	48	25	44	T8	RDC	30000	4100	85
S22206J	F096/835/HO/ECO	96	24	86	T8	RDC	27000	3500	85
S22207J	F096/841/HO/ECO	96	24	86	T8	RDC	27000	4100	85
<b>T12 HO POLARGUARD</b>									
S25146J	F48T12/CW/HO	48	30	60	T12	RDC	12000	4200	60
S25126J	F60T12/CW/HO	60	30	75	T12	RDC	12000	4200	60
S25176J	F72T12/CW/HO	72	15	85	T12	RDC	12000	4200	60
S25384J	F84T12/CW/HO	84	15	100	T12	RDC	12000	4200	60
S25134J	F96T12/CW/HOCT	96	15	110	T12	RDC	12000	4200	60
<b>T12 VHO POLARGUARD</b>									
S25209J	F96T12/CW/VHO	96	15	215	T12	RDC	10000	4200	60
S25248J	F48T12/CW/VHO	48	30	115	T12	RDC	10000	4200	60

# Shatterproof Gold Semiconductor Fluorescent Lamps

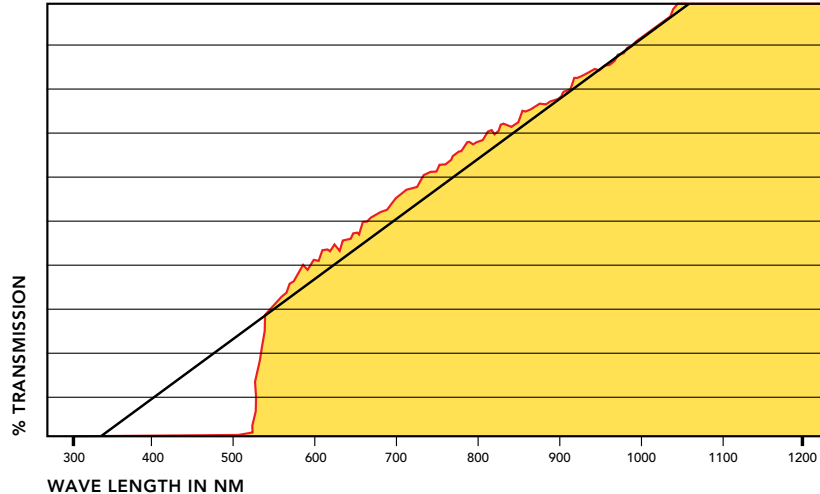
EncapSulite® PC Yellow/Gold Safety Coated Fluorescent Lamps



EncapSulite has developed safety fluorescent lamp coatings designed specifically for the semiconductor industry. Low cost – High efficiency. The PC Gold safety coated lamps block all emissions below 520 nanometers. The gold safety coating provides maximum safe illumination. The coatings provide excellent mechanical strength to retain the glass fragments in the event of breakage. The coatings will not crack, peel or flake with age. The PC Gold Lamps are available in T5, T8 and T12 lamp diameters. Time tested and used by semiconductor plants nationwide. The only UL Recognized fluorescent safety lamp coating for the semiconductor industry. Passes the UL94HB flammability test for safety.

## ENCAPSULITE GOLD SEMICONDUCTOR PET SAFETY COATING

UV Spectrophotometric Data



PRODUCT CODE	ORDERING ABBREVIATION	LAMP LENGTH (inches)	PKG. QTY.	WATTS	TYPE	PIN	AVG RATED LIFE
<b>SYLVANIA T5 GOLD SEMICONDUCTOR</b>							
S20908G	FP14/835/ECO/GOLD	24	40	14	T5	Mini BiPin	22000
S20921G	FP21/835/ECO/GOLD	36	40	21	T5	Mini BiPin	22000
S20901G	FP28/835/ECO/GOLD	48	40	28	T5	Mini BiPin	36000
<b>SYLVANIA T8 GOLD SEMICONDUCTOR</b>							
S22136G	FO17/835/ECO/GOLD	24	30	17	T8	Med BiPin	30000
S22139G	FO25/835/ECO/GOLD	36	30	25	T8	Med BiPin	30000
S21779G	FO32/835/ECO/GOLD	48	30	32	T8	Med BiPin	30000
<b>SYLVANIA T12 GOLD SEMICONDUCTOR</b>							
S24588G	F34/CWX/ECO/GOLD	48	30	34	T12	Med Bi Pin	28800



# Terms & Conditions of Sale

---

## **WARRANTY**

EncapSulite® Safety Lighting Products are warranted against defects in materials and workmanship. This warranty does not include transportation or handling costs.

This warranty does not apply if the merchandise has been damaged by accident, misuse, application beyond that stated, or as a result of service by other than EncapSulite International. No other warranty is expressed or implied. EncapSulite International is not liable for consequential damage.

## **TERMS OF PAYMENT**

All accounts are due NET 30 days from the date of invoice. EncapSulite International reserves the right to withhold shipments if the buyer fails to comply with credit policies. EncapSulite International accepts: MasterCard, Visa & American Express.

## **PRICING POLICIES**

EncapSulite International's published price lists are suggested prices only. All prices are subject to change without notice. Actual prices are determined by the authorized EncapSulite International distributor.

## **ENCAPSULITE RETURN POLICY**

Custom manufactured items are non-returnable unless defective in quality or workmanship. Call or fax our customer service department for a RGA - Return Goods Authorization - within 30 days of receipt of merchandise. Delisted or discontinued items may not be returned for credit. Products returned that were shipped correctly will be credited at invoice value less a 20% restocking charge and all freight charges.

## **CLAIMS**

Upon acceptance by the carrier, title to material passes to consignee. All claims for loss or breakage, concealed or otherwise, for shipments accepted by consignee must be against the carrier by the consignee. EncapSulite International Inc. will handle claims of damaged shipments refused by consignee.

## **ADDITIONAL INFORMATION**

For additional terms, conditions and information, contact the factory or your EncapSulite distributor.

Visit our website at [www.encapsulite.com](http://www.encapsulite.com).

## **ORDERING INFORMATION**

For Order Placement or  
Technical Assistance.

## **US FACTORY & OFFICE**

EncapSulite International Inc.

1220 Bamore Road

Rosenberg, Texas 77471

**P** (281) 239-0225

**F** (281) 239-0980

**TF** (877) 227-8756

**E** [info@encapsulite.com](mailto:info@encapsulite.com)

**W** [www.encapsulite.com](http://www.encapsulite.com)



EncapSulite®

**EncapSulite International Inc., US Factory & Office**

1220 Bamore Road  
Rosenberg, Texas 77471  
**P** (281) 239-0225  
**F** (281) 239-0980  
**TF** (877) 227-8756  
**E** [info@encapsulite.com](mailto:info@encapsulite.com)  
**W** [www.encapsulite.com](http://www.encapsulite.com)

**EncapSulite International, Limited, UK Factory & Office**

Unit 17, Chartwell Business Park  
Chartmoor Road, Leighton Buzzard  
Bedfordshire, LU7 4WG  
**P** 0114 1525 376974  
**F** 0114 1525 850306  
**E** [reply@encapsulite.co.uk](mailto:reply@encapsulite.co.uk)  
**W** [www.encapsulite.co.uk](http://www.encapsulite.co.uk)