



FHSCP-UNV-10W-BLS-SD



Emergency LED Driver

- Universal Voltage: 120-277V~
- Output Voltage Range: 15-55V $\overline{=}$
- Output Current: 181-666mA
- Output Wattage: 10W
- Output Type: LED Class 2
- Number of Output Channels: 1 Channel
- Dry and Damp

General Specifications

Input Voltage / Frequency	120-277V~, 50/60Hz
Input Current	0.1A Max
Input Power	5W Typical
Maintain Power	<0.85W
Input Power Pass-Through Rating (AC Driver Line)	5A
Max Output Rating (LED+ LED-Terminal)	3A Max
	55V Max
Output Power	10W
Voltage Range	15-55V $\overline{=}$
Current Rated	181-666mA
Number of Output Channels	1Channel
Input Surge Protection	3KV/6KV Ring wave, 1KV/2KV Combine surge
Test Switch	Bi-Color Wet Location Test Switch (FHS-TSTWL-BC)
Protections	Output Open Protection
	Output Overload Protection
	Output Short Circuit Protection
RFI/EMI	FCC Part15A
Ambient Operating Temperature Range	0°C To 55°C (32°F To 131°F) (\leq 10W)
Tc	62°C (143. 6°F)
Sound Rating	A
Battery Type	Lithium-ion
Battery Voltage	10. 95V
Pack Capacity	2600mAh
Battery Rating	28.47Wh
Battery Count	3 Cells
Battery Recharge Time	24 Hours
Battery Discharge Time	Min 1.5 Hours
IP Rating	IP20
Test Switch Remote Mounting Distance	20' (6m) Max.
Test Switch Remote Control Distance	16' (5m) Max.
Service Life	50,000 hours @Tc 62°C (143. 6°F)
Warranty	@Tc 62°C (143. 6°F) 5 Years From the date of manufacture when properly installed
Safety Standard	UL 924, UL 1310, CSA C22.2 No.141

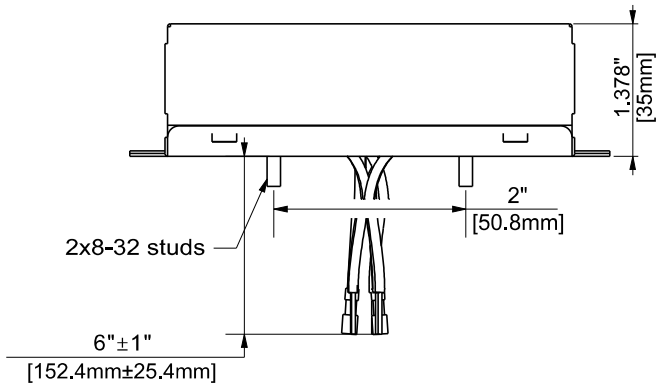


FHSCP-UNV-10W-BLS-SD



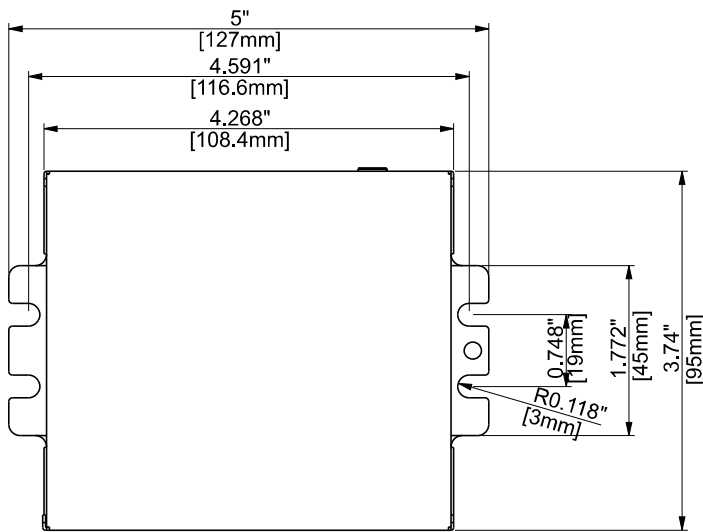
Mechanical Data

Side View

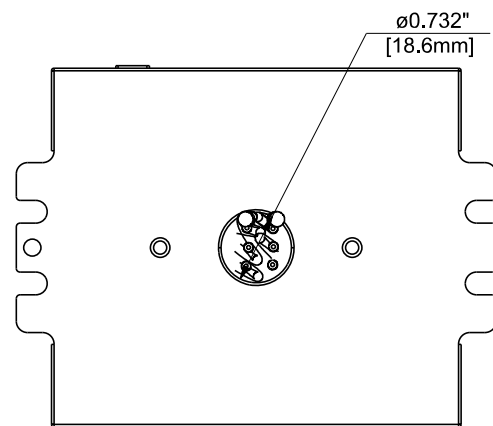


Overall Dimensions	
Length	5" [127mm]
Width	3.74" [95mm]
Height	1.378" [35mm]

Front View



Back View



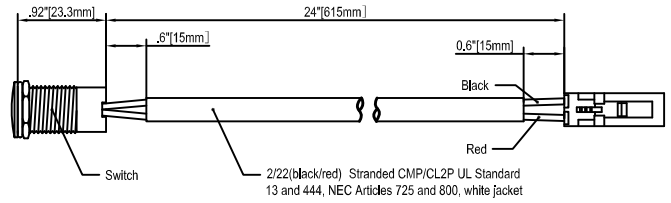


FHSCP-UNV-10W-BLS-SD

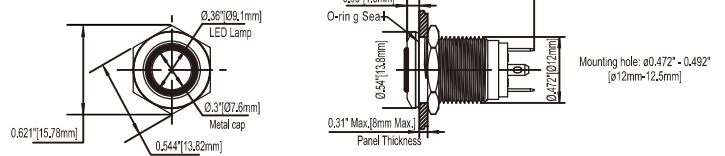


Standard Accessories

Bi-Color Wet Location Test Switch: FHS-TSTWL-BC

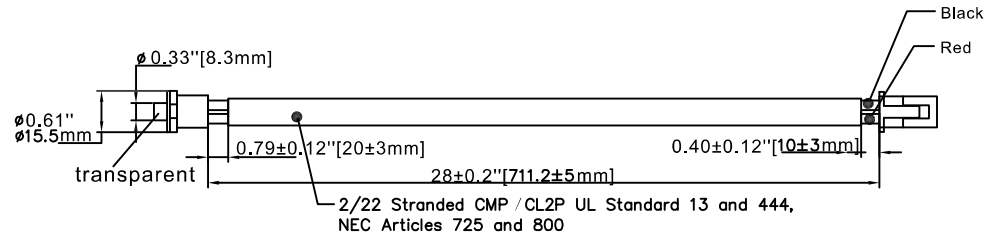


Overall Switch Dimension



Optional Accessories

Test switch wire: FHS-TST-BC (IP20)





FHSCP-UNV-10W-BLS-SD



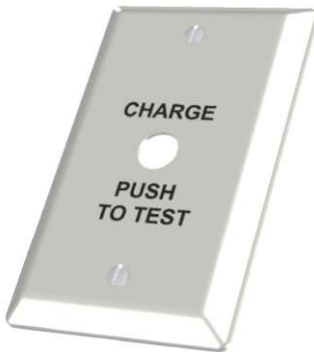
Optional Accessories

Wall Plate: FHSWLPWH

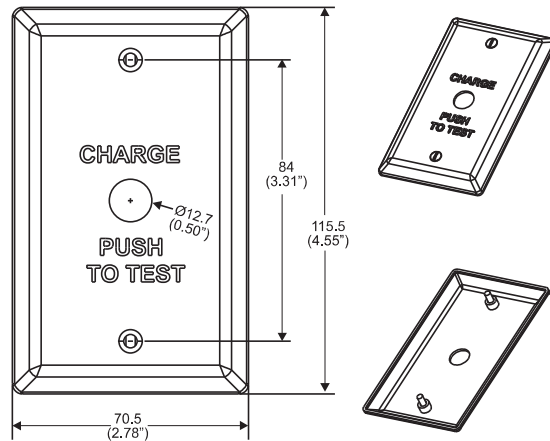


Wall plate and screw color:
white with black lettering

Wall Plate: FHSWLPPWH (Pure White Wall Plate)



Wall plate and screw color:
Pure white with black lettering



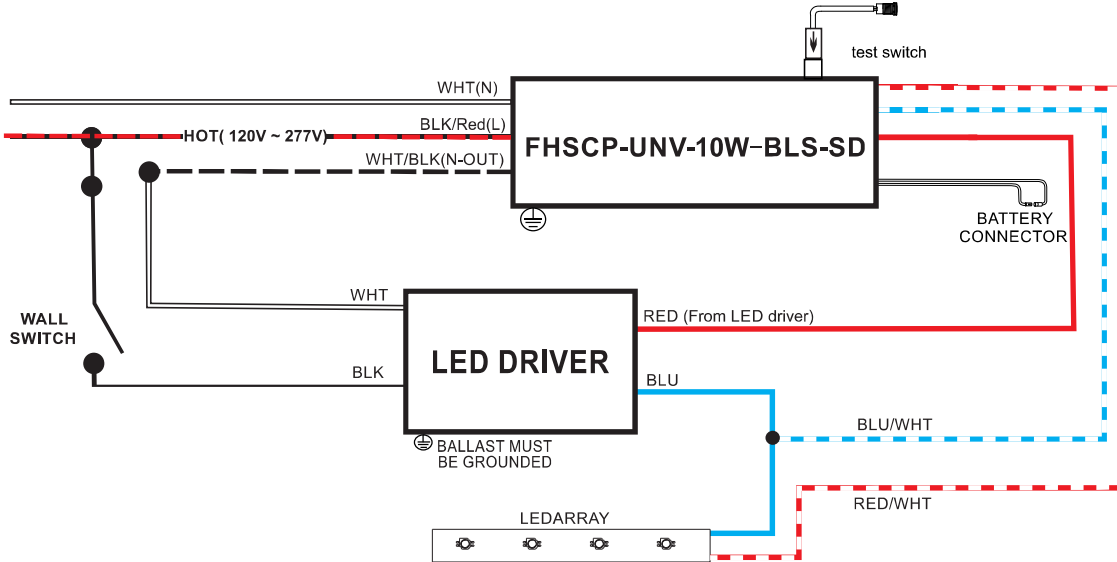
1. "Charge push to Test" plate
2. (2) 6-32 x 1/2" LG mounting screws



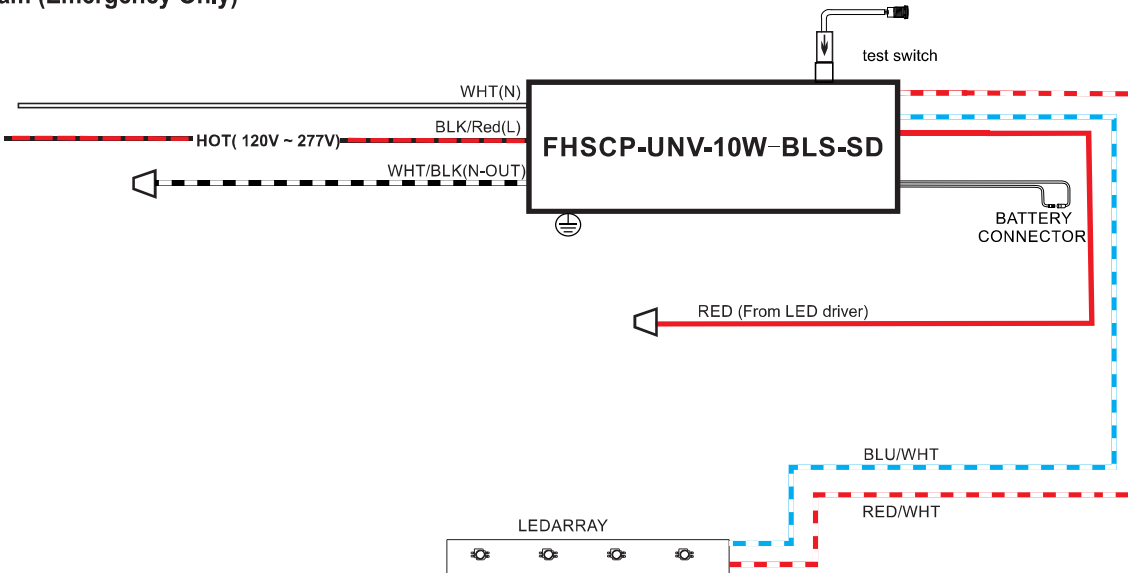
FHSCP-UNV-10W-BLS-SD



Wiring Diagram



Wiring Diagram (Emergency Only)





FHSCP-UNV-10W-BLS-SD



SELF-DIAGNOSTIC INSTRUCTIONS / OPERATION:

If the self-diagnostic feature is enabled:











The emergency LED driver will conduct a self-check for sixty(60) seconds every thirty(30) days; and a ninety(90) minutes self-check every 12 months. After every self-check the LED indicator light will indicate a status signal. Check indicator status chart below to diagnose the status signal.

If the self-diagnostic feature is disabled:

User must conduct a manual test every thirty (30) days to ensure the emergency LED light source illuminates as intended. A full discharge test shall be conducted once a year; the LED light source shall illuminate for a minimum of ninety (90) minutes.

***Self-Diagnostic feature is factory enabled**

TEST SWITCH INDICATOR STATUS:

LED Indicators Status	EM Driver Status / Mode
 Solid Green	System OK / AC OK (Self-Diagnostic Enabled or Disabled)
 Slow Flashing Red, 4s on / 1s off	Battery NOT detected, check battery switch or connection
 Flashing Red, 1s on / 1s off	Battery Failure, replace battery
 Flashing Green, 1s on / 1s off	Self-Diagnostic test underway
 Slow Flashing Green, 0.1s on / 3s off	Normal working in EM mode
 Solid Red	No load or output over voltage protection triggered , Check LED connection
 Flashing 0.5s on/3s off	Self-diagnose process current fault/The battery voltage is abnormal
 Solid Red	Over Current Protection
 Flashing Green, 2s on/0.5s off	Enables Self-diagnosis
 Flashing Green, 0.5s on/2s off	Cancel self-diagnosis

TEST SWITCH OPERATIONS

EM Test:

Press and hold the test button (>1s) to enter EM mode in normal AC powered.

Manual Self-Diagnostic:

After charging twelve (12) hours at least, quickly press the test button three(3) times to force the controller to enter Self-Diagnostic cycle and discharge for 90 minutes. To quit the Self-Diagnostic cycle after engaged, press and hold the test button for three (3) seconds.

Query Self-Diagnostic Status:

Fast click 2 times within 2s to query the Self-Diagnostic status. The indicator would blink for current status for 3 cycles. 2s ON/0.5s OFF stands for Enabled. 0.5s ON/2s OFF stands for Disabled.

How to Enable and Disable Self-Diagnostic Status:

Press and hold the test button for one second, then release, and press and hold the test button for 2 seconds.

Cancel reporting error:

In standby, press and hold the button for about 5s to cancel the error indication.

Emergency Battery Disconnect:

Press and hold the test switch for 5 seconds during EM output condition to turn off EM output. This is useful for production environment to turn off the EM output once a luminaire has completed functionality testing.



FHSCP-UNV-10W-BLS-SD



Guidelines

Grounding

- Driver must be grounded by means of the Driver case.

LED load

- Fulham's Hotspot Constant Power Emergency LED drivers are designed to drive passive LEDs, -COB's and -LED assemblies. Proper function is not guaranteed when (LED) loads with active components are used.

Mounting / Cooling

- Above an output power of 10W, the driver needs to be mounted on a heat conductive surface of at least 200cm². Always test if the surface is sufficient enough before installing the driver.

Short-circuit protection

- In case of a short circuit the LED driver switches to protection mode. After the removal of the short-circuit the LED driver will recover automatically.

No-load Operation

- In no-load operation the output voltage will not exceed the specified open circuit output voltage.

Hot Swapping

- This driver does not support hot swapping of the LEDs

Remote Mounting

- Up to 20ft with 18AWG. Contact Fulham for higher remoute distance.

Battery Maintenance

- In order to maintain proper operation and warranty coverage, the battery must be recharged once per year prior to installation.

Warranty

- Reference Fulham's limited Warranty: <https://cdn.fulham.com/PDFs/Limited-Warranty.pdf>



FHSCP-UNV-10W-BLS-SD



Part Number Matrix

FHS

LED Driver

FHS = Fire Horse EM Driver

CP

Output Type

CP= Constant Power

UNV

Input Voltage

UNV= 120V-277V

10W

Power

10= 10W

BLS

Characteristic

BLS= Back Side Wire

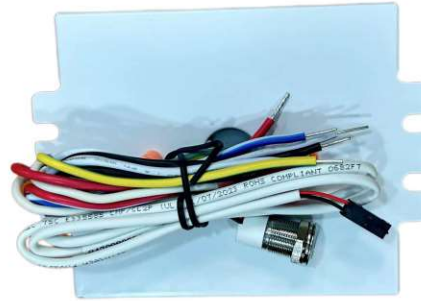
SD

Special Features

SD= Self Diagnostic

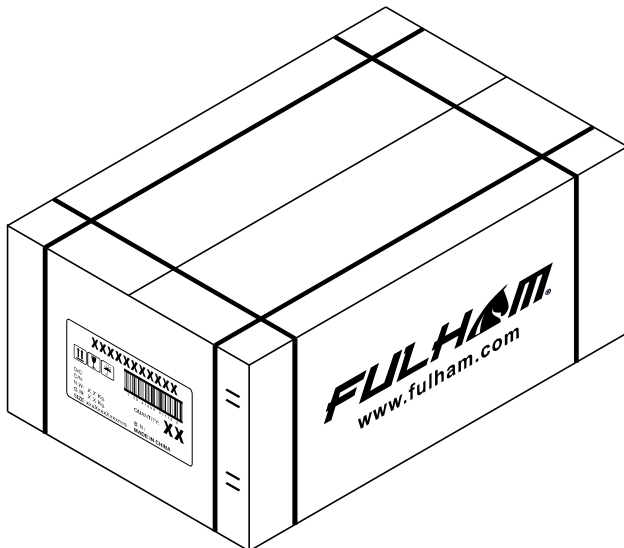
Product Image: LED Driver

FHSCP-UNV-10W-BLS-SD



Packaging

Master Carton



OUTER DIMENSION		
L	W	H
18.27"(464mm)	14.33"(364mm)	7.48"(190mm)
Net Weight	Gross Weight	QUANTITY
11.02lbs 5kg	14.33lbs 6.5kg	10pcs